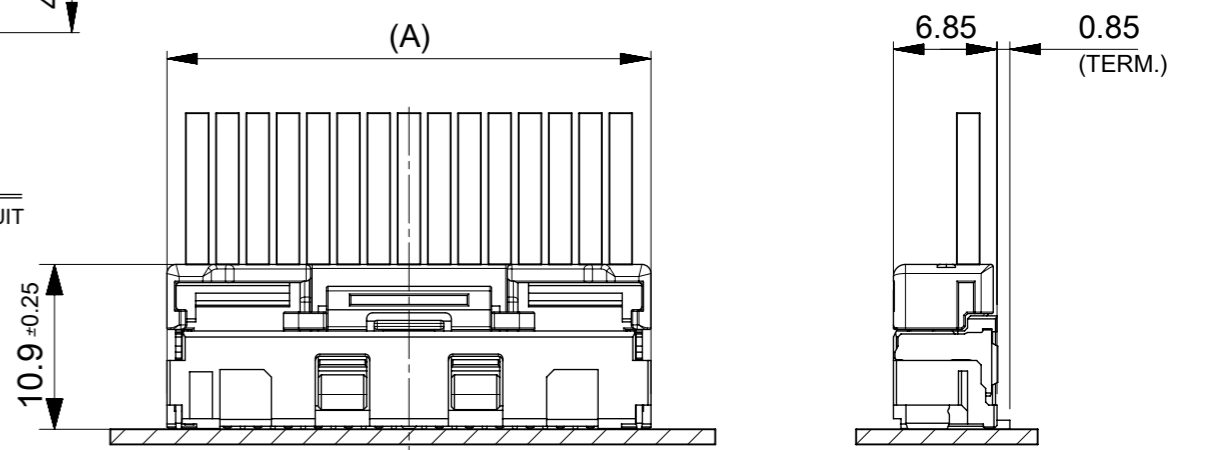
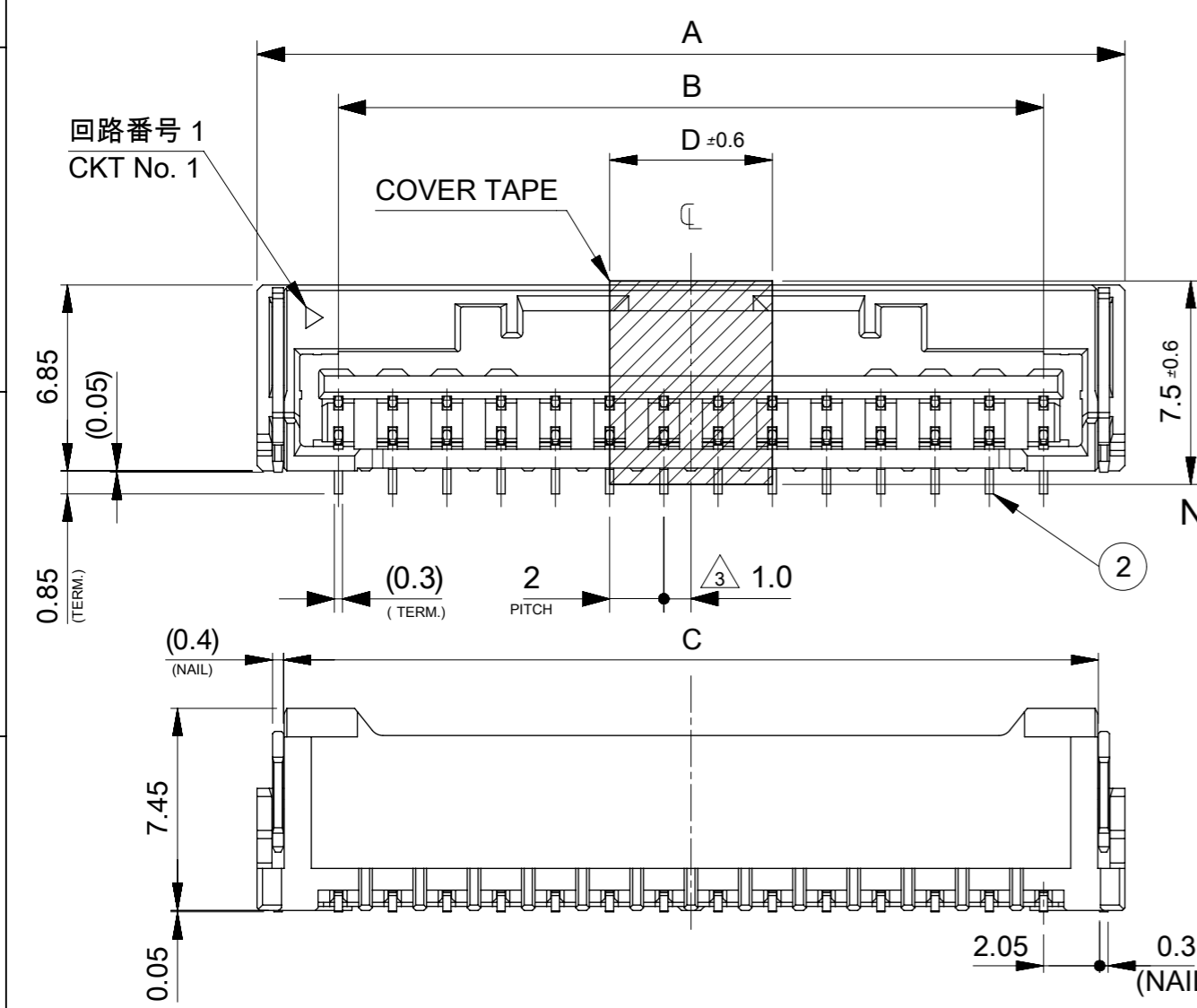


2~5極カバーテープ形状
COVER TAPE FIGURE OF 2-5 CIRCUIT



嵌合図 MATED CONNECTOR
(SCALE : 2-1)



NOTES

1. 嵌合相手 : 502439-**00
MATE WITH : 502439-**00
2. 端子テール部 及び ネイルの平坦度: 0.1MAX
TAIL AND NAIL COPLANARITY TO BE 0.1 MAX.
3. 極数/2 = 偶数に適用
APPLY FOR CKT. SIZE /2 = EVEN.
4. 端子テール部 及び ネイルに錫めっきを使用しているため、
外觀に摺動痕が付く場合がございます。
THE WOUND OF FRICTION MIGHT ADHERE TO EXTERNALS
BECAUSE THE TIN PLATING IS USED FOR THE NAIL AND NAIL.
5. 本製品のプラスチック部に黒点等が確認される場合や
色合いが異なる場合がありますが、製品性能に影響はありません。
THE BLACK SPOT ETC. MIGHT BE CONFIRMED TO THE PLASTIC PART
OF THIS PRODUCT AND THE SHADE MIGHT BE DIFFERENT.
6. 梱包形状詳細については、5024431570PSD000を参照下さい。
PLEASE REFER TO 5024431570PSD000 FOR THE DETAILED FORM OF THE PACKAGE.

6.0	32	28	34	502443-1560	15
6.0	30	26	32	502443-1460	14
6.0	28	24	30	502443-1360	13
6.0	26	22	28	502443-1260	12
					11
					10
6.0	20	16	22	502443-0960	9
6.0	18	14	20	502443-0860	8
6.0	16	12	18	502443-0760	7
6.0	14	10	16	502443-0660	6
12.8	12	8	14	502443-0560	5
10.8	10	6	12	502443-0460	4
8.8	8	4	10	502443-0360	3
6.8	6	2	8	502443-0260	2
D	C	B	A	EMBOSSED TAPE PACKAGE 注文番号 ORDER NO.	極数 CKT.NO.

番号 NO.	部品 PART	材質 MATERIAL
①	ハウジング HOUSING	ポリアミド UL94V-0 色 : ナチュラル POLYAMIDE UL94V-0 COLOR:NATURAL
②	ターミナル TERMINAL	銅合金 COPPER ALLOY
		錫めっき : 1.0 micro-meter MIN. MATTE TIN PLATING(TAIL AREA) ニッケルめっき(下地) : 1.0 micro-meter MIN. NICKEL (UNDER PLATING)
③	ネイル NAIL	銅合金 COPPER ALLOY
		錫めっき : 1.0 micro-meter MIN. MATTE TIN PLATING ニッケルめっき(下地) : 1.0 micro-meter MIN. NICKEL (UNDER PLATING)

RELEASE STATUS P1 RELEASE DATE 07.03.2017 11:17:21

THIS DRAWING CONTAINS INFORMATION THAT IS PROPRIETARY TO MOLEX ELECTRONIC TECHNOLOGIES, LLC AND SHOULD NOT BE USED WITHOUT WRITTEN PERMISSION

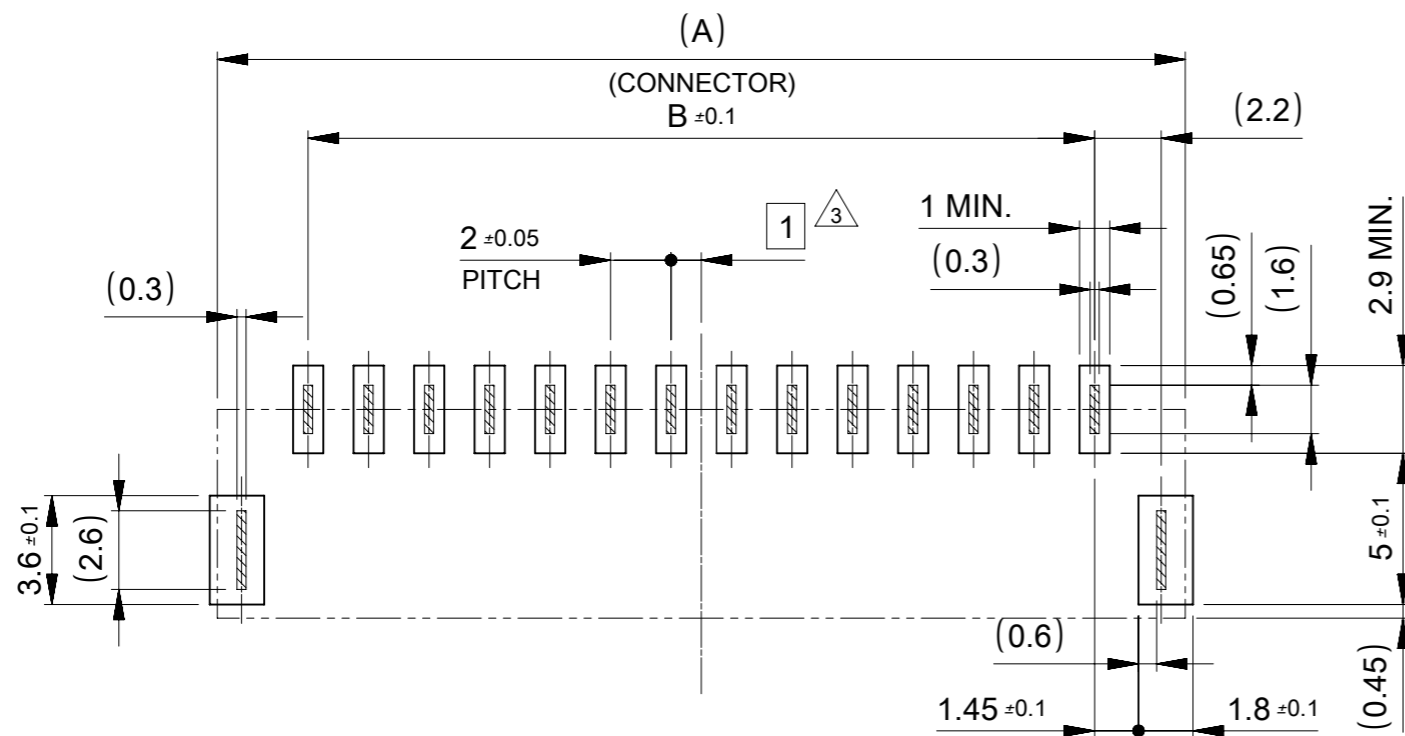
EC NO: 113635 DRWN: RWATANABE01 CHK'D: AIDA APPR: TKANEKO	2016/09/20	2017/03/07	GENERAL TOLERANCES (UNLESS SPECIFIED)		DIMENSION UNITS	SCALE	
	RELEASED RWATANABE01 AIDA TKANEKO	ANGULAR TOL ± 3.0 °		MM	4:1	DRWN BY	DATE
		4 PLACES ± 0.2	3 PLACES ± 0.2	RWATANABE01		2016/09/20	
		2 PLACES ± 0.2	1 PLACE ± 0.2	CHK'D BY		DATE	
		0 PLACES ± 0.2	TKANEKO		2017/03/07		
		DRAFT WHERE APPLICABLE MUST REMAIN WITHIN DIMENSIONS		DRAWING SIZE	THIRD ANGLE PROJECTION		
A	REV	A3					

molex[®]

CLIK-MATE 2.0
SINGLE ROW ST TYPE REC. ASSY
WITH COVER TAPE

PRODUCT CUSTOMER DRAWING

SERIES	MATERIAL NUMBER	CUSTOMER	
502443	SEE TABLE	GENERAL	
DOCUMENT NUMBER	DOC TYPE	DOC PART	SHEET NUMBER
5024431508	PSD	000	1 OF 2

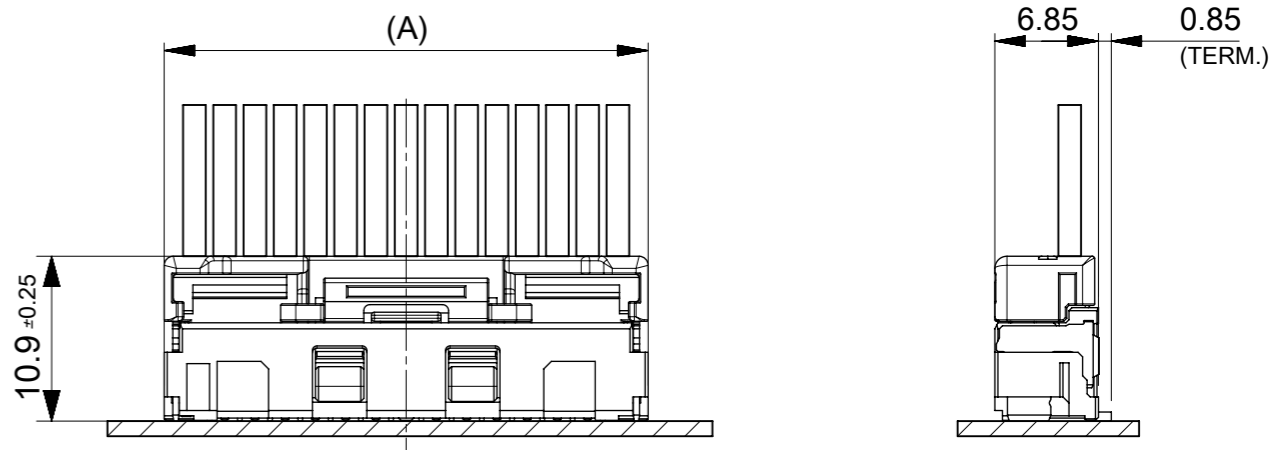
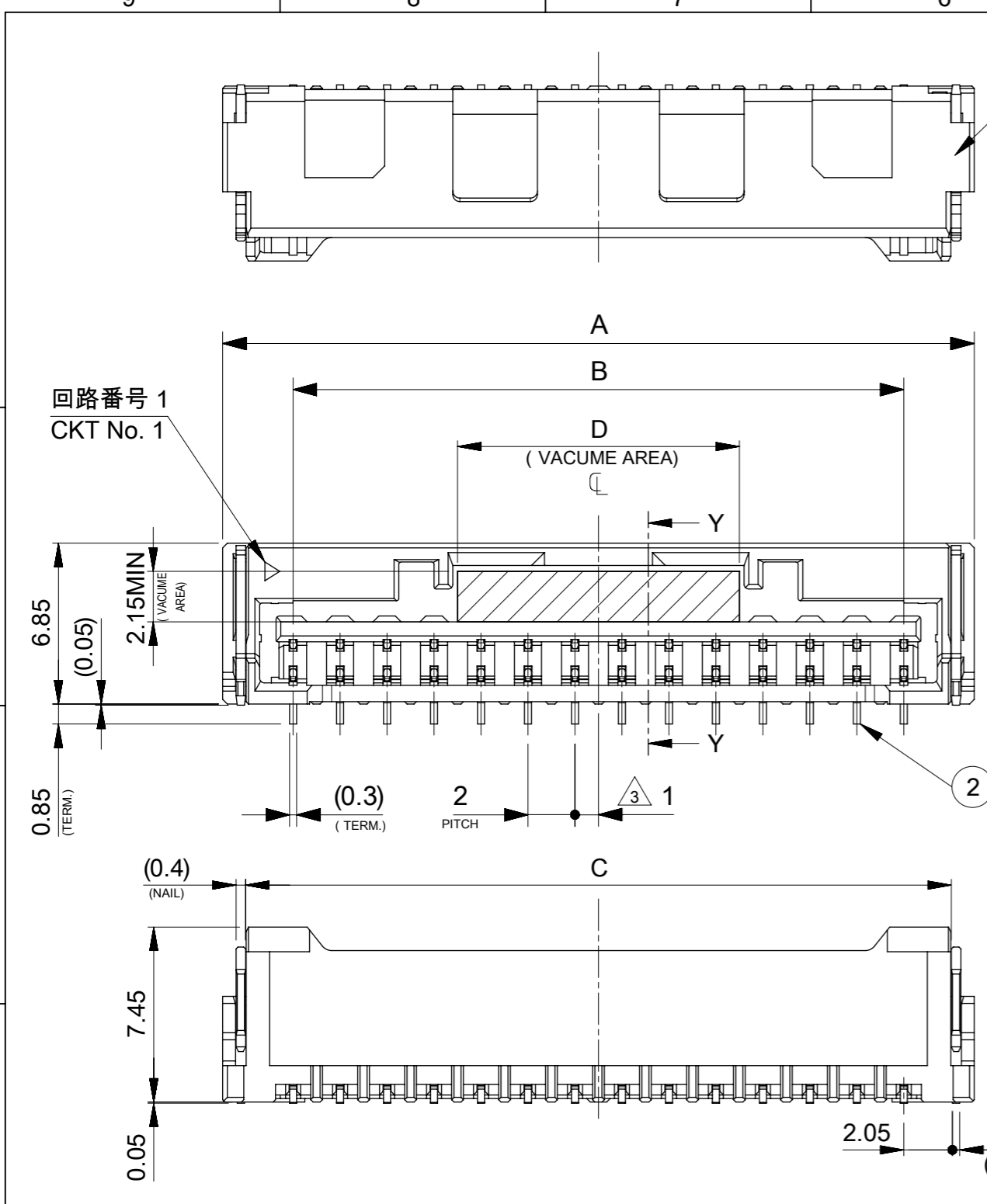


基板パターンレイアウト(参考)
RECCOMENDED P.C.B PATTERN LAYOUT (REF.)

THIS DRAWING CONTAINS INFORMATION THAT IS PROPRIETARY TO MOLEX ELECTRONIC TECHNOLOGIES, LLC AND SHOULD NOT BE USED WITHOUT WRITTEN PERMISSION

EC NO: 113635 DRWN: RWATANABE01 CHK'D: AIDA APPR: TKANEKO	2016/09/20 2017/03/07	GENERAL TOLERANCES (UNLESS SPECIFIED) ANGULAR TOL ± 3.0 °	DIMENSION UNITS MM	SCALE 4:1			
	4 PLACES ± 0.2 3 PLACES ± 0.2 2 PLACES ± 0.2 1 PLACE ± 0.2 0 PLACES ± 0.2	DRWN BY RWATANABE01	DATE 2016/09/20	CLIK-MATE 2.0 SINGLE ROW ST TYPE REC. ASSY WITH COVER TAPE			
	DRAFT WHERE APPLICABLE MUST REMAIN WITHIN DIMENSIONS	CHK'D BY AIDA	DATE 2017/03/07	PRODUCT CUSTOMER DRAWING			
	DRAWING SIZE A3	APPR BY TKANEKO	DATE 2017/03/07	SERIES 502443		MATERIAL NUMBER SEE TABLE	CUSTOMER GENERAL
	THIRD ANGLE PROJECTION 	DOCUMENT NUMBER 5024431508	DOC TYPE PSD	DOC PART 000		SHEET NUMBER 2 OF 2	

RELEASE STATUS	P1	RELEASE DATE	07.03.2017	11:17:21
----------------	----	--------------	------------	----------



嵌合図 MATED CONNECTOR
(SCALE : 2-1)

NOTES

1. 嵌合相手 : 502439-**00
MATE WITH : 502439-**00
2. 端子テール部 及び ネイルの平坦度: 0.1MAX
TAIL AND NAIL COPLANARITY TO BE 0.1 MAX.
3. 極数/2 = 偶数に適用
APPLY FOR CKT. SIZE /2 = EVEN.
4. 端子テール部 及び ネイルに錫めっきを使用しているため、
外観に摺動痕が付く場合がございます。
BECAUSE THE TIN PLATING IS USED FOR THE NAIL AND NAIL.
THE WOUND OF FRICTION MIGHT ADHERE TO EXTERNALS.
5. 本製品のプラスチック部に黒点等が確認される場合や
色合いが異なる場合がありますが、製品性能に影響はありません。
THERE IS NO INFLUENCE IN THE PRODUCT PERFORMANCE THOUGH
THE BLACK SPOT ETC. MIGHT BE CONFIRMED TO THE PLASTIC PART
OF THIS PRODUCT AND THE SHADE MIGHT BE DIFFERENT.
6. ELV 及び RoHS 適合品
ELV AND RoHS COMPLIANT
7. 梱包形状詳細については、5024431570PSD000を参照下さい。
PLEASE REFER TO 5024431570PSD000 FOR THE DETAILED FORM OF THE PACKAGE.

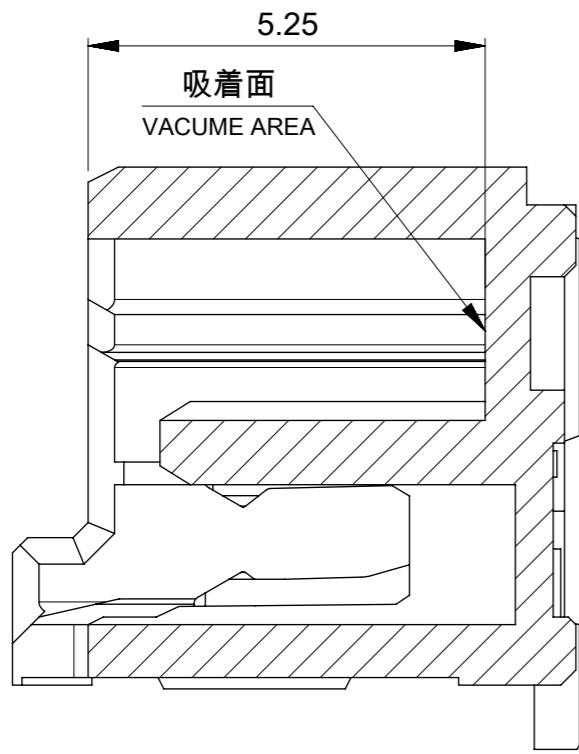
16	32	28	34	502443-1570	15
12	30	26	32	502443-1470	14
12	28	24	30	502443-1370	13
12	26	22	28	502443-1270	12
					11
					10
12	20	16	22	502443-0970	9
12	18	14	20	502443-0870	8
10	16	12	18	502443-0770	7
8	14	10	16	502443-0670	6
6	12	8	14	502443-0570	5
4	10	6	12	502443-0470	4
2.9	8	4	10	502443-0370	3
3.7	6	2	8	502443-0270	2
D	C	B	A	EMBOSSED TAPE PACKAGE 注文番号 ORDER NO.	極数 CKT.NO.

番号 NO.	部品 PART	材質 MATERIAL
①	ハウジング HOUSING	ポリアミド UL94V-0 色 : ナチュラル POLYAMIDE UL94V-0 COLOR:NATURAL
②	ターミナル TERMINAL	銅合金 COPPER ALLOY
		錫めっき : 1.0 micro-meter MIN. MATTE TIN PLATING(TAIL AREA) ニッケルめっき(下地) : 1.0 micro-meter MIN. NICKEL (UNDER PLATING)
③	ネイル NAIL	銅合金 COPPER ALLOY
		錫めっき : 1.0 micro-meter MIN. MATTE TIN PLATING ニッケルめっき(下地) : 1.0 micro-meter MIN. NICKEL (UNDER PLATING)

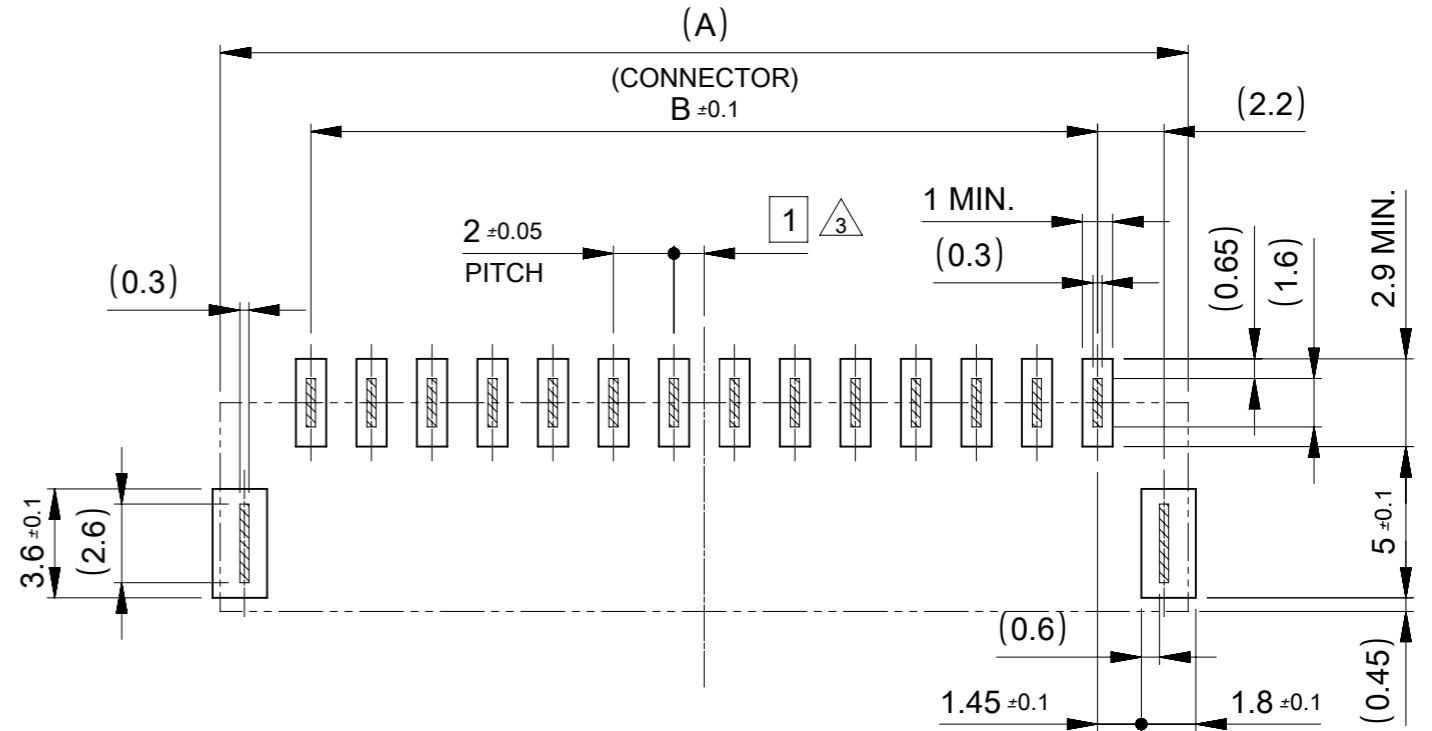
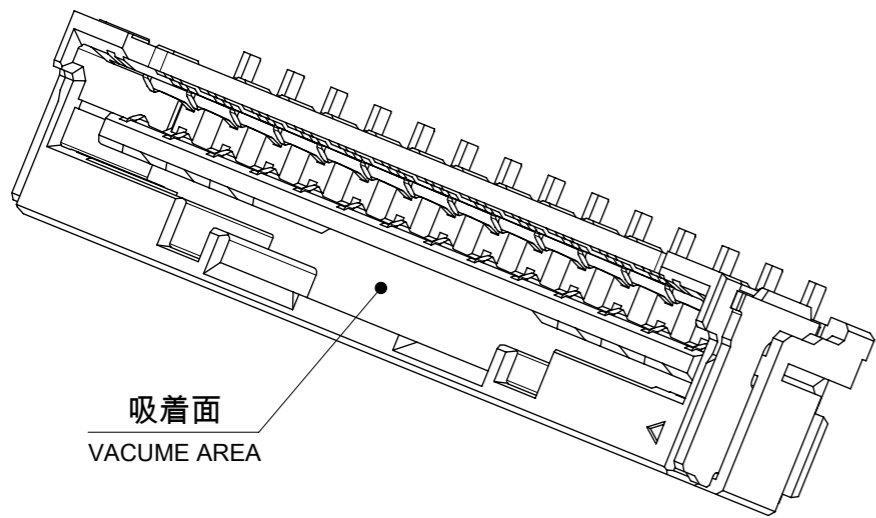
RELEASE STATUS P1 RELEASE DATE 31.07.2017 09:56:27

THIS DRAWING CONTAINS INFORMATION THAT IS PROPRIETARY TO MOLEX ELECTRONIC TECHNOLOGIES, LLC AND SHOULD NOT BE USED WITHOUT WRITTEN PERMISSION

REVISED EC NO: 120034 DRWN: AISHIKAWA CHK'D: AIDA APPR: TKANEKO	2017/07/28	2017/07/31	2017/07/31	GENERAL TOLERANCES (UNLESS SPECIFIED) ANGULAR TOL ± 3.0 ° 4 PLACES ± 0.2 3 PLACES ± 0.2 2 PLACES ± 0.2 1 PLACE ± 0.2 0 PLACES ± 0.2 DRAFT WHERE APPLICABLE MUST REMAIN WITHIN DIMENSIONS	DIMENSION UNITS MM	SCALE 4:1	<p>CLIK-MATE 2.0MM PITCH W/B CONN. ST TYPE REC. ASSY 2-15CKT</p> <p>PRODUCT CUSTOMER DRAWING</p>	
	DRWN BY AISHIKAWA	DATE 2016/04/19	CHK'D BY KOMURAKAMI		DATE 2016/04/28	APPR BY TKANEKO		DATE 2016/04/28
	DRAWING SIZE A3	THIRD ANGLE PROJECTION	SERIES 502443		MATERIAL NUMBER SEE TABLE	CUSTOMER GENERAL		
	DOCUMENT NUMBER 5024431509	DOC TYPE PSD	DOC PART 000		SHEET NUMBER 1 OF 2			



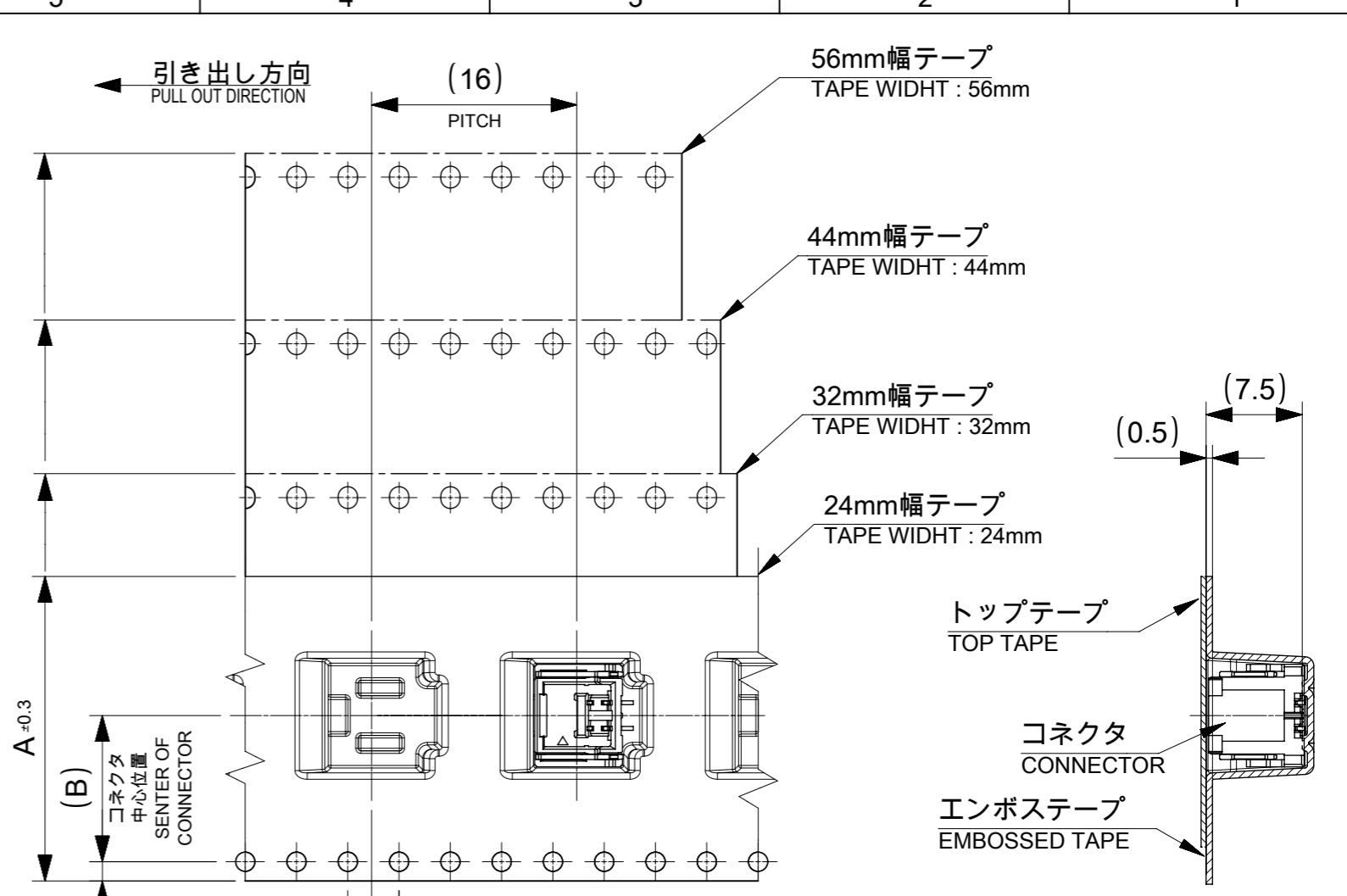
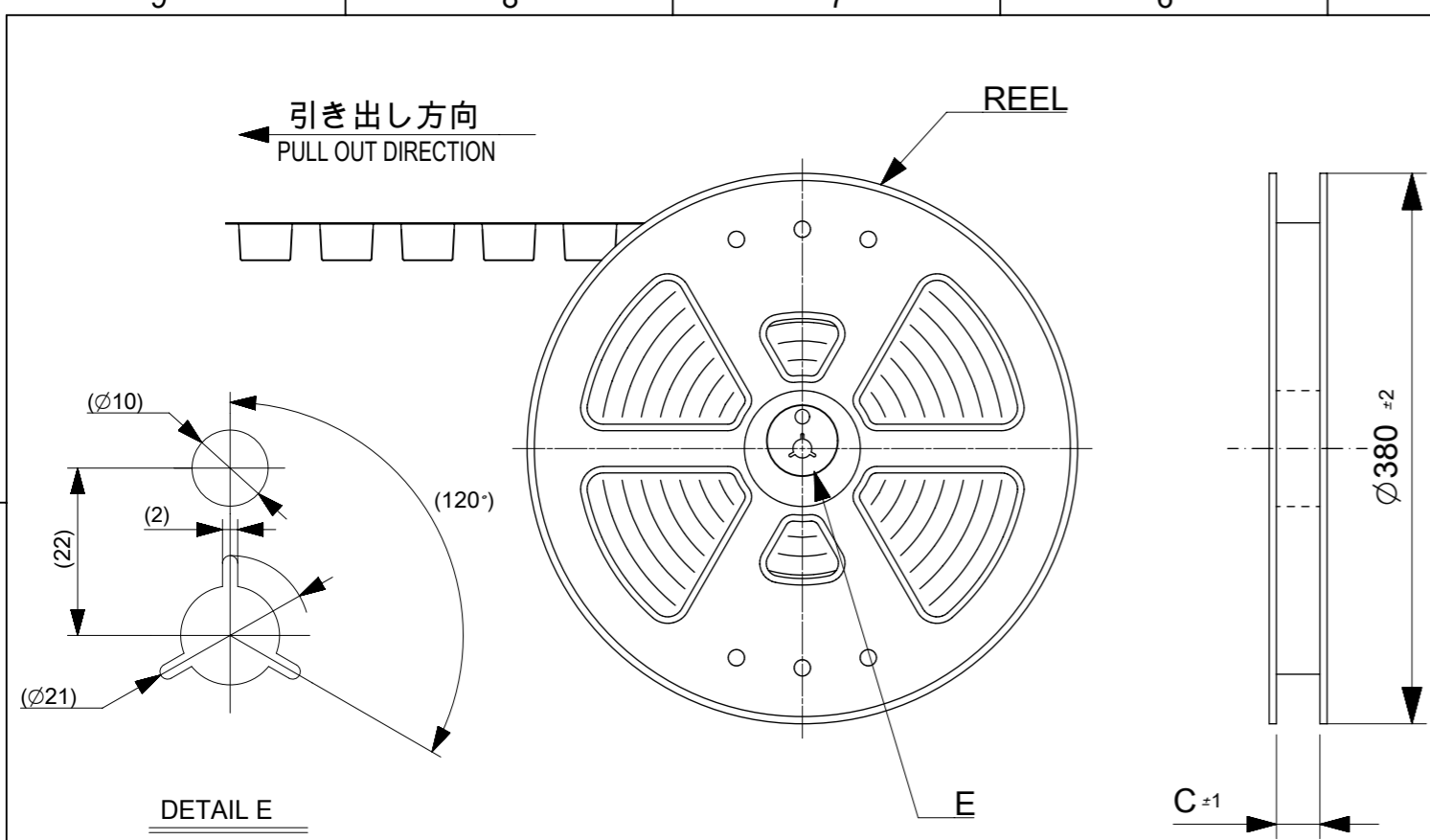
SECTION Y-Y
(SCALE :10-1)



基板パターンレイアウト(参考)
RECOMMENDED P.C.B PATTERN LAYOUT (REF.)

THIS DRAWING CONTAINS INFORMATION THAT IS PROPRIETARY TO MOLEX ELECTRONIC TECHNOLOGIES, LLC AND SHOULD NOT BE USED WITHOUT WRITTEN PERMISSION

REVISED	2017/07/28	GENERAL TOLERANCES (UNLESS SPECIFIED)	DIMENSION UNITS	SCALE	molex [®]			
	2017/07/31		MM	4:1				
	2017/07/31		DRWN BY	DATE		CLIK-MATE 2.0MM PITCH W/B CONN. ST TYPE REC. ASSY 2-15CKT		
			AISHIKAWA	2016/04/19				
	EC NO: 120034		DRWN: AISHIKAWA	4 PLACES ± 0.2		CHK'D BY	DATE	PRODUCT CUSTOMER DRAWING
	CHK'D: AIDA	3 PLACES ± 0.2	KOMURAKAMI	2016/04/28				
	APPR: TKANEKO	2 PLACES ± 0.2	APPR BY	DATE				
		1 PLACE ± 0.2	TKANEKO	2016/04/28	SERIES	MATERIAL NUMBER	CUSTOMER	
		0 PLACES ± 0.2	DRAWING SIZE	THIRD ANGLE PROJECTION	502443	SEE TABLE	GENERAL	
		DRAFT WHERE APPLICABLE MUST REMAIN WITHIN DIMENSIONS	A3		DOCUMENT NUMBER	DOC TYPE	DOC PART	SHEET NUMBER
					5024431509	PSD	000	2 OF 2

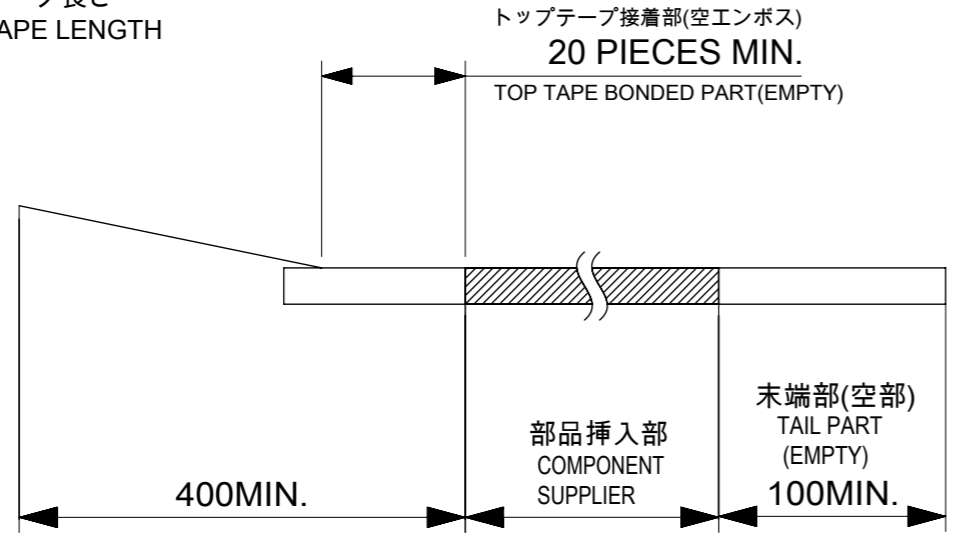


NOTE

1. 製品詳細寸法については、5024431509PSD000及び5024431508PSD000を参照下さい。
PLEASE REFER TO 5024431509PSD000 OR 5024431508PSD000 FOR THE DETAILED DIMENSION OF THE CONNECTOR.

2. 梱包数量 : 650個 / リール。
NUMBER OF CONNECTORS : 650 PIECES/REEL

3. リードテープ長さ
LEAD TAPE LENGTH



4. 材料
MATERIAL
キャリアテープ : ポリスチレン
CARRIER TAPE : POLYSTYRENE
トップテープ : ポリエステル、ポリエチレン、ポリエチレンテレフタレート
TOP TAPE : POLYESTER, POLYETHYLENE, POLYETHYLENE TEREPHTHALATE
リール : ポリスチレン <リサイクル材を含む>
REEL : POLYSTYRENE <RECYCLE MATERIAL CONTAINED>

57.5	26.2	56	502443-15**	15
57.5	26.2	56	502443-14**	14
45.5	20.2	44	502443-13**	13
45.5	20.2	44	502443-12**	12
				11
				10
45.5	20.2	44	502443-09**	9
45.5	20.2	44	502443-08**	8
33.5	14.2	32	502443-07**	7
33.5	14.2	32	502443-06**	6
25.5	11.5	24	502443-05**	5
25.5	11.5	24	502443-04**	4
25.5	11.5	24	502443-03**	3
25.5	11.5	24	502443-02**	2
C	B	エンボステープ幅A WIDTH OF TAPE	製品番号 MATERIAL NO.	極数 CKT. NO.

THIS DRAWING CONTAINS INFORMATION THAT IS PROPRIETARY TO MOLEX ELECTRONIC TECHNOLOGIES, LLC AND SHOULD NOT BE USED WITHOUT WRITTEN PERMISSION

QUALITY SYMBOLS	REVISED	GENERAL TOLERANCES (UNLESS SPECIFIED)	DIMENSION UNITS	SCALE	molex				
▽ = 0	2017/02/16	ANGULAR TOL ± 3.0 °	MM	NTS					
▽ = 0	2017/03/07	4 PLACES ± 0.2	DRWN BY	DATE	CLIK-MATE 2.0 SINGLE ROW ST TYPE EMBOSSSED TAPE PACKAGE				
▽ = 0	2017/03/07	3 PLACES ± 0.2	AISHIKAWA	2016/04/19					
▽ = 0	EC NO: 113635	2 PLACES ± 0.2	CHK'D BY	DATE	PRODUCT CUSTOMER DRAWING				
▽ = 0	DRWN: AISHIKAWA	1 PLACE ± 0.2	KOMURAKAMI	2016/04/28					
▽ = 0	CHK'D: AIDA	0 PLACES ± 0.2	APPR BY	DATE	SERIES MATERIAL NUMBER CUSTOMER				
▽ = 0	APPR: TKANEKO	DRAFT WHERE APPLICABLE MUST REMAIN WITHIN DIMENSIONS	TKANEKO	2016/04/28					
▽ = 0			DRAWING SIZE	THIRD ANGLE PROJECTION	502443	SEE TABLE	GENERAL		
▽ = 0			A3		DOCUMENT NUMBER		DOC TYPE	DOC PART	SHEET NUMBER
▽ = 0					5024431570	PSD	000	1 OF 2	

9 8 7 6 5 4 3 2 1

E

WITH COVER TAPE		
HSG COLOR : NATURAL		
502443-**60	502443-1560	15
	502443-1460	14
	502443-1360	13
	502443-1260	12
		11
		10
	502443-0960	9
	502443-0860	8
	502443-0760	7
	502443-0660	6
	502443-0560	5
	502443-0460	4
502443-0360	3	
502443-0260	2	
コネクタシリーズ CONNECTOR SERIES	製品番号 MATERIAL NO.	極数 CKT. NO.


D

C

WITHOUT COVER TAPE		
HSG COLOR : NATURAL		
502443-**70	502443-1570	15
	502443-1470	14
	502443-1370	13
	502443-1270	12
		11
		10
	502443-0970	9
	502443-0870	8
	502443-0770	7
	502443-0670	6
	502443-0570	5
	502443-0470	4
502443-0370	3	
502443-0270	2	
コネクタシリーズ CONNECTOR SERIES	製品番号 MATERIAL NO.	極数 CKT. NO.

B

A

QUALITY SYMBOLS FA = 0 FE = 0 FP = 0 ▼ = 0 C = 0 ⊗ = 0 ■ = 0 ∇ = 0	THIS DRAWING CONTAINS INFORMATION THAT IS PROPRIETARY TO MOLEX ELECTRONIC TECHNOLOGIES, LLC AND SHOULD NOT BE USED WITHOUT WRITTEN PERMISSION												
	REVISED EC NO: 113635 DRWN: AISHIKAWA CHK'D: AIDA REV APPR: TKANEKO	2017/02/16		2017/03/07		2017/03/07		GENERAL TOLERANCES (UNLESS SPECIFIED)		DIMENSION UNITS		SCALE	
		ANGULAR TOL ± 3.0 °		4 PLACES ± 0.2		3 PLACES ± 0.2		2 PLACES ± 0.2		MM		NTS	
		1 PLACE ± 0.2		0 PLACES ± 0.2		AISHIKAWA		2016/04/19		DRWN BY		DATE	
		DRAFT WHERE APPLICABLE MUST REMAIN WITHIN DIMENSIONS		TKANEKO		KOMURAKAMI		2016/04/28		CHK'D BY		DATE	
				2016/04/28		TKANEKO		2016/04/28		APPR BY		DATE	
			A3		DRAWING SIZE		THIRD ANGLE PROJECTION		 CLIK-MATE 2.0 SINGLE ROW ST TYPE EMBOSSED TAPE PACKAGE PRODUCT CUSTOMER DRAWING SERIES: 502443 MATERIAL NUMBER: SEE TABLE CUSTOMER: GENERAL DOCUMENT NUMBER: 5024431570 DOC TYPE: PSD DOC PART: 000 SHEET NUMBER: 2 OF 2				

RELEASE STATUS	P1	RELEASE DATE	07.03.2017	11:17:22
----------------	----	--------------	------------	----------

9 8 7 6 5 4 3 2 1

FORMAT: master-b-prod-A3
REVISION: 0
DATE: 2015/12/14