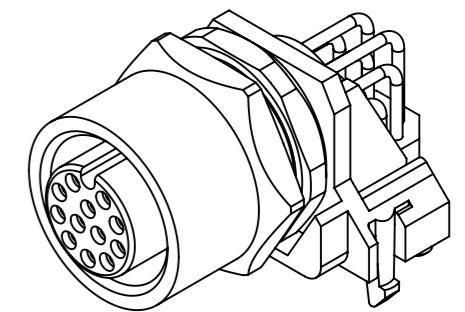
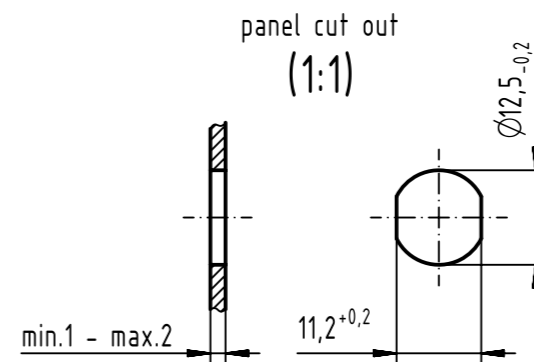
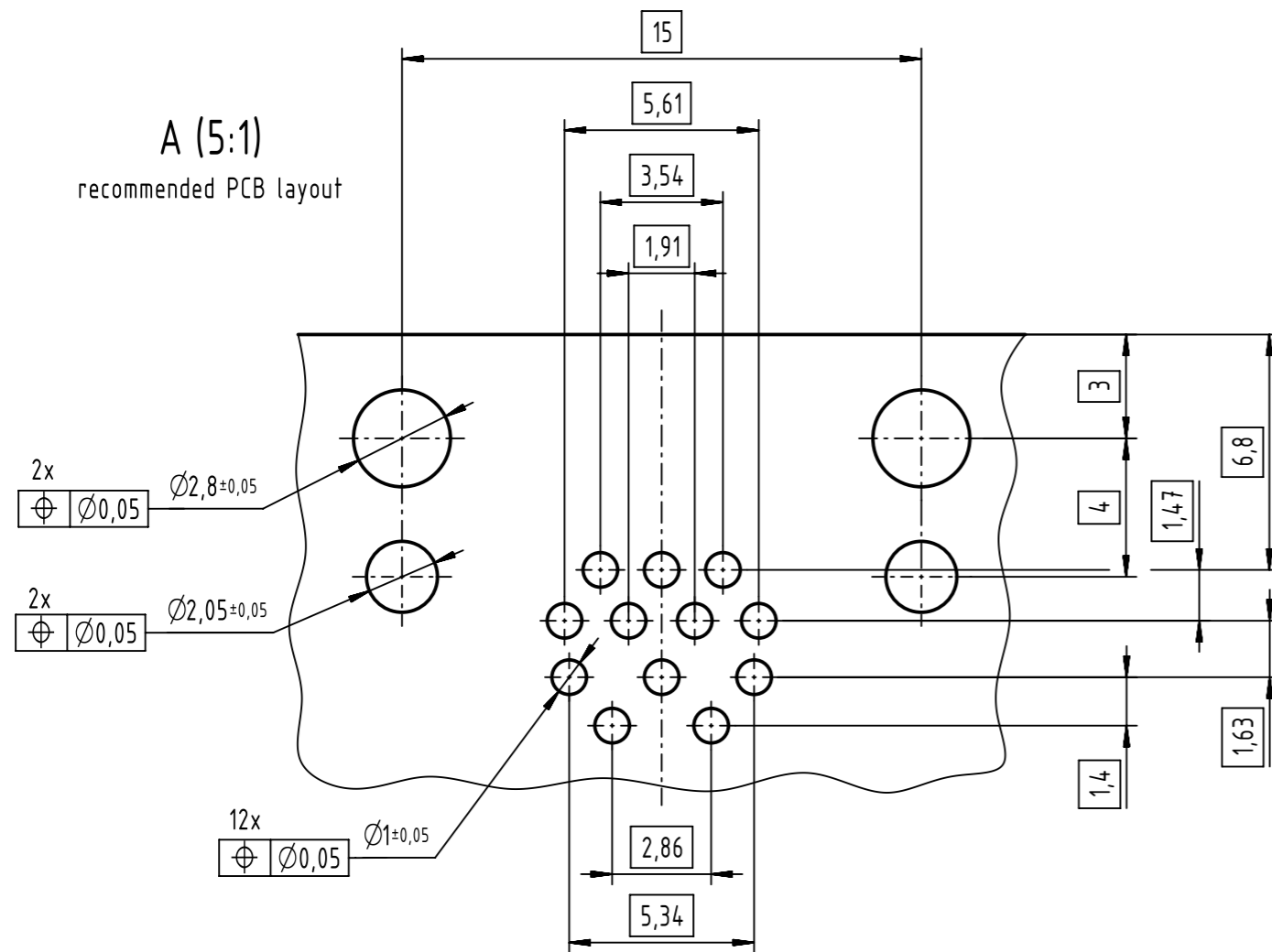


A (5:1)
recommended PCB layout



1 recommended PCB thickness: 1,6mm

	All Dimensions in mm Original Size DIN A3	Scale 2:1	Free size tol.	Ref.	
	All rights reserved Department EL PD	Created by EISFELD	Inspected by HAEMMERLING	Standardisation HOFFMANN	Date 2019-12-11
HARTING Electronics GmbH D-32339 Espelkamp		Title M12-PCB-THT-2PC-12P-ACOD-F-ANG			State Final Release
		Type TB	Number 21033214201	Doc-Key / ECM-Nr. 100610917/UGD/001/E 500000161231	Page 1/1
				Rev. E	