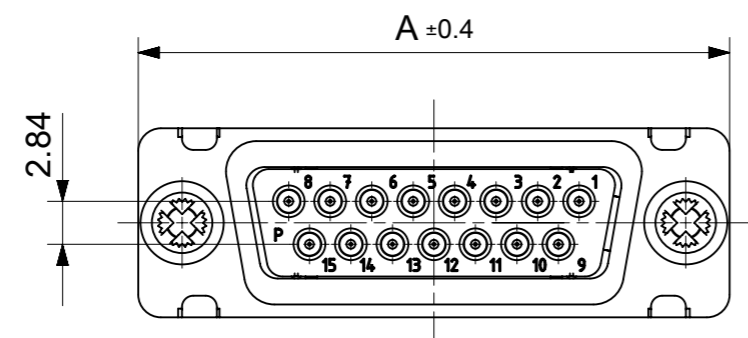
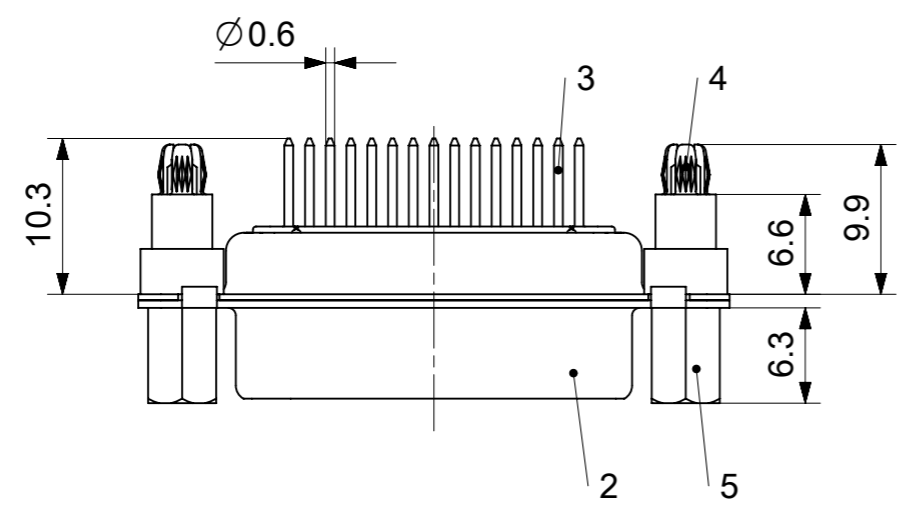
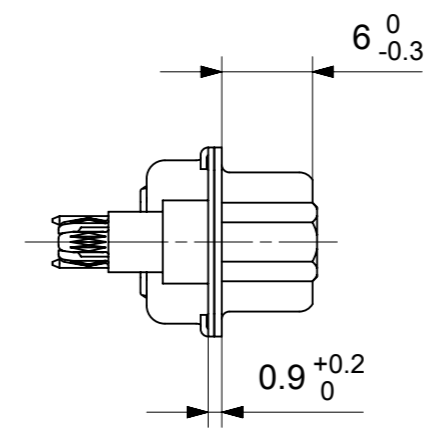
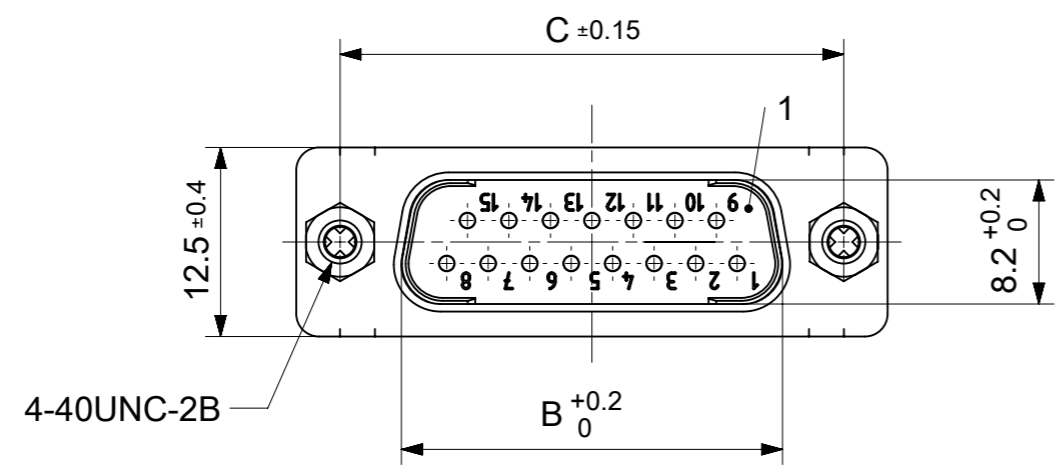


RoHS compliant  
by exemption



FCT Part number:  
Fxx\*1)P1G0-4342  
e.g. F15P1G0-4342  
\*1) xx No. of contacts 09, 15, 25 or 37

Material Number	xx*1)	A[mm]	B[mm]	C[mm]	*E[mm]	*F[mm]
1731091043	09	30.8	16.9	25	Ø1	Ø3
1731091243	15	39.1	25.2	33.3		
1731091390	25	53	38.9	47.04		
-	37	69.3	55.3	63.5		

\*PCB hole patterns ØE, ØF see document 2195600023

5	2	Threaded spacer	4-40 / Steel	tin plated
4	2	Snap-in bolt	PCB 1.6mm / Brass	tin plated
3	xx	Signal contact	P1 / Brass	0.5µm Au
2	1	Shell	Steel	tin plated
1	1	Insulator	PBT (-55°C to +125°C) acc. UL94V-0	white
No	Pc.	Part	Type Description/Material	Surface plating/ Color/Class

MEASUREMENTS WITHOUT TOLERANCE ACC TO ISO 2768-m

REPLACEMENT FOR DOCUMENT NUMBER: FxxP1G0-4342

FUNCTIONAL SYMBOLS: THIS DRAWING CONTAINS INFORMATION THAT IS PROPRIETARY TO MOLEX ELECTRONIC TECHNOLOGIES, LLC AND SHOULD NOT BE USED WITHOUT WRITTEN PERMISSION

FUNCTIONAL DIMENSION UNITS: mm SCALE: 2:1

GENERAL TOLERANCES (UNLESS SPECIFIED):

ANGULAR TOL ± °

4 PLACES ±

3 PLACES ±

2 PLACES ±

1 PLACE ±

0 PLACES ±

DIVISIONAL SYMBOLS:

DRAFT WHERE APPLICABLE MUST REMAIN WITHIN DIMENSIONS

FIRST ANGLE PROJECTION

DRAWING: A3-SIZE

SERIES: 173109

EC NO: 702864

DRWN: SKANDB 2021/12/01

CHK'D: MSTEINBRUECK 2022/04/29

APPR: MSTEINBRUECK 2022/04/29

INITIAL REVISION:

DRWN: SKANDB 2021/12/01

APPR: MSTEINBRUECK 2022/04/29

DOCUMENT NUMBER: 1731091043

DOC TYPE: PSD

DOC PART: 000

REVISION: A

MATERIAL NUMBER: SEE TABLE

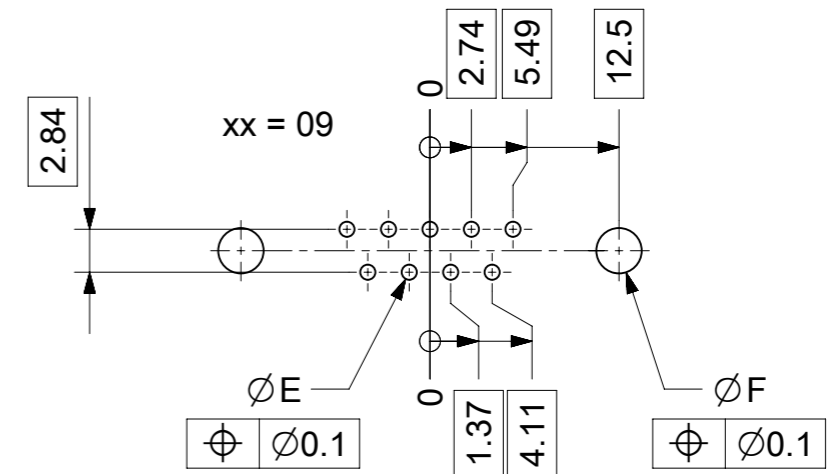
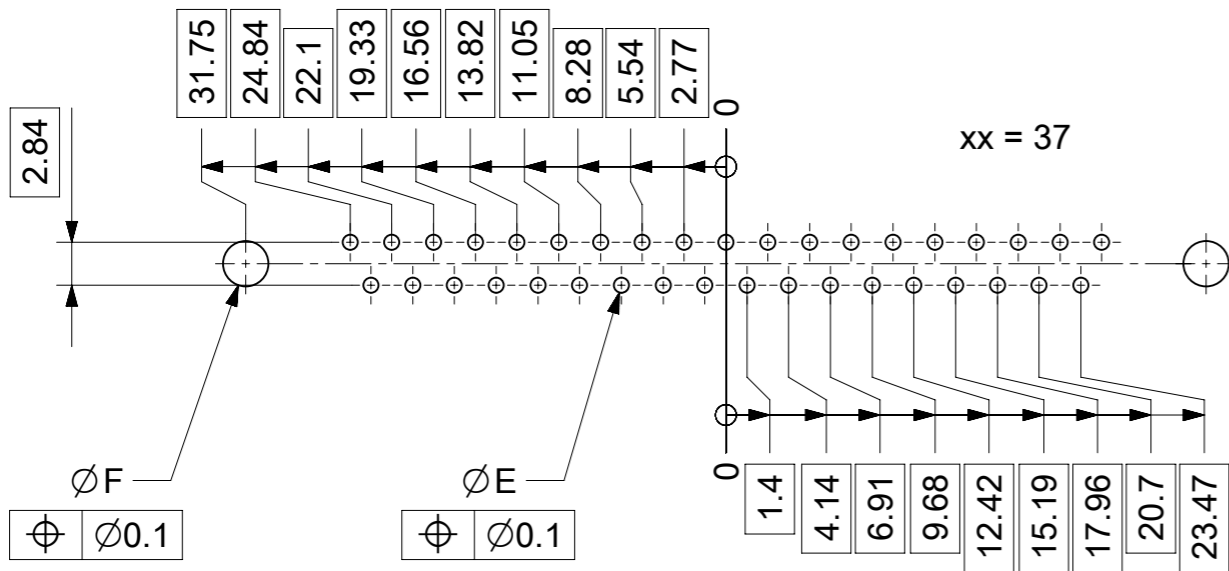
CUSTOMER: GENERAL MARKET

SHEET NUMBER: 1 OF 1

**molex**

FCT D-SUB MINIATURE CONNECTOR

PRODUCT CUSTOMER DRAWING



$\varnothing E$ ,  $\varnothing F$  see data sheet incl. connector  
 $\varnothing F$  connectors with accessories only

MEASUREMENTS WITHOUT TOLERANCE ACC TO ISO 2768-m			REPLACEMENT FOR DOCUMENT NUMBER: AM0023			
THIS DRAWING CONTAINS INFORMATION THAT IS PROPRIETARY TO MOLEX ELECTRONIC TECHNOLOGIES, LLC AND SHOULD NOT BE USED WITHOUT WRITTEN PERMISSION						
FUNCTIONAL SYMBOLS	DIMENSION UNITS	SCALE	CURRENT REV DESC:			
$\nabla_A = 0$	mm	2:1	EC NO: 713905			
$\nabla_E = 0$	GENERAL TOLERANCES (UNLESS SPECIFIED)		DRWN: SKANDB 2022/05/16			
$\nabla_P = 0$	ANGULAR TOL $\pm$ °		CHK'D: MTEUBEL 2022/07/12			
DIVISIONAL SYMBOLS	4 PLACES $\pm$		APPR: MTEUBEL 2022/07/12			
	3 PLACES $\pm$		INITIAL REVISION:			
	2 PLACES $\pm$		DRWN: SKANDB 2022/05/16			
	1 PLACE $\pm$		APPR: MTEUBEL 2022/07/12			
	0 PLACES $\pm$		DOCUMENT NUMBER			
DRAFT WHERE APPLICABLE MUST REMAIN WITHIN DIMENSIONS		FIRST ANGLE PROJECTION	DRAWING	SERIES	MATERIAL NUMBER	CUSTOMER
			A3-SIZE	219560	219560	GENERAL MARKET
			PRODUCT CUSTOMER DRAWING		DOC TYPE	DOC PART
			2195600023		PSD	000
			SHEET NUMBER		REVISION	
			1 OF 1		A	