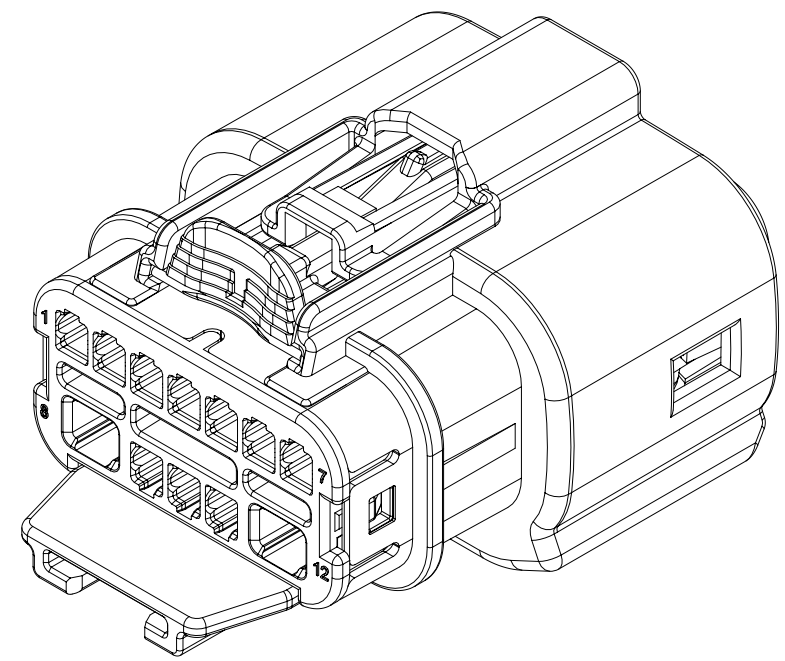
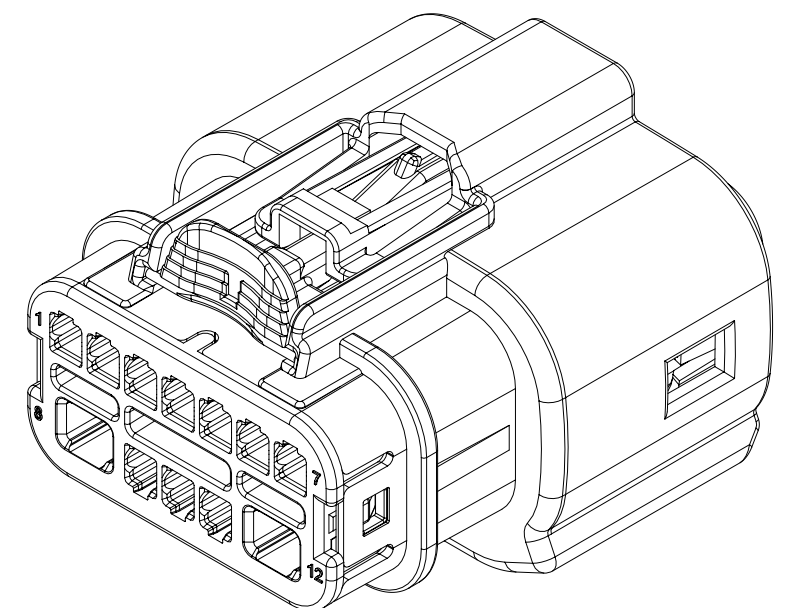


TABLE OF CONTENTS	
SHEET NO.	SHEET DESCRIPTION
1	NOTES
2	CONFIGURATIONS
3	KEY CONFIGURATIONS
4	RECEPTACLE CONNECTOR ASSEMBLY
5	12W HYBRID CONNECTOR BOM
6	12W HYBRID CONNECTOR BOM
7	12W HYBRID INTERFACE DEFINITION

DESCRIPTION	PACKAGING DRAWING NO.	MATING INTERFACE/CONNECTOR DRAWINGS	
		INTERFACE DEFINITION	MOLEX INLINE
12W HYBRID	RPK-1601110900	SEE PAGE 6	E-1601120000



12W HYBRID W/ EXTENDED CLIPSLOT



12W HYBRID NON-CLIPSLOT

NOTES: VALID UNLESS OTHERWISE SPECIFIED

1. GENERAL:

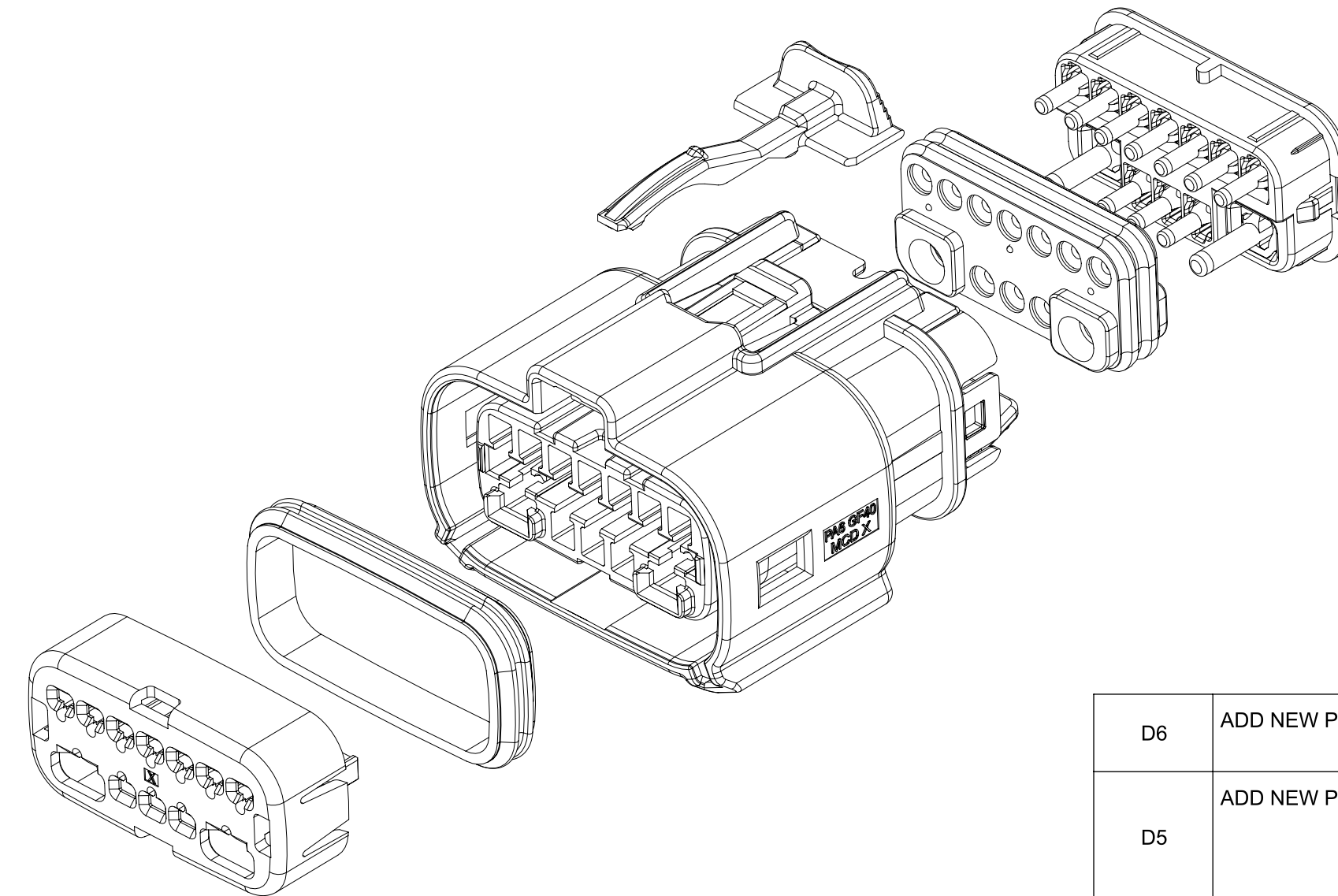
- 1.1 APPLICATION SPECIFICATION SEE: 1601110001-AS
 - CONTAINS: PRODUCT INTRODUCTION, PRODUCT SUMMARY, CONNECTOR ASSEMBLY, PACKAGING INFORMATION, CONNECTOR MATING, SERVICE INSTRUCTIONS, ELECTRICAL CONTINUITY CHECKING, CRIMPING, AND TROUBLE SHOOTING.
 - DESIGNED TO MATE WITH DEVICE OR CONNECTOR AS SPECIFIED IN THE MATING INTERFACE/CONNECTOR DRAWINGS CHART.
 - *DENOTES DRAWINGS THAT CAN BE ACCESSED AT [http://ewcap.uscarteams.org/]
 - ASSEMBLY SHIPPED WITH THE FOLLOWING PARTS IN PRE-LOCK POSITION (PLR, CPA, ISL, LEVEL. SEE PRE-LOCK VIEW ON PAGE 4).
- 1.2 PRODUCT SPECIFICATION SEE: 1601110001-PS
 - CONTAINS: SCOPE, PRODUCT DESCRIPTION, INTEGRAL COMPONENTS AND ACCESSORIES, APPLICABLE DOCUMENTS AND SPECIFICATIONS, RATINGS, PERFORMANCE, PACKAGING, GAUGES AND FIXTURES, AND OTHER INFORMATION.
- 1.3 PACKAGING SPECIFICATION PER MOLEX DRAWING: SEE PACKAGING CHART
- 1.4 PARTS MUST BE IN COMPLIANCE TO MOLEX CHEMICAL SUBSTANCES FOR PRODUCTS AND PACKAGING SPECIFICATION: QEHS-699000-300
- 1.5 DATA MUST BE SUBMITTED UNDER THE MOLEX PART NUMBER TO IMDS (COMPANY ID#13255)

2. DESIGN - MATERIALS:

- 2.1 SEE BOM TABLE

3. DESIGN - GEOMETRY:

- 3.1 THE 3-D CAD DATA IS BASIC (WITHOUT TOLERANCE) AND MUST BE TAKEN FROM THE DATA FILE AT ITS LATEST REVISION.
- 3.2 THE 3-D CAD DATA IS MASTER FOR THIS PART AND IS TO BE USED TO ESTABLISH DIMENSIONAL INFORMATION NOT SHOWN ON THIS DRAWING. ANY DIMENSIONS UNDERLINED INDICATE A CONFLICT WITH THE MODEL.
- 3.3 PRODUCT DESIGN MODEL NUMBER(S): SEE BOM TABLE
- 3.4 GEOMETRIC DIMENSIONS AND TOLERANCES PER ASME Y14.5M-2009
- 3.5 EDGES OF UNDEFINED SHAPE PER ISO 13715
- 3.6 CORNERS SHOWN AS SHARP TO BE R 0.2 MAX
- 3.7 LETTERING SHALL BE 0.15 MAX RAISED IN 0.25 MAX RECESS PAD.
THIS INCLUDES RECYCLING CODE, CAVITY ID, VENDOR IDENTIFICATION, AND CUSTOMER MATERIAL NUMBER.
- 3.8 VISUAL DEFECTS SHALL MEET COSMETIC STANDARD PS-45499-002 (CLASS B).
- 3.9 LASER MARKING
 1. PART NUMBER
 2. DAY OF THE YEAR
 3. SHIFT
 4. YEAR
 FOR ADDITIONAL INFORMATION SEE SECTION 5 UNDER PROCEDURES IN ES-34735-008.



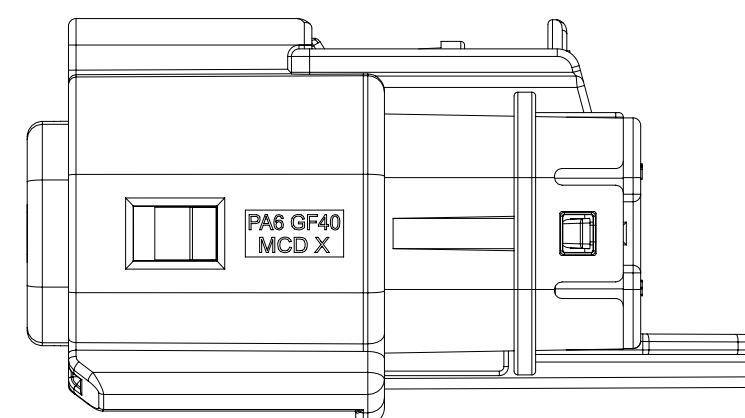
D6	ADD NEW PART NO. 160111-6068 160111-6069
D5	ADD NEW PART NO. 160111-6064 160111-6065 160111-6066 160111-6067
D4	ADD 160111-6062 AND 160111-6063
D3	ADD 160111-6061
D2	ADD 160111-6059 AND 6060
D1	ADD 160111-6054 THRU 6058
D	ADD 160111-6050 THRU 6053
C2	UPDATED NOTES
C1	CHANGE DOCUMENT TYPE FROM RSD TO SD
C	ADD 160111-6046 THRU 6049
B	UPDATED INFORMATION TO PRODUCTION LEVEL
A2	ADDED NEW PART NO. 160111-6039 160111-6040 160111-6041 160111-6042 160111-6043 160111-6044 160111-6045
A1	ADDED NEW PART NO. 160111-6021 160111-6022 160111-6023 160111-6024 160111-6025 160111-6026 160111-6027 160111-6028 160111-6029 160111-6030 160111-6031 160111-6032 160111-6033 160111-6034 160111-6035 160111-6036 160111-6037 160111-6038
A	INITIAL RELEASE

INSPECTION NUMBER LOG	
LAST NUMBER: 7	REV DESCRIPTION
A	INITIAL RELEASE

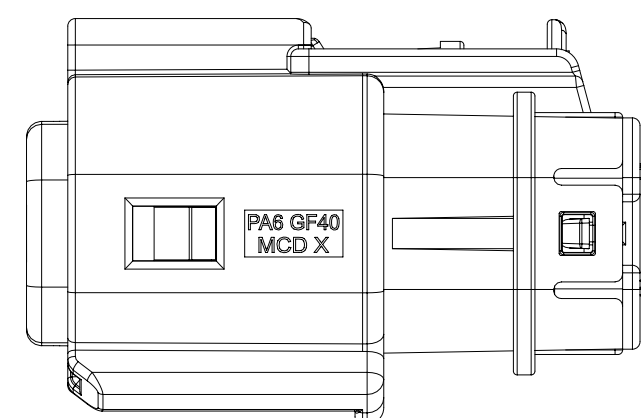
FUNCTIONAL SYMBOLS	THIS DRAWING CONTAINS INFORMATION THAT IS PROPRIETARY TO MOLEX ELECTRONIC TECHNOLOGIES, LLC AND SHOULD NOT BE USED WITHOUT WRITTEN PERMISSION		CURRENT REV DESC: SEE REVISION TABLE	
$\frac{F}{A} = 0$	DIMENSION UNITS: mm	SCALE: 2:1		
$\frac{F}{C} = 0$	GENERAL TOLERANCES (UNLESS SPECIFIED)		PHASE: Design Production	
$\frac{F}{D} = 0$	ANGULAR TOL $\pm 0.5^\circ$		CO NO: CO-00000522	
DIVISIONAL SYMBOLS	4 PLACES ± 0.0000	3 PLACES ± 0.0000	2 PLACES ± 0.000	1 PLACE ± 0.00
	0 PLACES ± 0.00	INITIAL REVISION:		
	DRAFT WHERE APPLICABLE MUST REMAIN WITHIN DIMENSIONS		THIRD ANGLE PROJECTION	DRAWING: D-SIZE
		SERIES: 160111	MATERIAL NUMBER: CHARTED	CUSTOMER: 1 OF 7
			DOCUMENT NUMBER: 1601110000	DOC TYPE: PSD
			DOC PART: 000	REVISION: D6
			PRODUCT SALES DRAWING	
			MX150 HYBRID MAT SEAL RCPT CONN ASM	

SHEET DESCRIPTION

CONFIGURATIONS



12W HYBRID W/ EXTENED CLIPSLOT



12W HYBRID NON-CLIPSLOT

FUNCTIONAL SYMBOLS	THIS DRAWING CONTAINS INFORMATION THAT IS PROPRIETARY TO MOLEX ELECTRONIC TECHNOLOGIES, LLC AND SHOULD NOT BE USED WITHOUT WRITTEN PERMISSION		
	DIMENSION UNITS	SCALE	CURRENT REV DESC: SEE REVISION TABLE
$\nabla_A = 0$	mm	2:1	PHASE: Design Production CO NO: CO-00000522
$\nabla_C = 0$	GENERAL TOLERANCES (UNLESS SPECIFIED)		
$\nabla_D = 0$	ANGULAR TOL $\pm 0.5^\circ$		DRWN: Srikanth CV 2022-02-16
DIVISIONAL SYMBOLS	4 PLACES	± 0.0000	CHK'D: Chaitra D 2022-02-17
	3 PLACES	± 0.0000	APPR: Gurunandan GA 2022-02-17
	2 PLACES	± 0.000	INITIAL REVISION:
	1 PLACE	± 0.00	DRWN: Srikanth CV 2022-02-16
	0 PLACES	± 0.00	APPR: Gurunandan GA 2022-02-17
DRAFT WHERE APPLICABLE MUST REMAIN WITHIN DIMENSIONS		THIRD ANGLE PROJECTION	DRAWING
			SERIES
		D-SIZE	MATERIAL NUMBER
		160111	CUSTOMER
		CHARTED	SHEET NUMBER
			2 OF 7

molex

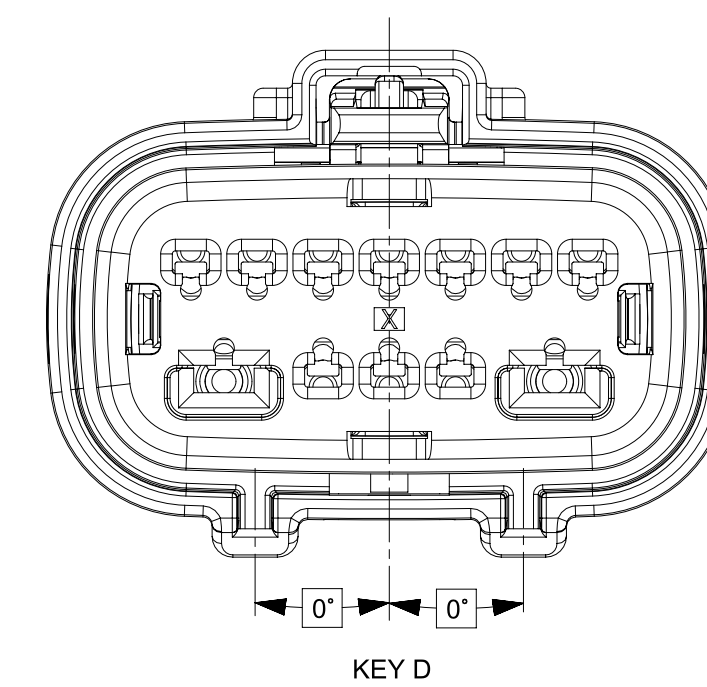
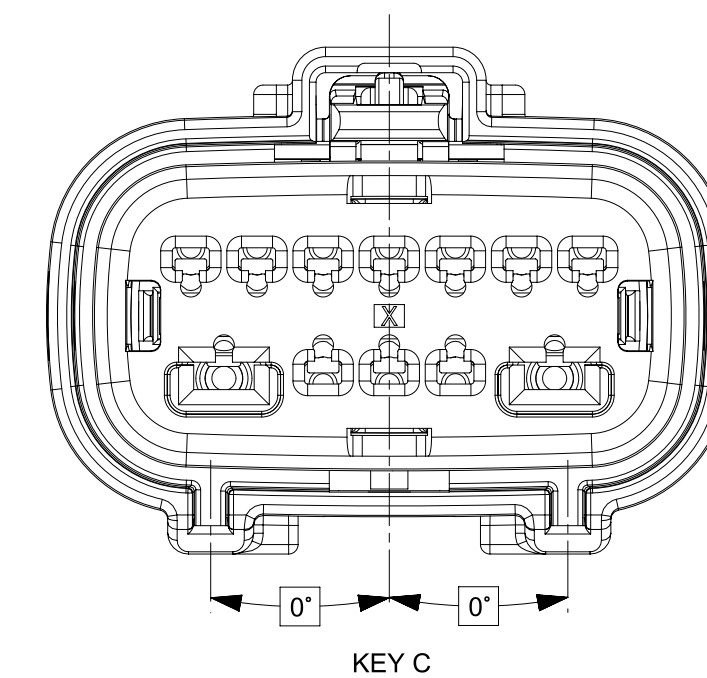
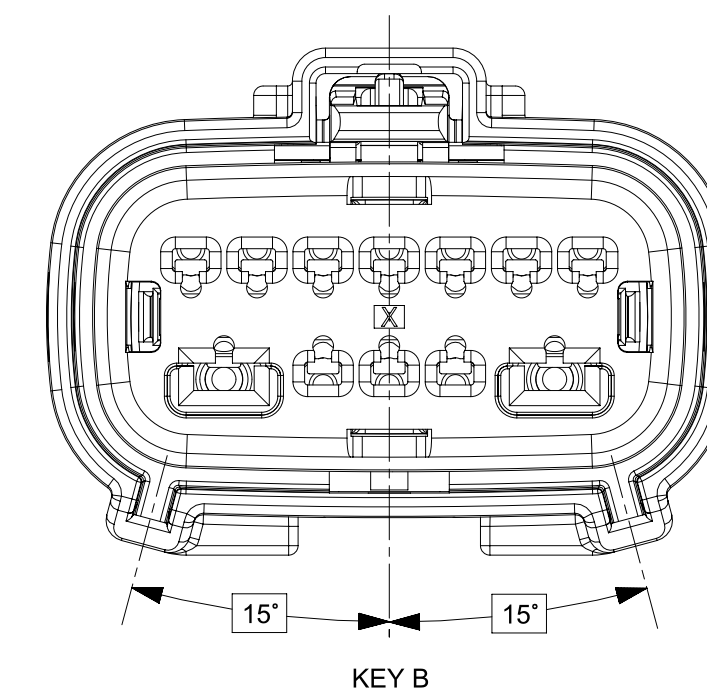
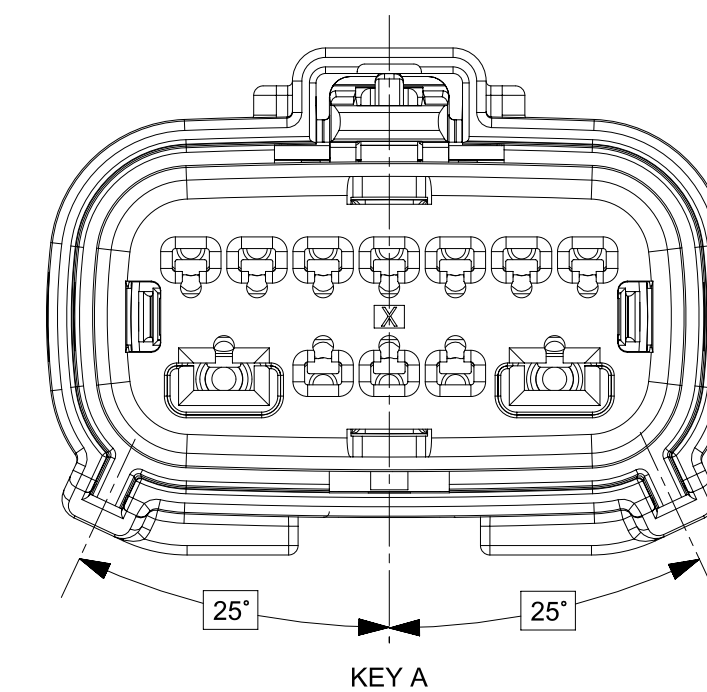
MX150 HYBRID MAT SEAL RCPT CONN ASM

PRODUCT SALES DRAWING

DOCUMENT NUMBER	DOC TYPE	DOC PART	REVISION
1601110000	PSD	000	D6

2 OF 7

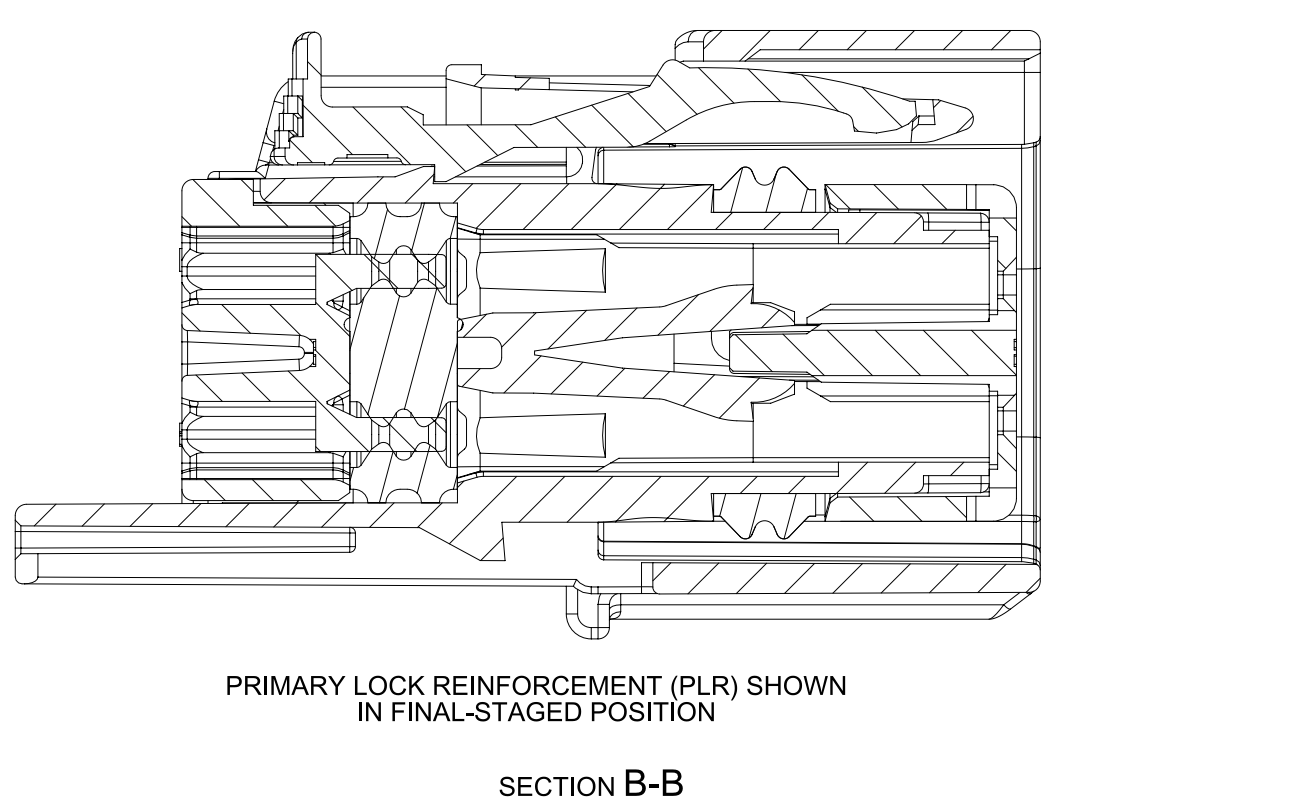
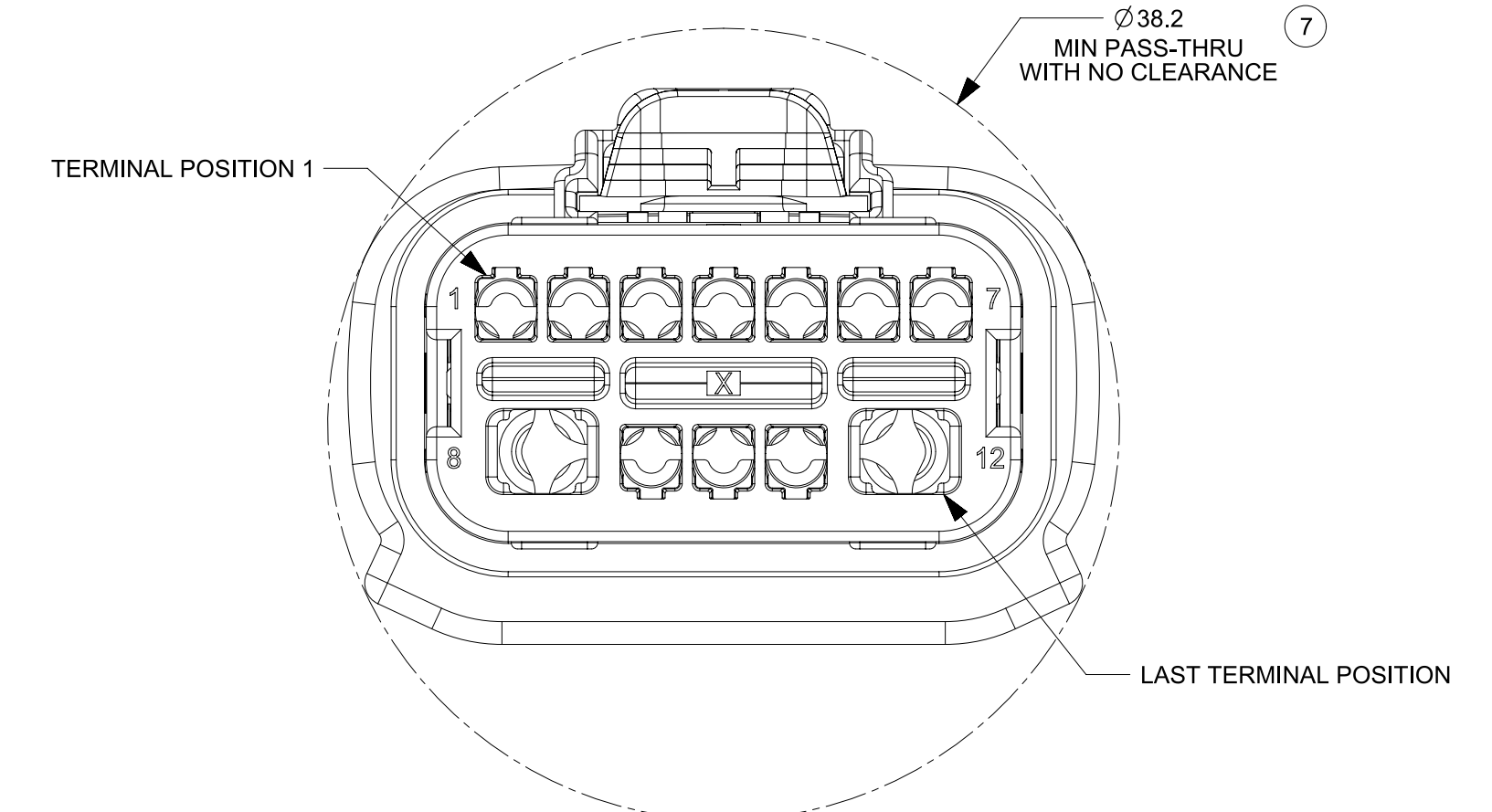
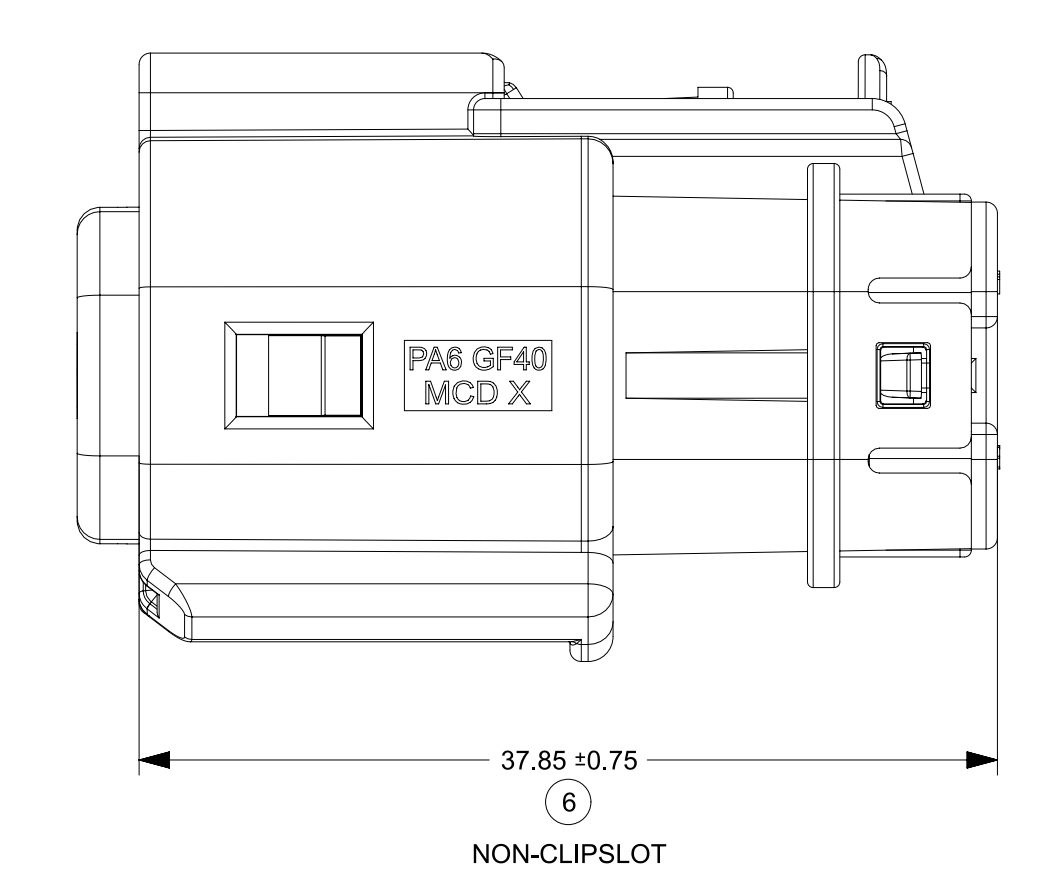
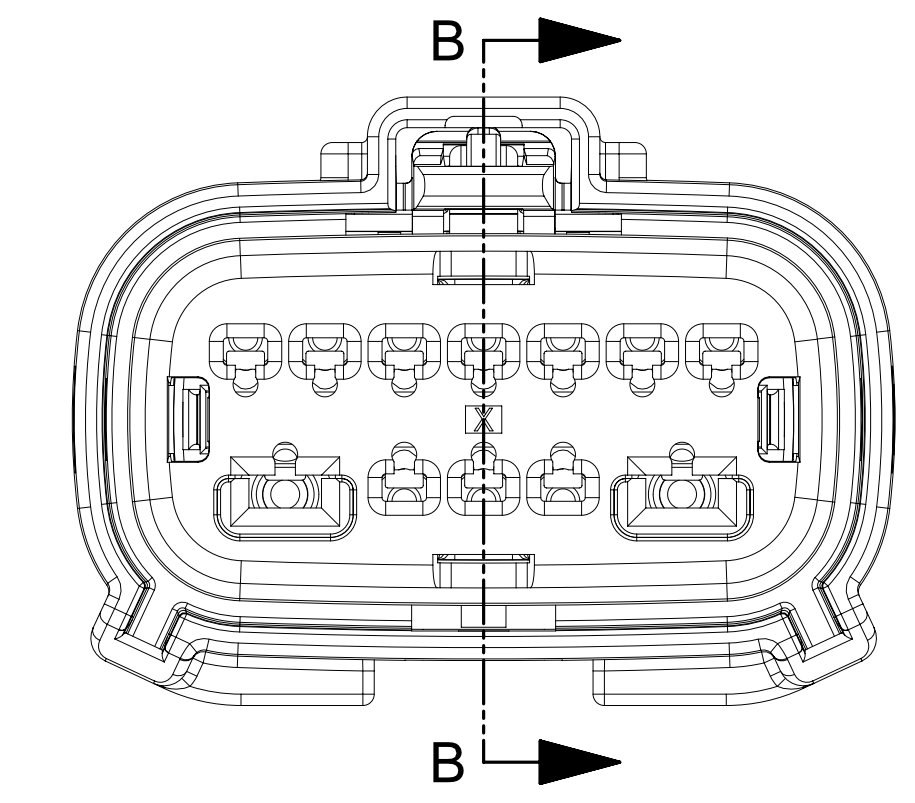
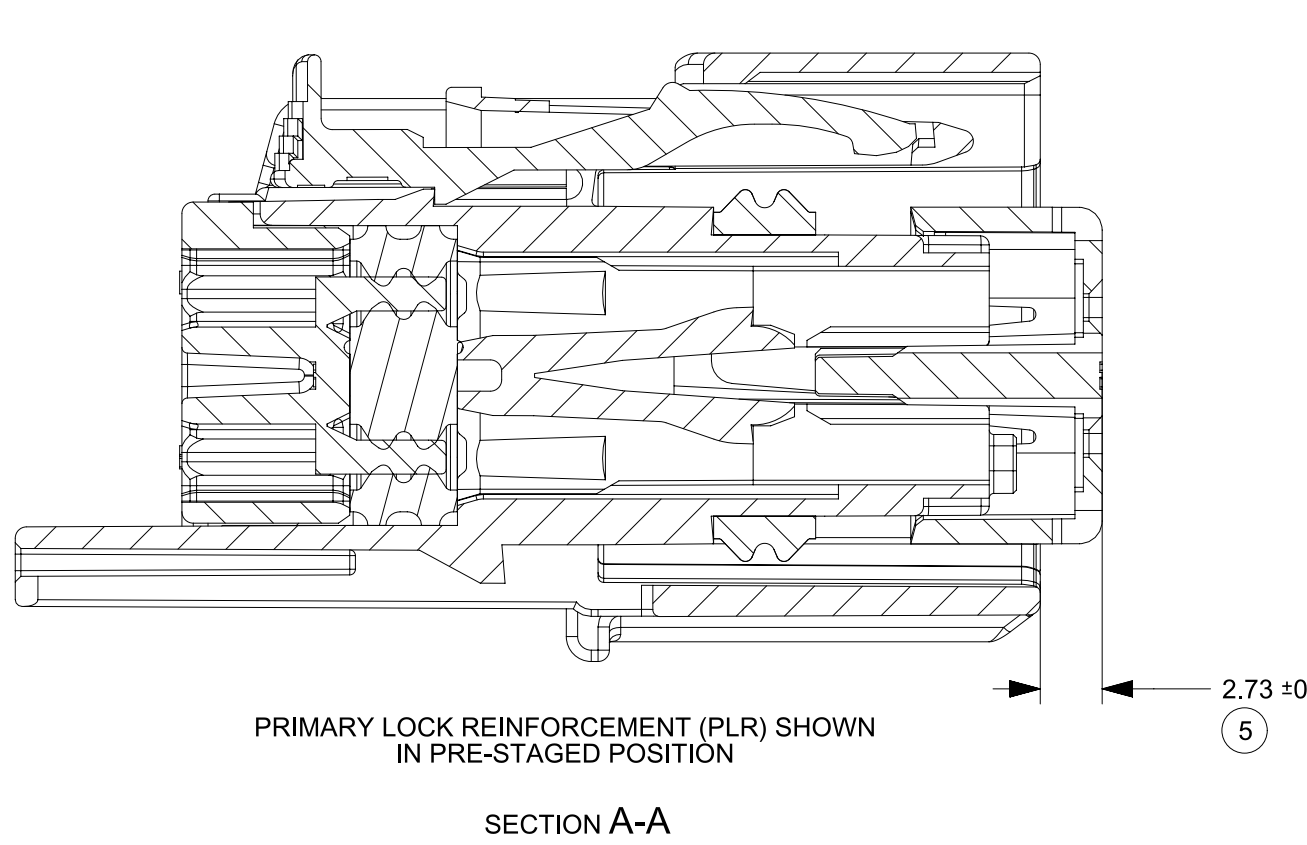
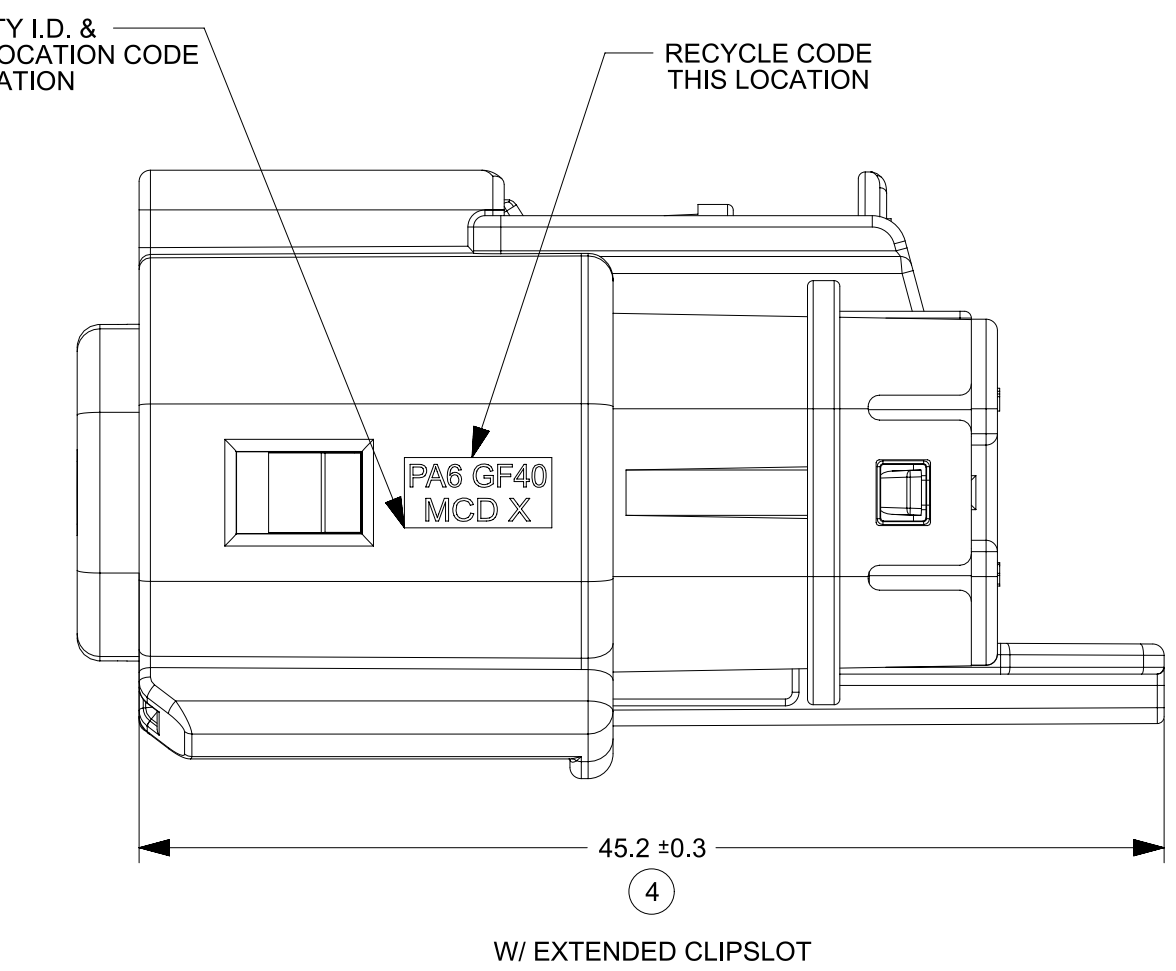
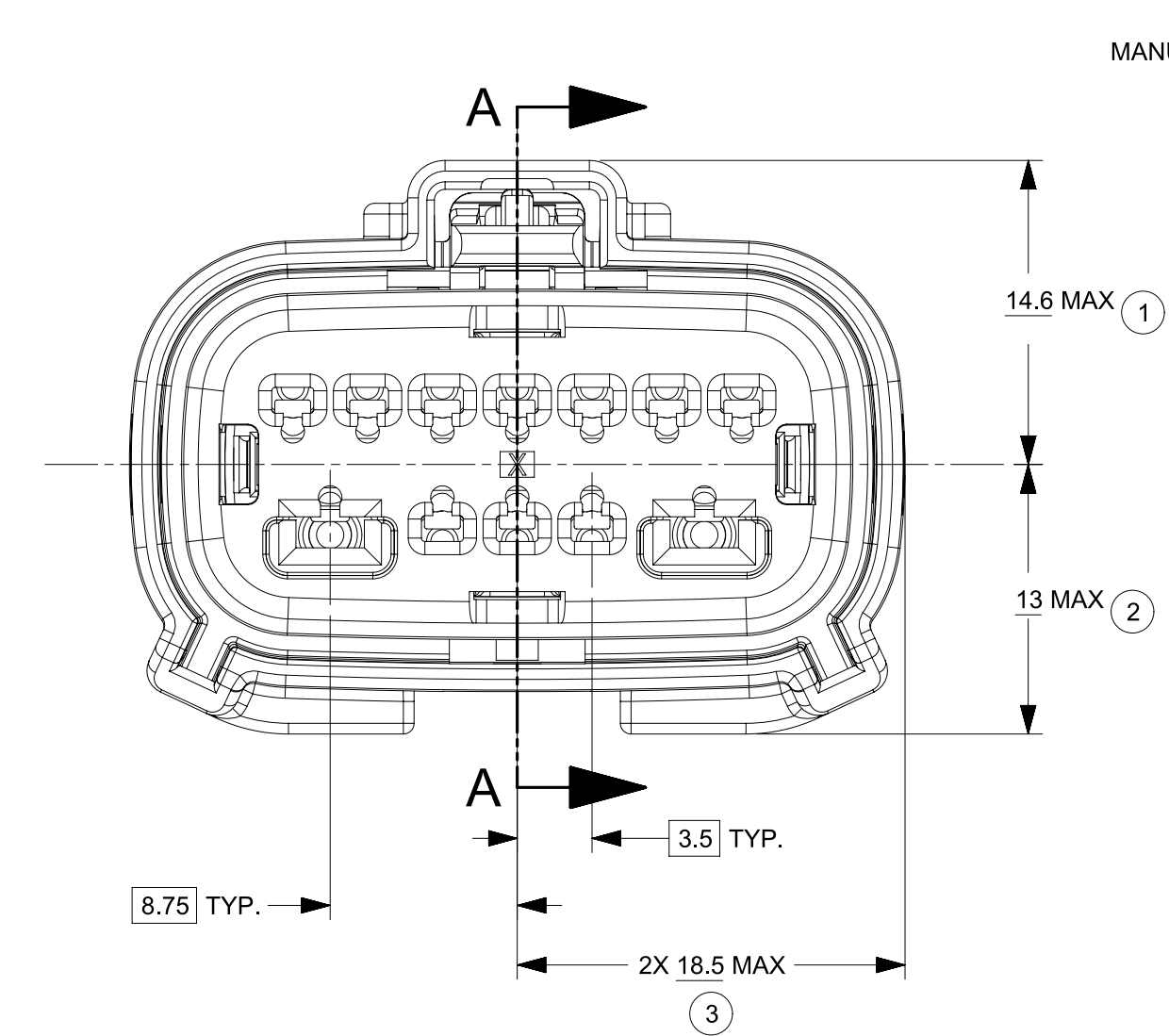
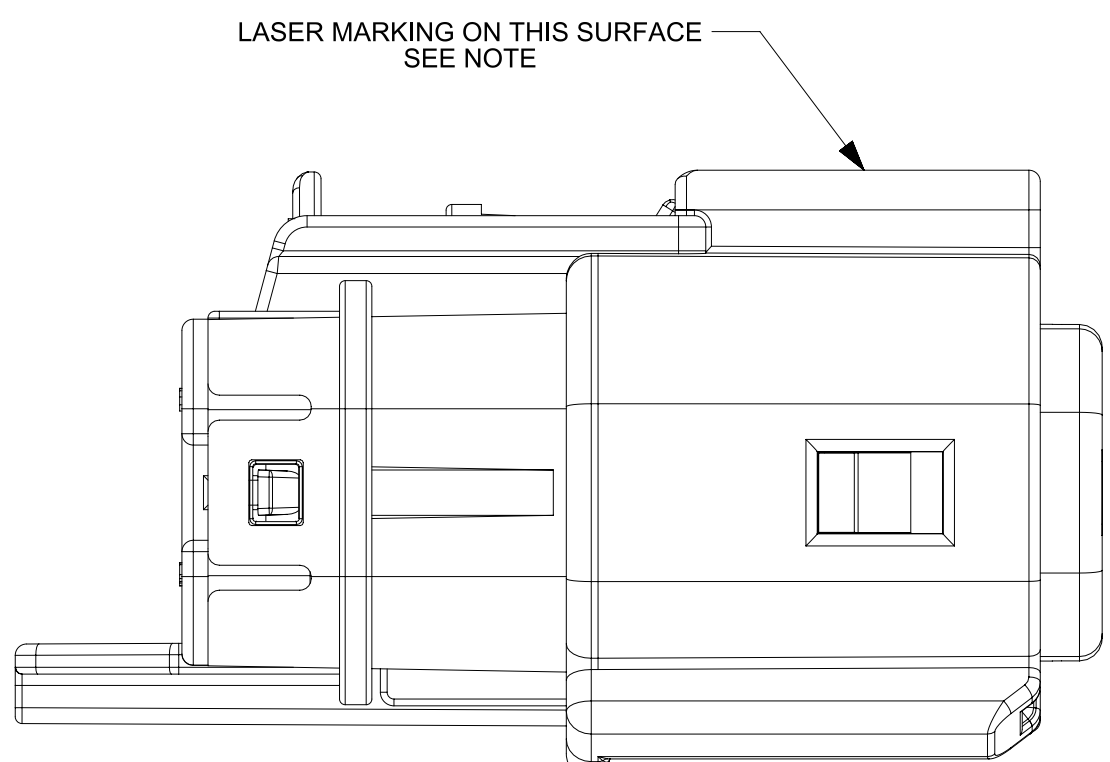
12W HYBRID



FUNCTIONAL SYMBOLS	THIS DRAWING CONTAINS INFORMATION THAT IS PROPRIETARY TO MOLEX ELECTRONIC TECHNOLOGIES, LLC AND SHOULD NOT BE USED WITHOUT WRITTEN PERMISSION		CURRENT REV DESC: SEE REVISION TABLE				
	DIMENSION UNITS	SCALE					
$\nabla_A = 0$	mm	3:1	GENERAL TOLERANCES (UNLESS SPECIFIED)		PHASE: Design Production CO NO: CO-00000522 DRWN: Srikanth CV 2022-02-16 CHK'D: Chaitra D 2022-02-17 APPR: Gurunandan GA 2022-02-17		
$\nabla_C = 0$	ANGULAR TOL $\pm 0.5^\circ$						
$\nabla_D = 0$	4 PLACES ± 0.0000		INITIAL REVISION:		DOCUMENT NUMBER 1601110000		
DIVISIONAL SYMBOLS	3 PLACES ± 0.0000						
	2 PLACES ± 0.000		DRWN: Srikanth CV 2022-02-16		PSD	000	D6
	1 PLACE ± 0.00		APPR: Gurunandan GA 2022-02-17		MATERIAL NUMBER	CUSTOMER	
	0 PLACES ± 0.00		DRAFT WHERE APPLICABLE MUST REMAIN WITHIN DIMENSIONS		160111	CHARTED	
	THIRD ANGLE PROJECTION		DRAWING	SERIES	SHEET NUMBER		
			D-SIZE	160111	3 OF 7		

SEE NOTES

SHEET DESCRIPTION
RECEPTACLE CONNECTOR ASSEMBLY



FUNCTIONAL SYMBOLS		THIS DRAWING CONTAINS INFORMATION THAT IS PROPRIETARY TO MOLEX ELECTRONIC TECHNOLOGIES, LLC AND SHOULD NOT BE USED WITHOUT WRITTEN PERMISSION		CURRENT REV DESC: SEE REVISION TABLE	
$\nabla_A = 0$	mm	SCALE	4:1		
$\nabla_C = 0$	GENERAL TOLERANCES (UNLESS SPECIFIED)		PHASE: Design Production		
$\nabla_D = 0$	ANGULAR TOL	± 0.5°	CO NO: CO-00000522	2022-02-16	
DIVISIONAL SYMBOLS	4 PLACES	± 0.0000	DRWN: Srikanth CV	2022-02-17	
	3 PLACES	± 0.0000	CHK'D: Chaitra D	2022-02-17	
	2 PLACES	± 0.000	APPR: Gurunandan GA	2022-02-17	
	1 PLACE	± 0.00	INITIAL REVISION:		
0 PLACES	± 0.00	DRWN: Srikanth CV	2022-02-16		
DRAFT WHERE APPLICABLE MUST REMAIN WITHIN DIMENSIONS		THIRD ANGLE PROJECTION	DRAWING	SERIES	MATERIAL NUMBER
			D-SIZE	160111	1601110000
					PSD 000 D6
					PRODUCT SALES DRAWING
					DOCUMENT NUMBER
					REVISION
					4 OF 7

SEE NOTES

molex

MX150 HYBRID MAT SEAL RCPT CONN ASM

PRODUCT SALES DRAWING

DOCUMENT NUMBER: 1601110000

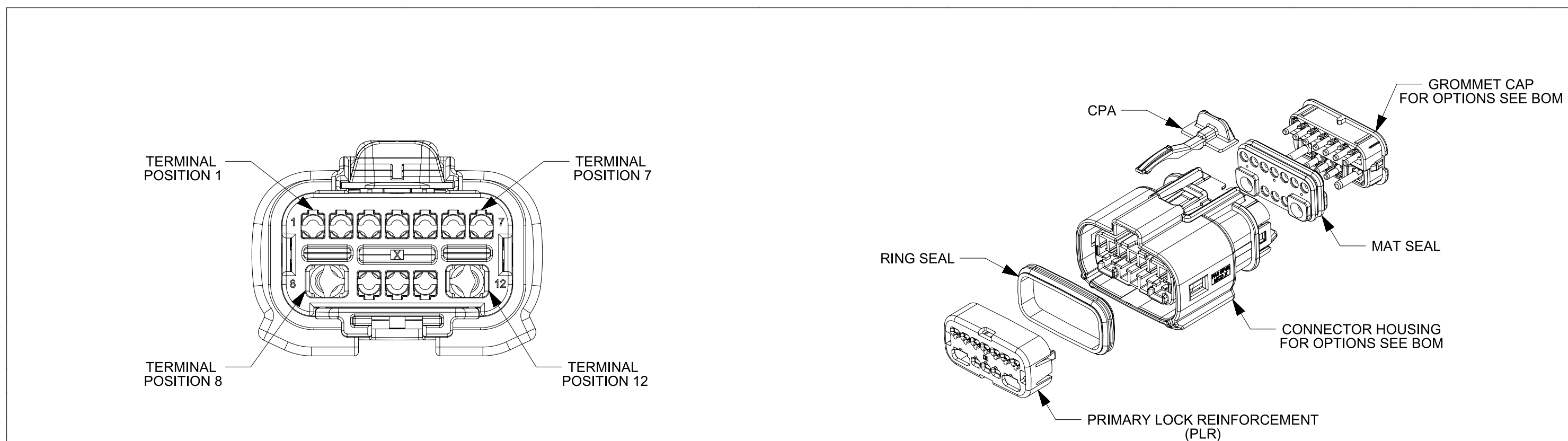
DOC TYPE: PSD

DOC PART: 000

REVISION: D6

SHEET NUMBER: 4 OF 7

SHEET DESCRIPTION
12W HYBRID CONNECTOR BOM



ABBREVIATION	DESCRIPTION	COLOR	MATERIAL
A-BLK-ECLIP	HOUSING KEYING OPTION A W/ EXTENDED CLIP	BLACK	PA6 GF40
B-LG-ECLIP	HOUSING KEYING OPTION B W/ EXTENDED CLIP	LIGHT GRAY	PA6 GF40
C-DG-ECLIP	HOUSING KEYING OPTION C W/ EXTENDED CLIP	DARK GRAY	PA6 GF40
D-SG-ECLIP	HOUSING KEYING OPTION D W/ EXTENDED CLIP	STONE GRAY	PA6 GF40
A-Y-ECLIP	HOUSING KEYING OPTION A W/ EXTENDED CLIP	YELLOW	PA6 GF40
A-BLK	HOUSING KEYING OPTION A NON CLIPSLOT	BLACK	PA6 GF40
B-LG	HOUSING KEYING OPTION B NON CLIPSLOT	LIGHT GRAY	PA6 GF40
C-DG	HOUSING KEYING OPTION C NON CLIPSLOT	DARK GRAY	PA6 GF40
D-SG	HOUSING KEYING OPTION D NON CLIPSLOT	STONE GRAY	PA6 GF40
A-Y	HOUSING KEYING OPTION A NON CLIPSLOT	YELLOW	PA6 GF40
GCP-ECLIP	GROMMET CAP (PLUGGED) EXTENDED CLIPSLOT	BLACK	PA6 GF40
GCP	GROMMET CAP (PLUGGED) NON CLIPSLOT	BLACK	PA6 GF40
PLR	PLR	NATURAL	PA6 GF40
CPA	CPA	RED	PBT GF20
M	MAT SEAL	LIGHT BLUE	INHERENTLY LUBRICATED SILICONE
R	RING SEAL	RUST RED	INHERENTLY LUBRICATED SILICONE

ASSEMBLY DESCRIPTION	ASSEMBLY PART NUMBER	COMPONENT						BLOCKED TERMINALS												STATUS	COMMENTS	OPTIONAL ATTACHMENTS SOLD SEPERATELY	
		THE PRESENCE OF AN ABBREVIATION INDICATES THE PRESENCE OF THAT COMPONENT.						CAVITY WITH A NUMBER INDICATES BLOCKED TERMINAL POSITION CAVITY WITHOUT A NUMBER INDICATES OPEN TERMINAL POSITION														BACKSHELL WITH RIBS	BACKSHELL WITHOUT RIBS
		HOUSING KEY/COLOR	GROMMET CAP	PLR	CPA	MAT SEAL	RING SEAL	1	2	3	4	5	6	7	8	9	10	11	12				
KEY A, BLACK, W/O CPA	160111-6001	A-BLK	GCP	PLR		M	R													SALEABLE			
KEY B, LIGHT GRAY, W/O CPA	160111-6002	B-LG	GCP	PLR		M	R													SALEABLE			
KEY C, DARK GRAY, W/O CPA	160111-6003	C-DG	GCP	PLR		M	R													SALEABLE			
KEY D, STONE GRAY, W/O CPA	160111-6004	D-SG	GCP	PLR		M	R													SALEABLE			
KEY A, YELLOW, W/O CPA	160111-6005	A-Y	GCP	PLR		M	R													OK TO TOOL			
KEY A, BLACK, W/ CPA	160111-6006	A-BLK	GCP	PLR	CPA	M	R													SALEABLE			
KEY B, LIGHT GRAY, W/ CPA	160111-6007	B-LG	GCP	PLR	CPA	M	R													SALEABLE			
KEY C, DARK GRAY, W/ CPA	160111-6008	C-DG	GCP	PLR	CPA	M	R													SALEABLE			
KEY D, STONE GRAY, W/ CPA	160111-6009	D-SG	GCP	PLR	CPA	M	R													SALEABLE			
KEY A, YELLOW, W/ CPA	160111-6010	A-Y	GCP	PLR	CPA	M	R													OK TO TOOL			
KEY A, BLACK, W/O CPA, W/ EX. CLIPSLOT	160111-6011	A-BLK-ECLIP	GCP-ECLIP	PLR		M	R													SALEABLE			
KEY B, LIGHT GRAY, W/O CPA, W/ EX. CLIPSLOT	160111-6012	B-LG-ECLIP	GCP-ECLIP	PLR		M	R													SALEABLE			
KEY C, DARK GRAY, W/O CPA, W/ EX. CLIPSLOT	160111-6013	C-DG-ECLIP	GCP-ECLIP	PLR		M	R													SALEABLE			
KEY D, STONE GRAY, W/O CPA, W/ EX. CLIPSLOT	160111-6014	D-SG-ECLIP	GCP-ECLIP	PLR		M	R													SALEABLE			
KEY A, YELLOW, W/O CPA, W/ EX. CLIPSLOT	160111-6015	A-Y-ECLIP	GCP-ECLIP	PLR		M	R													OK TO TOOL			
KEY A, BLACK, W/ CPA, W/ EX. CLIPSLOT	160111-6016	A-BLK-ECLIP	GCP-ECLIP	PLR	CPA	M	R													SALEABLE			
KEY B, LIGHT GRAY, W/ CPA, W/ EX. CLIPSLOT	160111-6017	B-LG-ECLIP	GCP-ECLIP	PLR	CPA	M	R													SALEABLE			
KEY C, DARK GRAY, W/ CPA, W/ EX. CLIPSLOT	160111-6018	C-DG-ECLIP	GCP-ECLIP	PLR	CPA	M	R													SALEABLE			
KEY D, STONE GRAY, W/ CPA, W/ EX. CLIPSLOT	160111-6019	D-SG-ECLIP	GCP-ECLIP	PLR	CPA	M	R													SALEABLE			
KEY A, YELLOW, W/ CPA, W/ EX. CLIPSLOT	160111-6020	A-Y-ECLIP	GCP-ECLIP	PLR	CPA	M	R													OK TO TOOL			
KEY A, BLACK, W/ CPA, W/ EX. CLIPSLOT	160111-6021	A-BLK-ECLIP	GCP-ECLIP	PLR	CPA	M	R				3	4	5	6	7		9	10	11	SALEABLE			
KEY A, BLACK, W/ CPA, W/ EX. CLIPSLOT	160111-6022	A-BLK-ECLIP	GCP-ECLIP	PLR	CPA	M	R	1	2	3	4	5	6	7	8			10		SALEABLE			
KEY A, BLACK, W/ CPA, W/ EX. CLIPSLOT	160111-6023	A-BLK-ECLIP	GCP-ECLIP	PLR	CPA	M	R	1			4	5	6	7	8					SALEABLE			
KEY A, BLACK, W/ CPA, W/ EX. CLIPSLOT	160111-6024	A-BLK-ECLIP	GCP-ECLIP	PLR	CPA	M	R	1	2	3	4	5				8		10		SALEABLE			
KEY A, BLACK, W/ CPA, W/ EX. CLIPSLOT	160111-6025	A-BLK-ECLIP	GCP-ECLIP	PLR	CPA	M	R	1			4	5				8				SALEABLE			
KEY A, BLACK, W/ CPA, W/ EX. CLIPSLOT	160111-6026	A-BLK-ECLIP	GCP-ECLIP	PLR	CPA	M	R	1	2	3								10		SALEABLE			
KEY A, BLACK, W/ CPA, W/ EX. CLIPSLOT	160111-6027	A-BLK-ECLIP	GCP-ECLIP	PLR	CPA	M	R	1												SALEABLE			
KEY A, BLACK, W/ CPA, W/ EX. CLIPSLOT	160111-6028	A-BLK-ECLIP	GCP-ECLIP	PLR	CPA	M	R		2	3	4	5	6	7	8			10		SALEABLE			
KEY A, BLACK, W/ CPA, W/ EX. CLIPSLOT	160111-6029	A-BLK-ECLIP	GCP-ECLIP	PLR	CPA	M	R				4	5	6	7	8					SALEABLE			
KEY A, BLACK, W/ CPA, W/ EX. CLIPSLOT	160111-6030	A-BLK-ECLIP	GCP-ECLIP	PLR	CPA	M	R		2	3	4	5				8		10		SALEABLE			
KEY A, BLACK, W/ CPA, W/ EX. CLIPSLOT	160111-6031	A-BLK-ECLIP	GCP-ECLIP	PLR	CPA	M	R				4	5				8				SALEABLE			
KEY A, BLACK, W/ CPA, W/ EX. CLIPSLOT	160111-6032	A-BLK-ECLIP	GCP-ECLIP	PLR	CPA	M	R			2	3							10		SALEABLE			
KEY A, BLACK, W/ CPA, W/ EX. CLIPSLOT	160111-6033	A-BLK-ECLIP	GCP-ECLIP	PLR	CPA	M	R	1	2	3	4	5	6	7	8			10		SALEABLE			
KEY A, BLACK, W/ CPA, W/ EX. CLIPSLOT	160111-6034	A-BLK-ECLIP	GCP-ECLIP	PLR	CPA	M	R								7	8	9	10	11	12	SALEABLE		
KEY A, BLACK, W/ CPA, W/ EX. CLIPSLOT	160111-6035	A-BLK-ECLIP	GCP-ECLIP	PLR	CPA	M	R									8		10	11	12	SALEABLE		
KEY A, BLACK, W/ CPA, W/ EX. CLIPSLOT	160111-6036	A-BLK-ECLIP	GCP-ECLIP	PLR	CPA	M	R	1	2	3	4	5	6	7		9		12		SALEABLE			
KEY A, BLACK, W/ CPA, W/ EX. CLIPSLOT	160111-6037	A-BLK-ECLIP	GCP-ECLIP	PLR	CPA	M	R							7		9			12	SALEABLE			
KEY A, BLACK, W/ CPA, W/ EX. CLIPSLOT	160111-6038	A-BLK-ECLIP	GCP-ECLIP	PLR	CPA	M	R												12	SALEABLE			
KEY A, BLACK, W/ CPA	160111-6039	A-BLK	GCP	PLR	CPA	M	R			3				7		9	10	11		SALEABLE			
KEY A, BLACK, W/ CPA	160111-6040	A-BLK	GCP	PLR	CPA	M	R							7		9	10			SALEABLE			
KEY A, BLACK, W/ CPA	160111-6041	A-BLK	GCP	PLR	CPA	M	R					4	5	6	7		9	10		SALEABLE			
KEY A, BLACK, W/ CPA	160111-6042	A-BLK	GCP	PLR	CPA	M	R				3	4	5	6	7		9	10	11	SALEABLE			
KEY A, BLACK, W/ CPA	160111-6043	A-BLK	GCP	PLR	CPA	M	R	1	2	3					7	8	9	10	11	12	SALEABLE		
KEY A, BLACK, W/ CPA	160111-6044	A-BLK	GCP	PLR	CPA	M	R	1	2						7	8	9	10		12	SALEABLE		
KEY A, BLACK, W/ CPA	160111-6045	A-BLK	GCP	PLR	CPA	M	R	1	2			4	5	6	7	8	9	10		12	SALEABLE		

FUNCTIONAL SYMBOLS FA = 0 FE = 0 FP = 0 DIVISIONAL SYMBOLS	THIS DRAWING CONTAINS INFORMATION THAT IS PROPRIETARY TO MOLEX ELECTRONIC TECHNOLOGIES, LLC AND SHOULD NOT BE USED WITHOUT WRITTEN PERMISSION		CURRENT REV DESC: SEE REVISION TABLE	
	DIMENSION UNITS: mm SCALE: 1:1	PHASE: Design Production CO NO: CO-00000522 DRWN: Srikanth CV CHK'D: Chaitra D APPR: Gurunandan GA		
	GENERAL TOLERANCES (UNLESS SPECIFIED) ANGULAR TOL ± 0.5° 4 PLACES ± 0.0000 3 PLACES ± 0.0000 2 PLACES ± 0.000 1 PLACE ± 0.00 0 PLACES ± 0.00			
DRAFT WHERE APPLICABLE MUST REMAIN WITHIN DIMENSIONS		THIRD ANGLE PROJECTION	DRAWING: D-SIZE SERIES: 160111	MATERIAL NUMBER: CHARTED CUSTOMER:
INITIAL REVISION: DRWN: Srikanth CV APPR: Gurunandan GA		2022-02-16 2022-02-17 2022-02-17	PRODUCT SALES DRAWING DOCUMENT NUMBER: 1601110000 DOC TYPE: PSD DOC PART: 000 REVISION: D6	SHEET NUMBER: 5 OF 7

molex

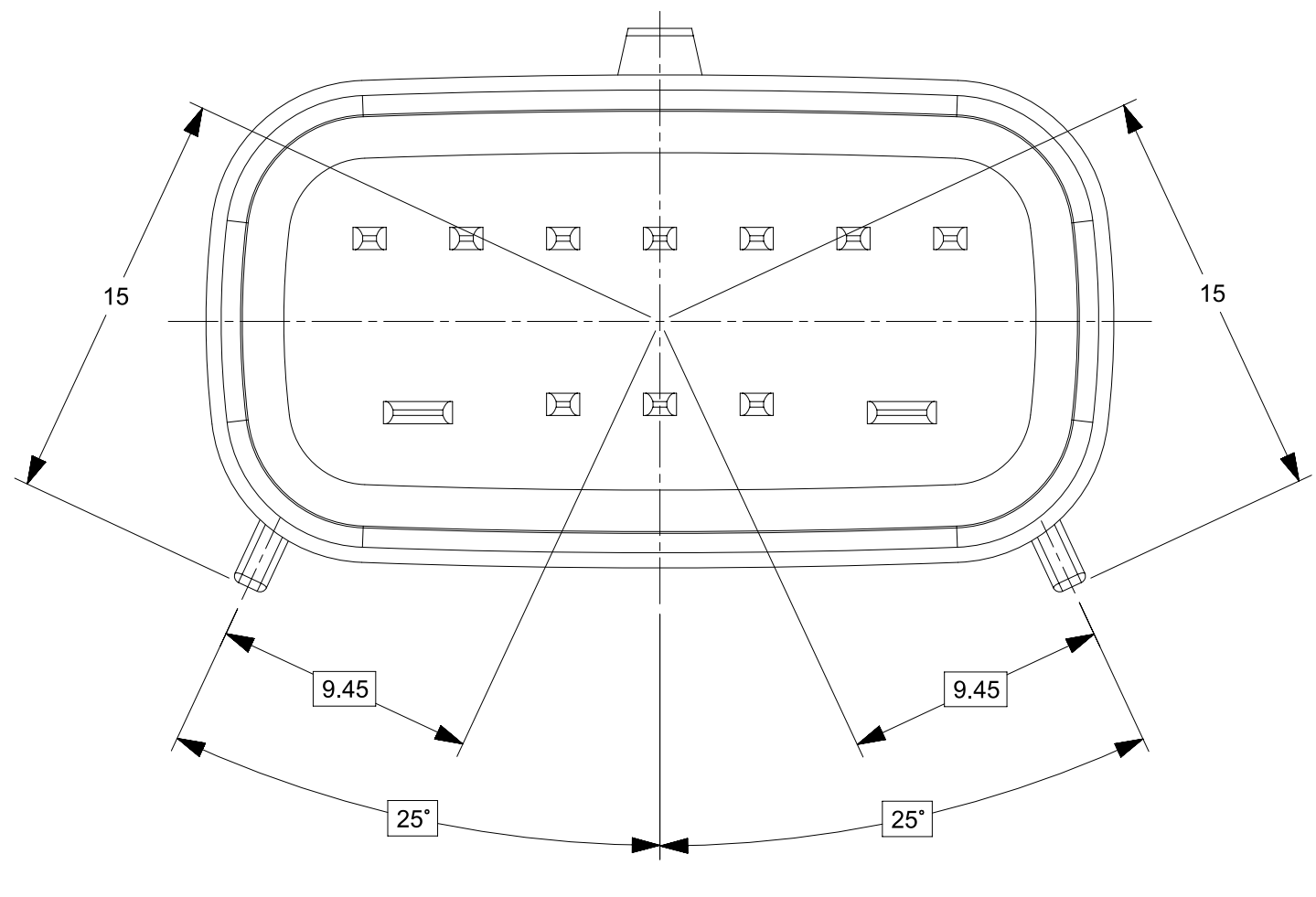
MX150 HYBRID MAT SEAL RCPT CONN ASM

PRODUCT SALES DRAWING

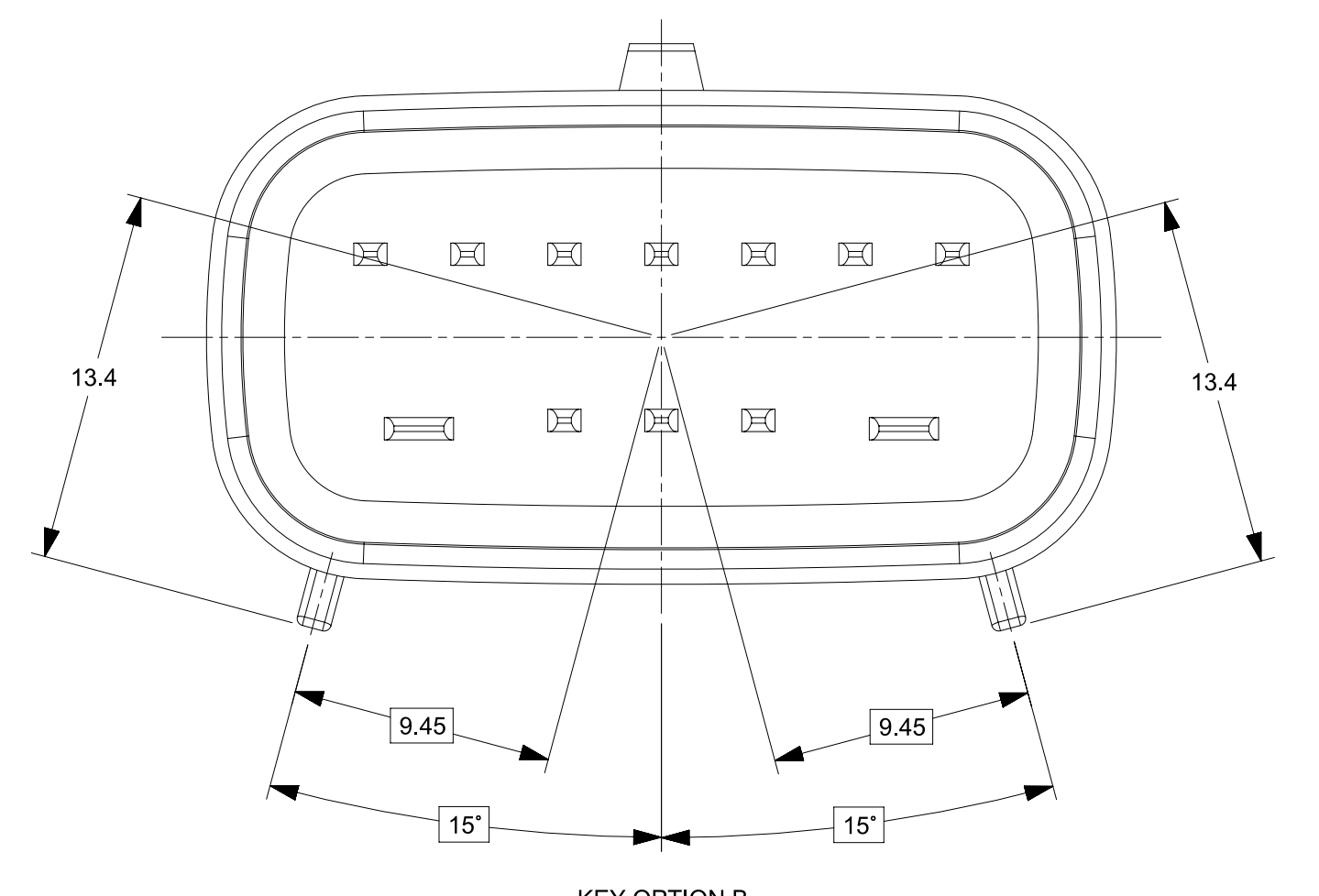
DOCUMENT NUMBER: 1601110000 DOC TYPE: PSD DOC PART: 000 REVISION: D6

SHEET NUMBER: 5 OF 7

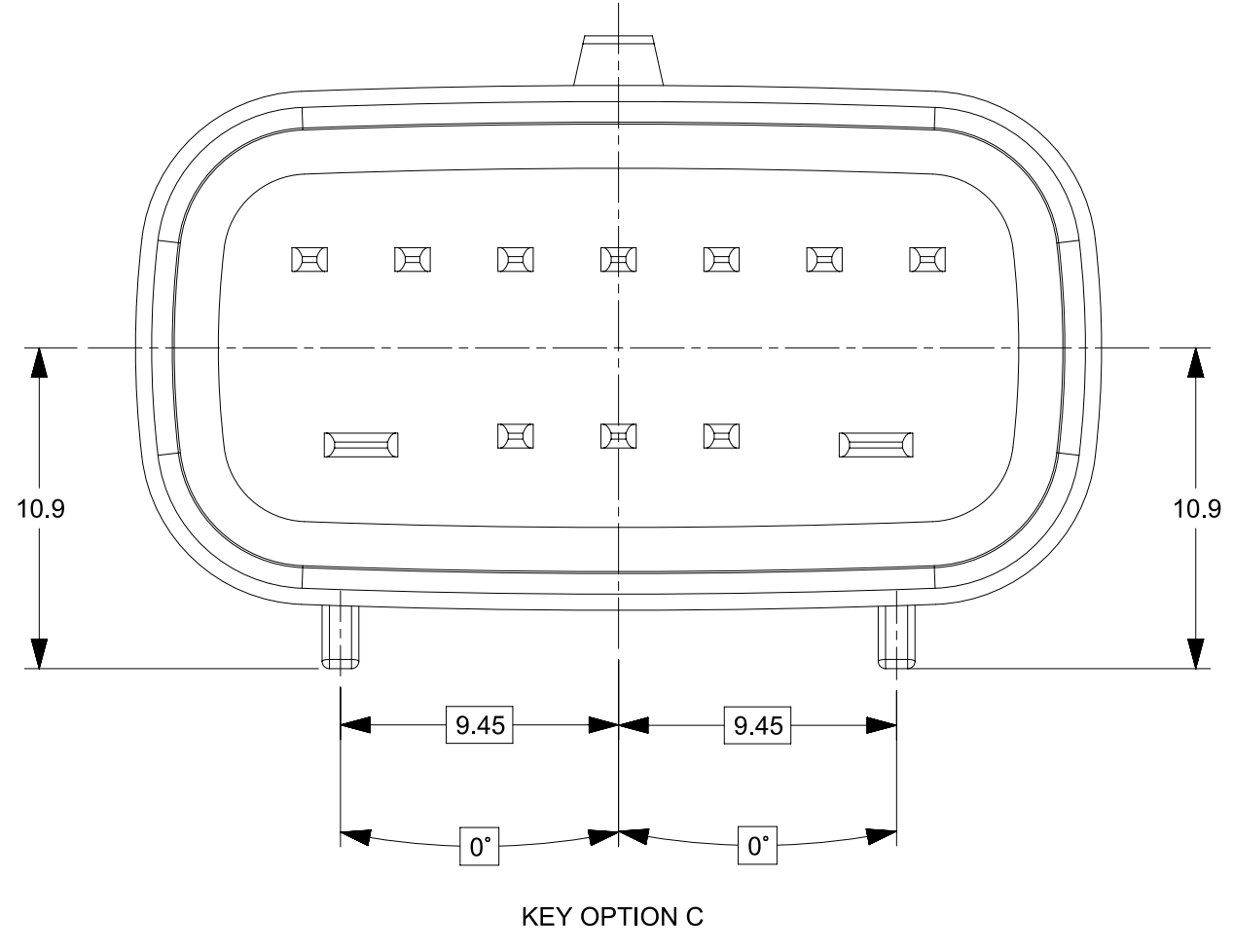
SHEET DESCRIPTION
12W HYBRID INTERFACE DEFINITION



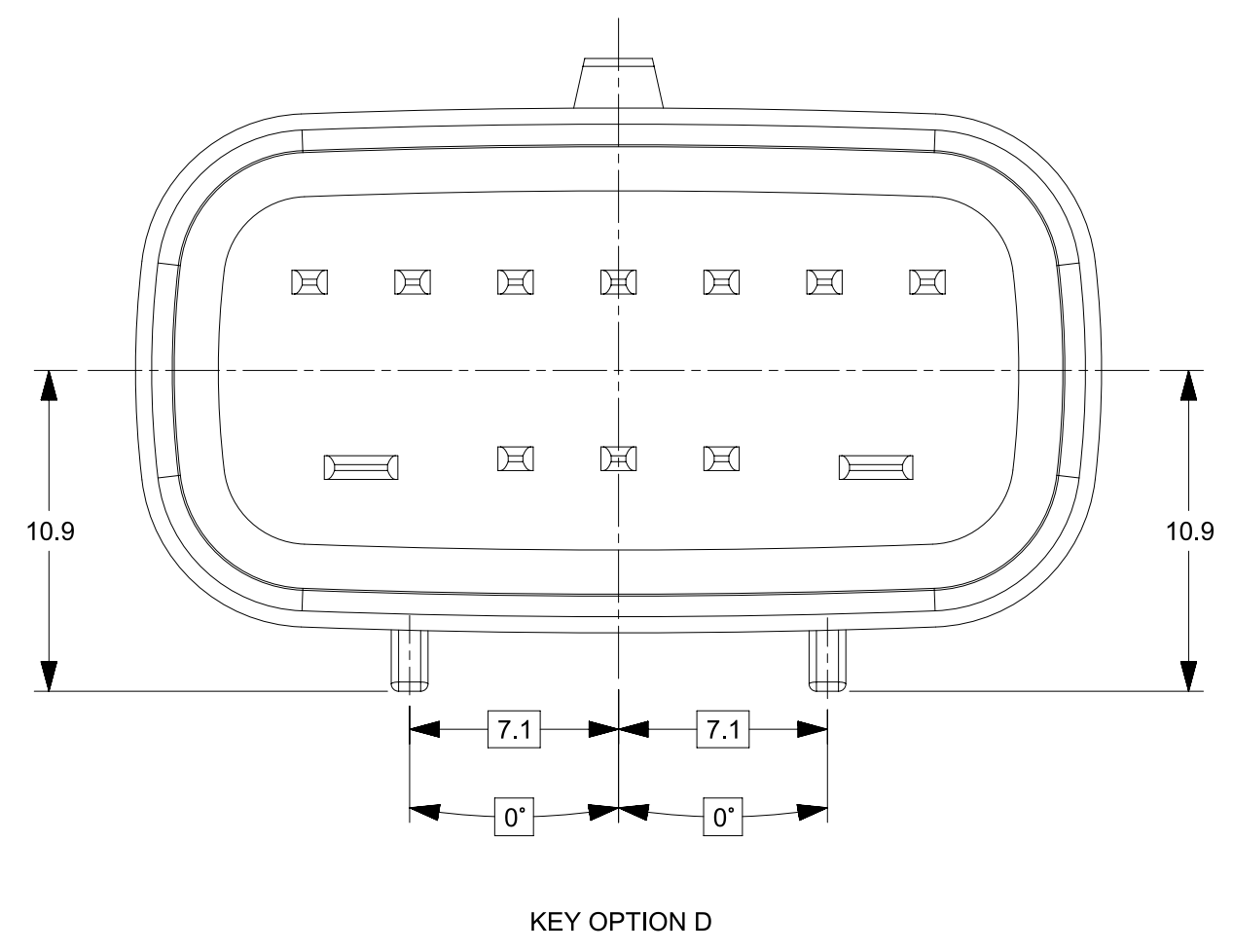
KEY OPTION A



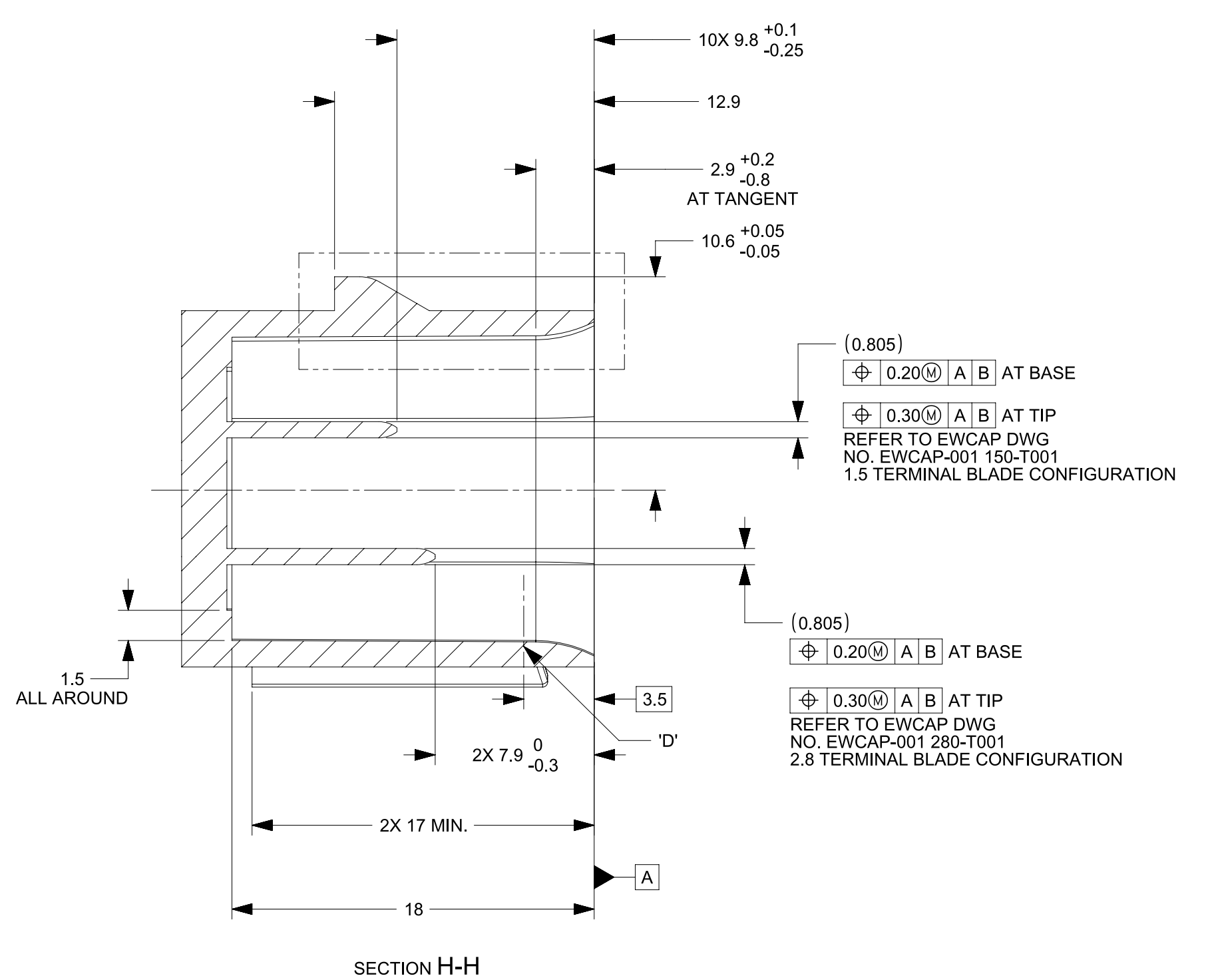
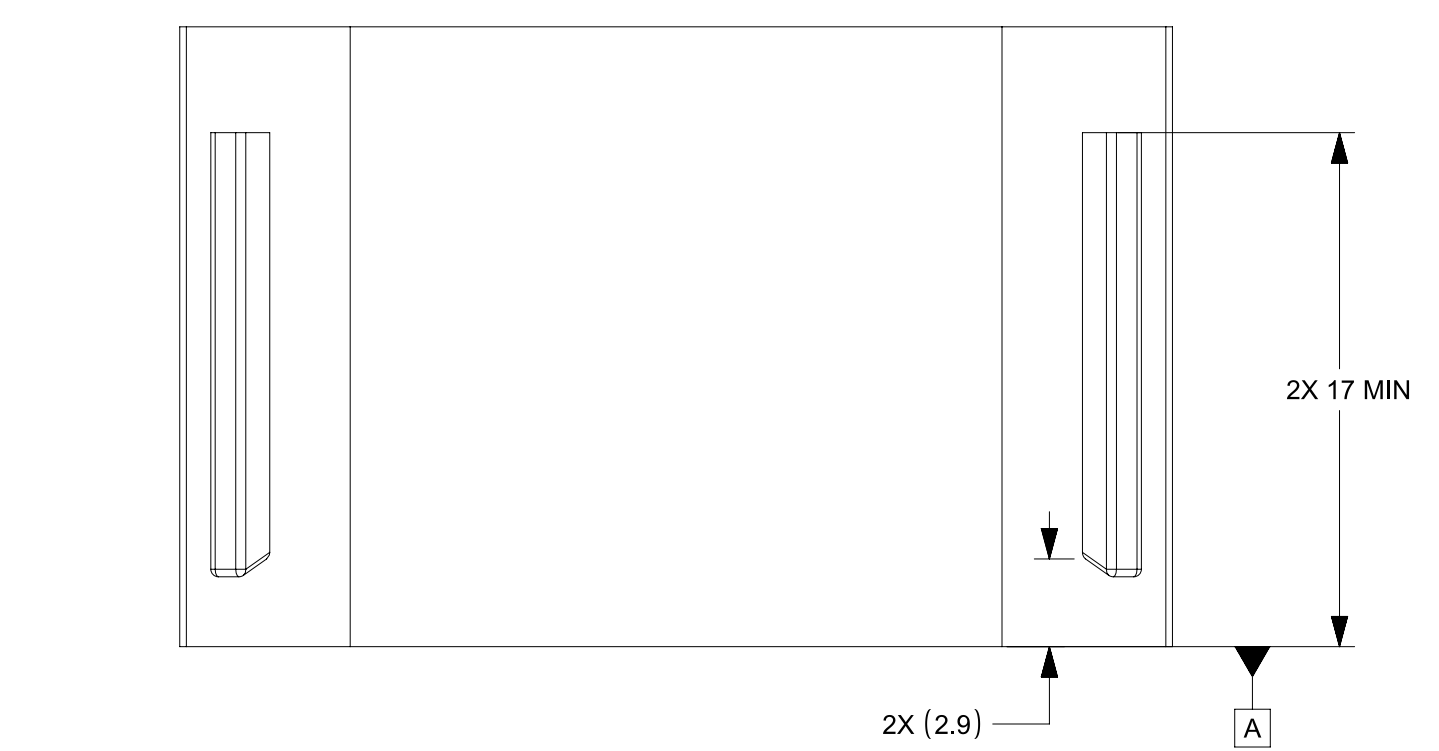
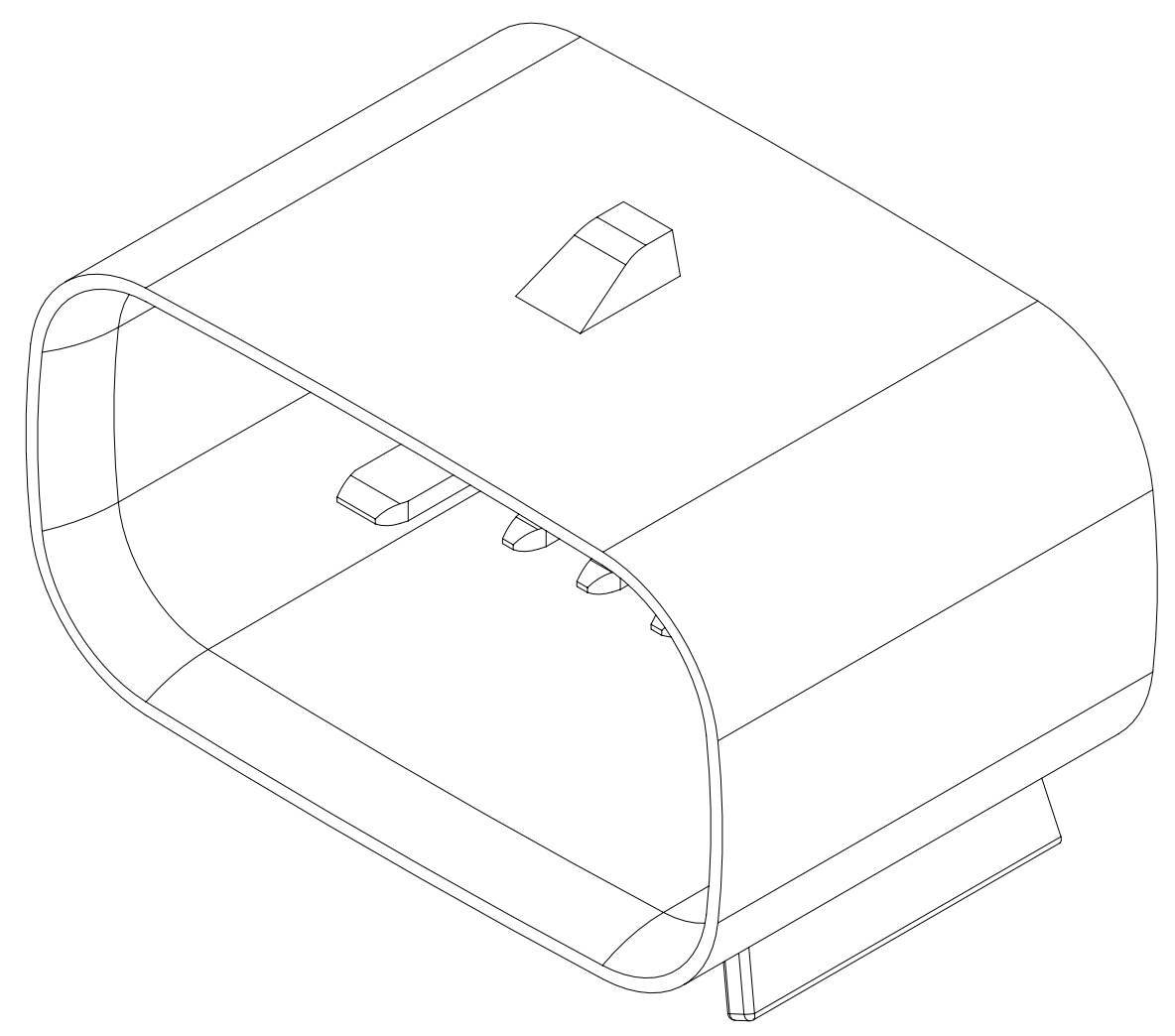
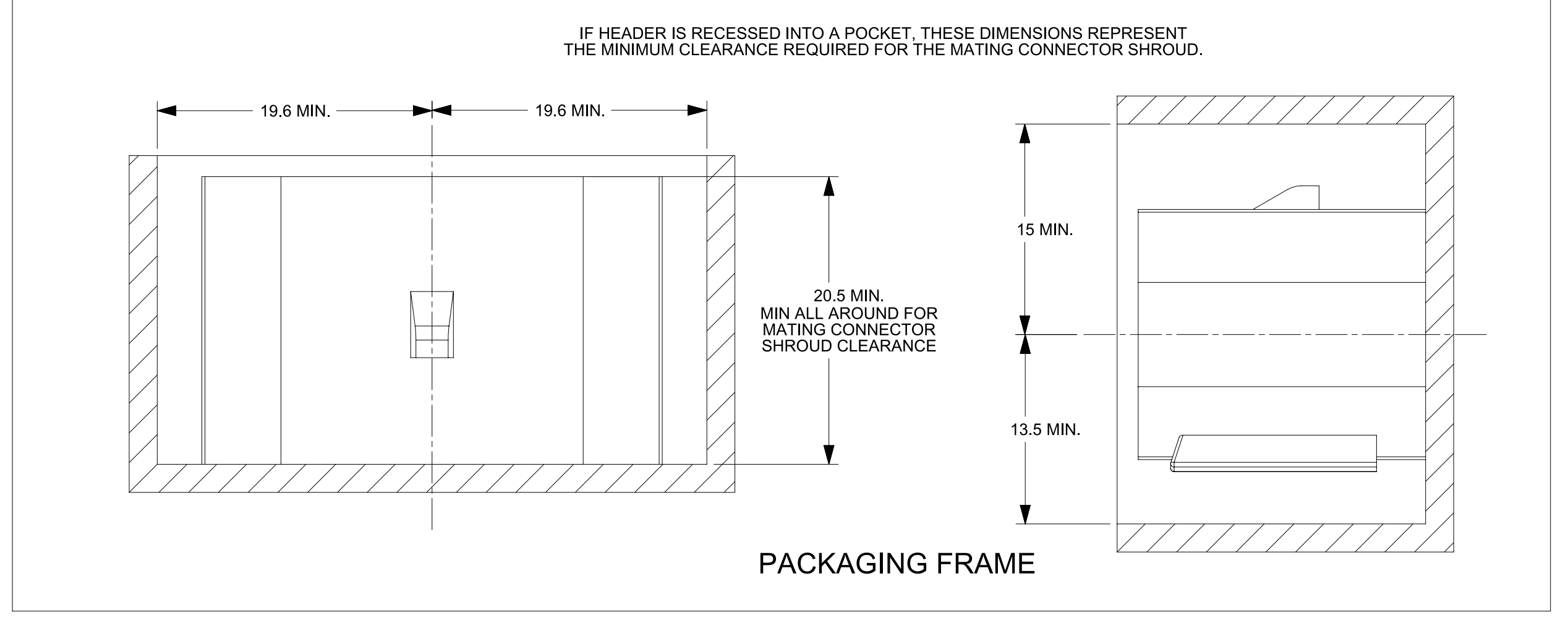
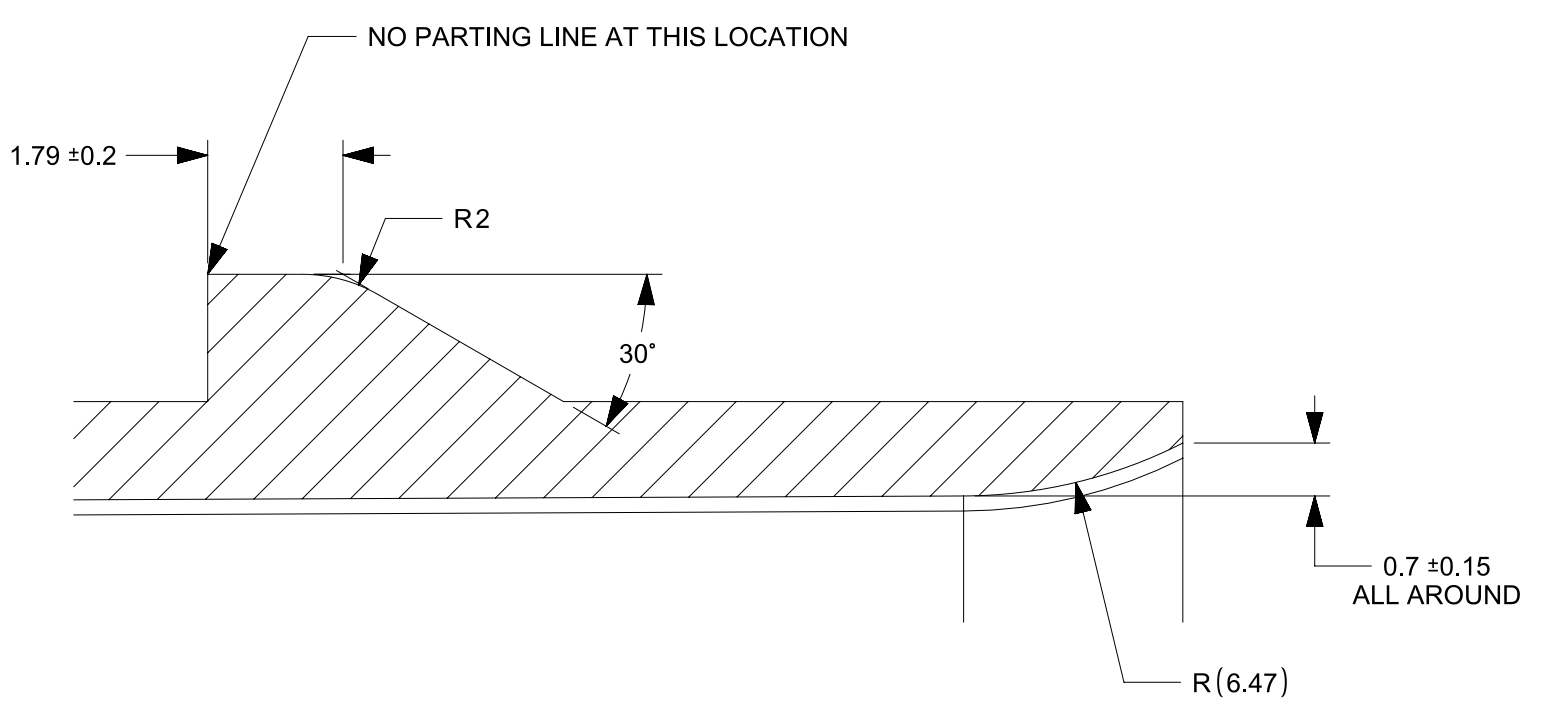
KEY OPTION B



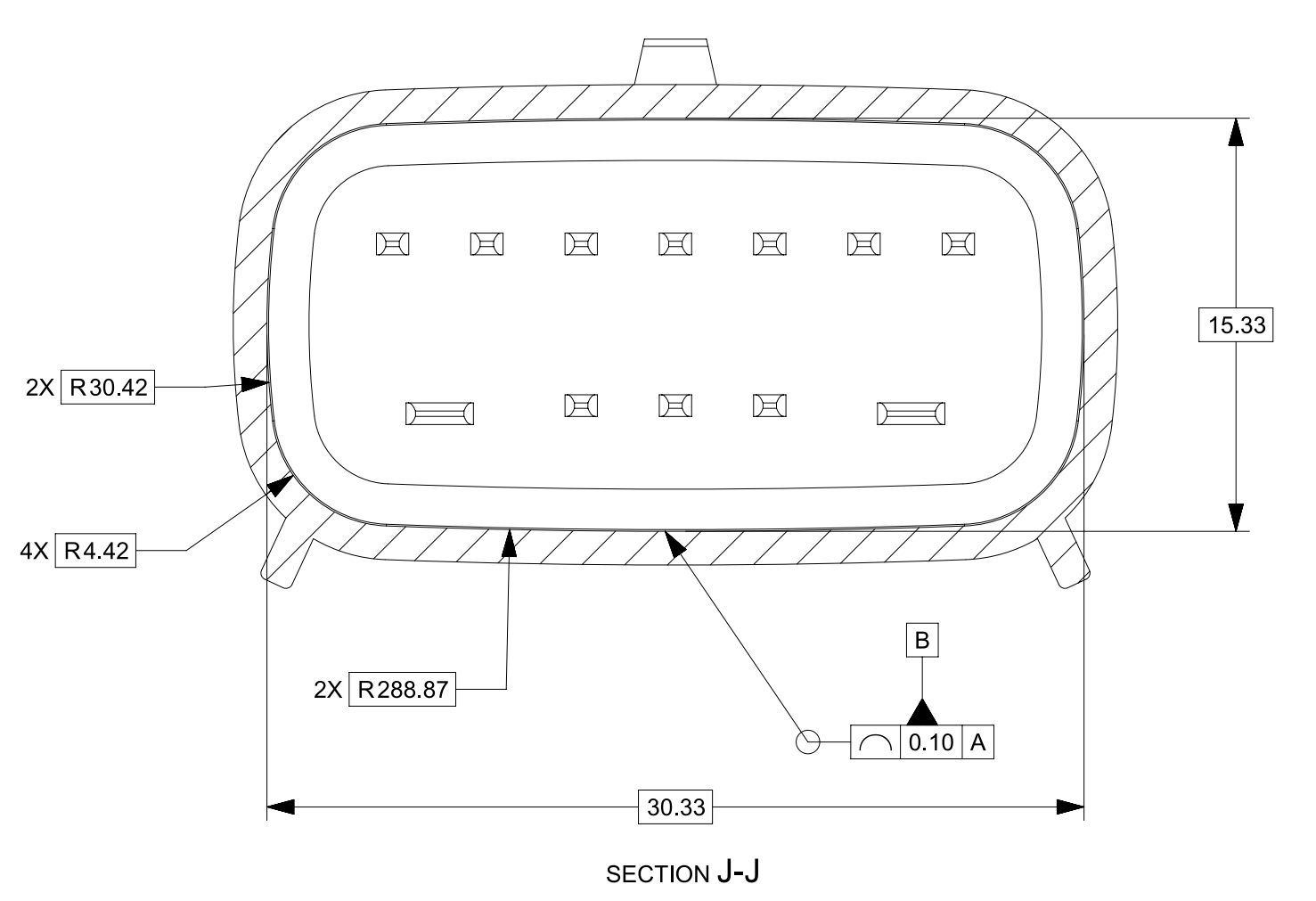
KEY OPTION C



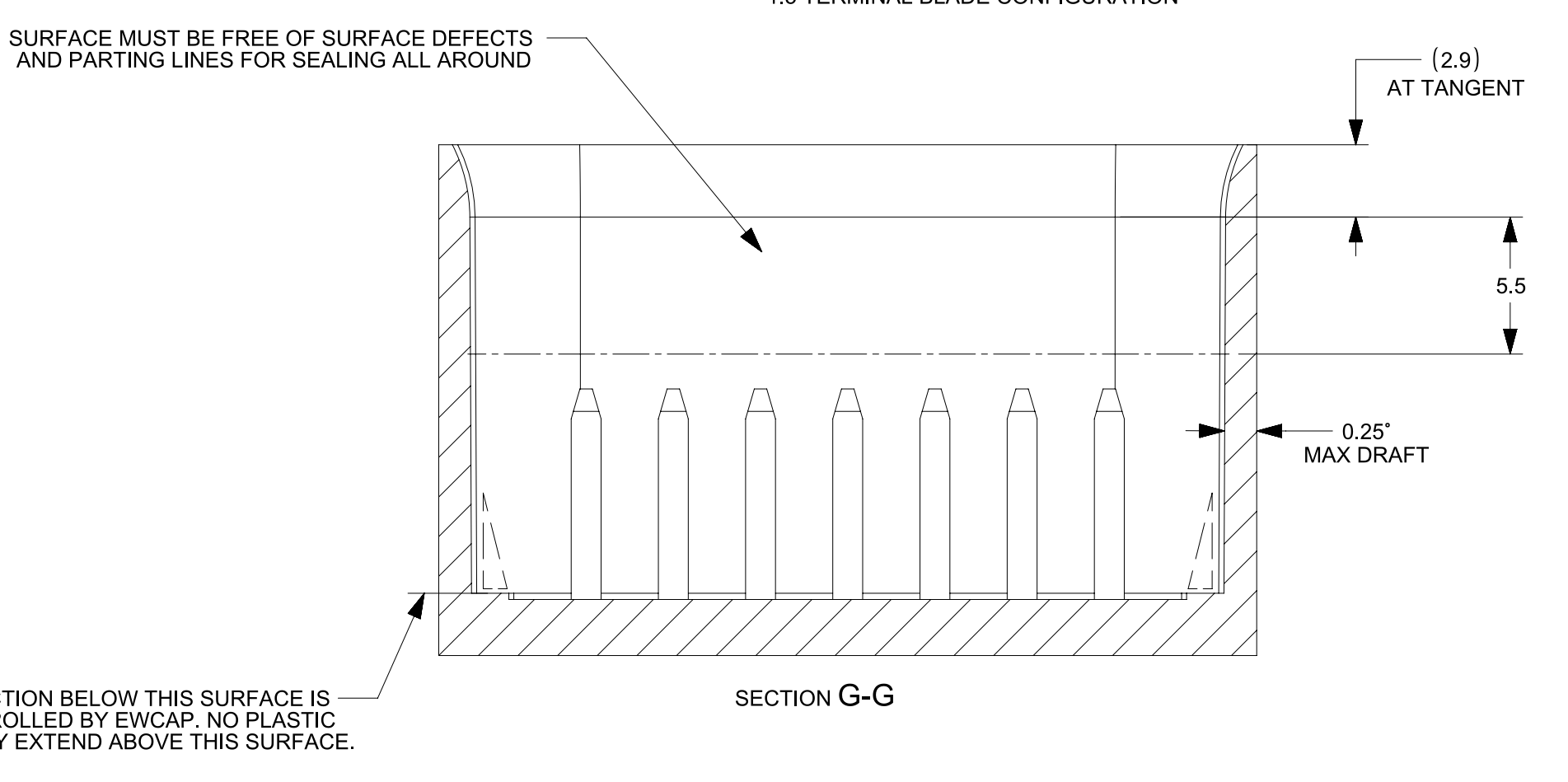
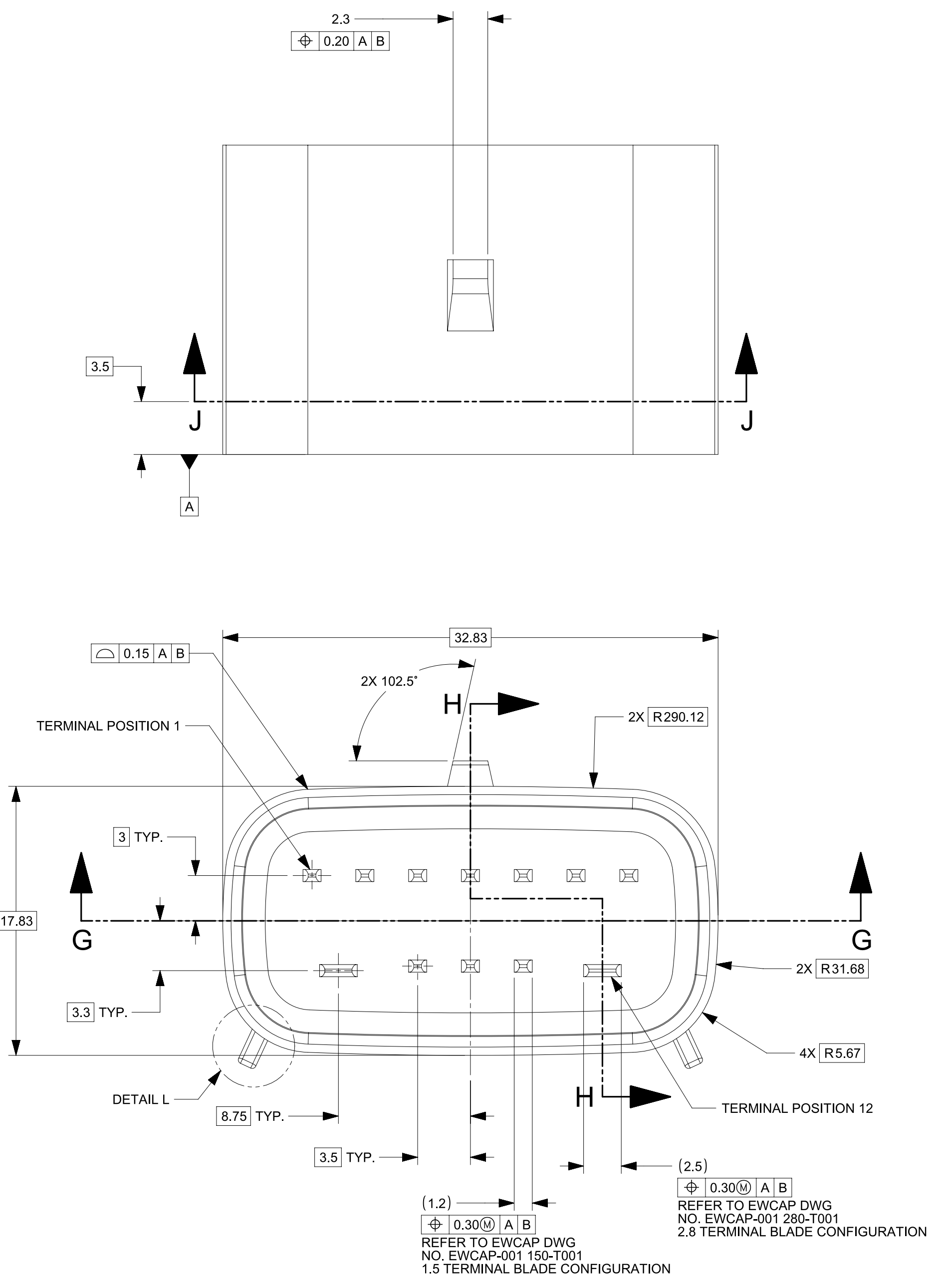
KEY OPTION D



SECTION H-H



SECTION J-J



SECTION G-G

- NOTES: UNLESS OTHERWISE SPECIFIED
- ALL DIMENSIONS SHOWN IN MILLIMETERS.
 - DIMENSIONING AND TOLERANCING PER ASME Y14.5M-1994
 - 0.25 RADII ON ALL CORNERS SHOWN SHARP.
 - UNSPECIFIED RADII: 0.25 EXCEPT AS NOTED.
 - STANDARD COLORS FOR POLARIZATION (SEE CHART). DEVIATION REQUIRES APPROVAL OF AUTHORIZED PERSON.
 - REFER TO "SAE/USCAR 12 CONNECTOR GUIDELINES" FOR ADDITIONAL REQUIREMENTS.
 - EXCEPT WHERE NOTED, DRAFT ON OUTSIDE SURFACES IS PERMISSIBLE WITHIN TOLERANCE.
 - SYMBOL INDICATES DRAFT DIRECTION.
 - FOR TERMINAL MATERIAL, DIMENSIONAL, AND COATING REQUIREMENTS AND ANY BLADE TERMINAL DESIGN INFORMATION NOT SHOWN ON THIS DRAWING SEE EWCAP DRW. NO. EWCAP-001
 - A FULL SHROUD ON THE MATING CONNECTOR IS REQUIRED TO INSURE THAT THE CONNECTOR-HEADER POLARIZATION FEATURES (OPTIONS A THRU D) WILL FUNCTION. THE FULL SHROUD ALSO PREVENT SCOOP DAMAGE TO THE HEADER PINS. REFER TO "SAE/USCAR-12 CONNECTOR DESIGN GUIDE LINES" FOR ADDITIONAL INFORMATION.
 - REFER TO USCAR/EWCAP PART LIST AS FOUND ON WEBSITE <http://www.uscarteams.org>
 - THIS IS 100% CAD GENERATED PART. THE CAD MATHEMATICAL DATA IS THE MASTER FOR THIS PART. FOR DIMENSIONAL OR ANY INFORMATION NOT SHOWN ON THIS DRAWING. ANALYZE THE CAD MODEL

NOTICE

THIS DRAWING OR PORTIONS OF IT, ARE CONTROLLED BY THE ELECTRICAL WIRING COMPONENTS APPLICATION PARTNERSHIP (EWCAP), A SUBGROUP OF THE UNITED STATES CONSORTIUM FOR AUTOMOTIVE RESEARCH LLC (USCAR). USCAR IS A PARTNERSHIP BETWEEN CHRYSLER GROUP LLC, FORD MOTOR COMPANY, AND GENERAL MOTORS CORPORATION. ANY CHANGE TO A EWCAP CONTROLLED PORTION OF THIS DRAWING, INCLUDING A "RECORD CHANGE" MUST BE APPROVED, IN WRITING, BY THE RESPONSIBLE EWCAP MEMBER FROM EACH USCAR COMPANY. EACH EWCAP MEMBER AUTHORIZED TO SIGN FOR HIS OR HER COMPANY IS RESPONSIBLE FOR OBTAINING ALL NECESSARY APPROVALS WITHIN THAT COMPANY PRIOR TO SIGNING FOR APPROVAL OF THE CHANGE. EWCAP EXPRESSLY PROHIBITS ANY PARTY FROM CHANGING EITHER ANY EWCAP CONTROLLED PORTION OF THIS DRAWING OR ANY ASSOCIATED TOOLING BEFORE RECEIVING AN APPROVAL SIGNED BY AN AUTHORIZED REPRESENTATIVE FROM EACH EWCAP PARTNER. REFERENCE TO THE SIGNED APPROVAL FORM MUST BE ENTERED IN THIS DRAWING'S CONTROL COLUMN.

999-S-012-2-D01	D	STONE GRAY
999-S-012-2-C01	C	DARK GRAY
999-S-012-2-B01	B	LIGHT GRAY
999-S-012-2-A01	A	BLACK
EWCAP P/N	OPTION	MATING CONNECTOR COLOR

A6	ADDED NOTES AND NOTICE	1/16/17	AD	MV
A	DESIGN RELEASE	4/18/16	AD	MV
LET	REVISION RECORD	DATE	DWN	CHK

FUNCTIONAL SYMBOLS		THIS DRAWING CONTAINS INFORMATION THAT IS PROPRIETARY TO MOLEX ELECTRONIC TECHNOLOGIES, LLC AND SHOULD NOT BE USED WITHOUT WRITTEN PERMISSION		CURRENT REV DESC: SEE REVISION TABLE	
$\nabla = 0$	mm	SCALE	1:1		
$\nabla = 0$	GENERAL TOLERANCES (UNLESS SPECIFIED)				
$\nabla = 0$	ANGULAR TOL	$\pm 0.5^\circ$	PHASE: Design Production		
	4 PLACES	± 0.00000	CO NO: CO-000000522		
	3 PLACES	± 0.0000	DRWN: Srikanth CV 2022-02-16		
	2 PLACES	± 0.000	CHK'D: Chaitra D 2022-02-17		
	1 PLACE	± 0.00	APPR: Gurunandan GA 2022-02-17		
	0 PLACES	± 0.00	INITIAL REVISION:		
	DRAFT WHERE APPLICABLE MUST REMAIN WITHIN DIMENSIONS		THIRD ANGLE PROJECTION	DRAWING	SERIES
			E-SIZE	160111	MATERIAL NUMBER
					CUSTOMER
					SHEET NUMBER

molex

MX150 HYBRID MAT SEAL RCPT CONN ASM

PRODUCT SALES DRAWING

DOCUMENT NUMBER: 1601110000 DOC TYPE: PSD DOC PART: 000 REVISION: D6

7 OF 7

SHEET DESCRIPTION
12W HYBRID CONNECTOR BOM

ASSEMBLY DESCRIPTION	ASSEMBLY PART NUMBER	COMPONENT						BLOCKED TERMINALS												STATUS	COMMENTS	OPTIONAL ATTACHMENTS SOLD SEPERATELY				
		THE PRESENCE OF AN ABBREVIATION INDICATES THE PRESENCE OF THAT COMPONENT.						CAVITY WITH A NUMBER INDICATES BLOCKED TERMINAL POSITION CAVITY WITHOUT A NUMBER INDICATES OPEN TERMINAL POSITION														BACKSHELL WITH RIBS	BACKSHELL WITHOUT RIBS			
		HOUSING KEY/COLOR	GROMMET CAP	PLR	CPA	MAT SEAL	RING SEAL	1	2	3	4	5	6	7	8	9	10	11	12							
KEY A, BLACK, W/ CPA, W/ EX. CLIPSLOT	160111-6046	A-BLK-ECLIP	GCP-ECLIP	PLR	CPA	M	R	1	2	3				7								SALEABLE				
KEY A, BLACK, W/ CPA, W/ EX. CLIPSLOT	160111-6047	A-BLK-ECLIP	GCP-ECLIP	PLR	CPA	M	R		2			4	5	6									SALEABLE			
KEY A, BLACK, W/ CPA, W/ EX. CLIPSLOT	160111-6048	A-BLK-ECLIP	GCP-ECLIP	PLR	CPA	M	R	1	2	3	4	5	6	7									SALEABLE			
KEY A, BLACK, W/ CPA, W/ EX. CLIPSLOT	160111-6049	A-BLK-ECLIP	GCP-ECLIP	PLR	CPA	M	R	1	2	3	4	5	6	7							11		SALEABLE			
KEY A, BLACK, W/ CPA, W/ EX. CLIPSLOT	160111-6050	A-BLK-ECLIP	GCP-ECLIP	PLR	CPA	M	R								9	10							SALEABLE			
KEY A, BLACK, W/ CPA, W/ EX. CLIPSLOT	160111-6051	A-BLK-ECLIP	GCP-ECLIP	PLR	CPA	M	R	1			3	4	5	6	7								SALEABLE			
KEY A, BLACK, W/ CPA, W/ EX. CLIPSLOT	160111-6052	A-BLK-ECLIP	GCP-ECLIP	PLR	CPA	M	R				4	5	6										SALEABLE			
KEY A, BLACK, W/ CPA, W/ EX. CLIPSLOT	160111-6053	A-BLK-ECLIP	GCP-ECLIP	PLR	CPA	M	R	1			3			7									SALEABLE			
KEY A, BLACK, W/ CPA	160111-6054	A-BLK	GCP	PLR	CPA	M	R					5		7							11	12	SALEABLE			
KEY A, BLACK, W/ CPA	160111-6055	A-BLK	GCP	PLR	CPA	M	R	1	2					7								12	SALEABLE			
KEY A, BLACK, W/ CPA	160111-6056	A-BLK	GCP	PLR	CPA	M	R							7								12	SALEABLE			
KEY A, BLACK, W/ CPA	160111-6057	A-BLK	GCP	PLR	CPA	M	R	1	2			5		7							11	12	SALEABLE			
KEY A, BLACK, W/ CPA, W/ EX. CLIPSLOT	160111-6058	A-BLK-ECLIP	GCP-ECLIP	PLR	CPA	M	R	1	2	3				7							11		SALEABLE			
KEY A, BLACK, W/O CPA, W/ EX. CLIPSLOT	160111-6059	A-BLK-ECLIP	GCP-ECLIP	PLR		M	R	1	2	3	4	5	6	7	8	9	10	11	12				SALEABLE			
KEY A, BLACK, W/O CPA	160111-6060	A-BLK	GCP	PLR		M	R									9	10						SALEABLE			
KEY A, BLACK, W/ CPA, W/ EX. CLIPSLOT	160111-6061	A-BLK-ECLIP	GCP-ECLIP	PLR	CPA	M	R								8								SALEABLE			
KEY A, BLACK, W/ CPA	160111-6062	A-BLK	GCP	PLR	CPA	M	R	1	2		4	5	6	7									SALEABLE			
KEY A, BLACK, W/ CPA	160111-6063	A-BLK	GCP	PLR	CPA	M	R		2	3	4		6	7		9	10						SALEABLE			
KEY A, BLACK, W/ CPA	160111-6064	A-BLK	GCP	PLR	CPA	M	R	1	2			5		7			10	11	12				SALEABLE			
KEY A, BLACK, W/ CPA	160111-6065	A-BLK	GCP	PLR	CPA	M	R	1	2					7			10		12				SALEABLE			
KEY A, BLACK, W/ CPA	160111-6066	A-BLK	GCP	PLR	CPA	M	R		2			5		7			10	11	12				SALEABLE			
KEY A, BLACK, W/ CPA	160111-6067	A-BLK	GCP	PLR	CPA	M	R		2					7			10		12				SALEABLE			
KEY A, BLACK, W/ CPA, W/ EX. CLIPSLOT	160111-6068	A-BLK-ECLIP	GCP-ECLIP	PLR	CPA	M	R				3	4	5	6							11		SALEABLE			
KEY A, BLACK, W/ CPA, W/ EX. CLIPSLOT	160111-6069	A-BLK-ECLIP	GCP-ECLIP	PLR	CPA	M	R				3	4	5	6	7	8	9	10	11	12			SALEABLE			

FUNCTIONAL SYMBOLS FA = 0 FC = 0 FP = 0 DIVISIONAL SYMBOLS	THIS DRAWING CONTAINS INFORMATION THAT IS PROPRIETARY TO MOLEX ELECTRONIC TECHNOLOGIES, LLC AND SHOULD NOT BE USED WITHOUT WRITTEN PERMISSION		CURRENT REV DESC: SEE REVISION TABLE		 MX150 HYBRID MAT SEAL RCPT CONN ASM PRODUCT SALES DRAWING
	DIMENSION UNITS	SCALE	PHASE: Design Production		
	mm	1:1	CO NO: CO-00000522		
	GENERAL TOLERANCES (UNLESS SPECIFIED)		DRWN: Srikanth CV 2022-02-16		
ANGULAR TOL ± 0.5°		CHK'D: Chaitra D 2022-02-17			
4 PLACES ± 0.0000		APPR: Gurunandan GA 2022-02-17			
3 PLACES ± 0.0000		INITIAL REVISION:			
2 PLACES ± 0.000		DRWN: Srikanth CV 2022-02-16			
1 PLACE ± 0.00		APPR: Gurunandan GA 2022-02-17			
0 PLACES ± 0.00		THIRD ANGLE PROJECTION			
DRAFT WHERE APPLICABLE MUST REMAIN WITHIN DIMENSIONS		DRAWING	SERIES	MATERIAL NUMBER	CUSTOMER
		D-SIZE	160111	CHARTED	
				DOCUMENT NUMBER	DOC TYPE DOC PART REVISION
				1601110000	PSD 000 D6
				SHEET NUMBER	
				6 OF 7	

SEE NOTES