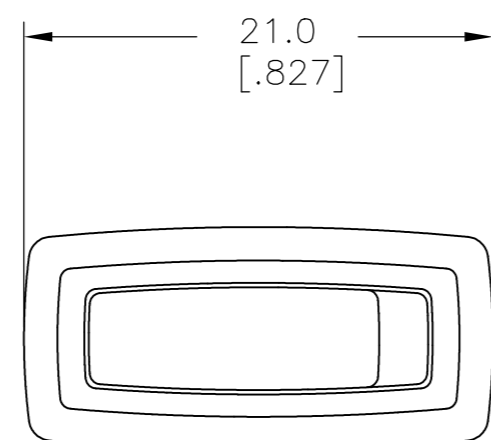
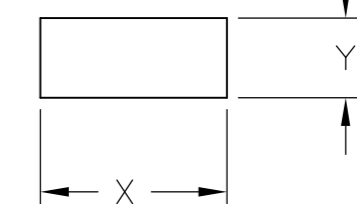


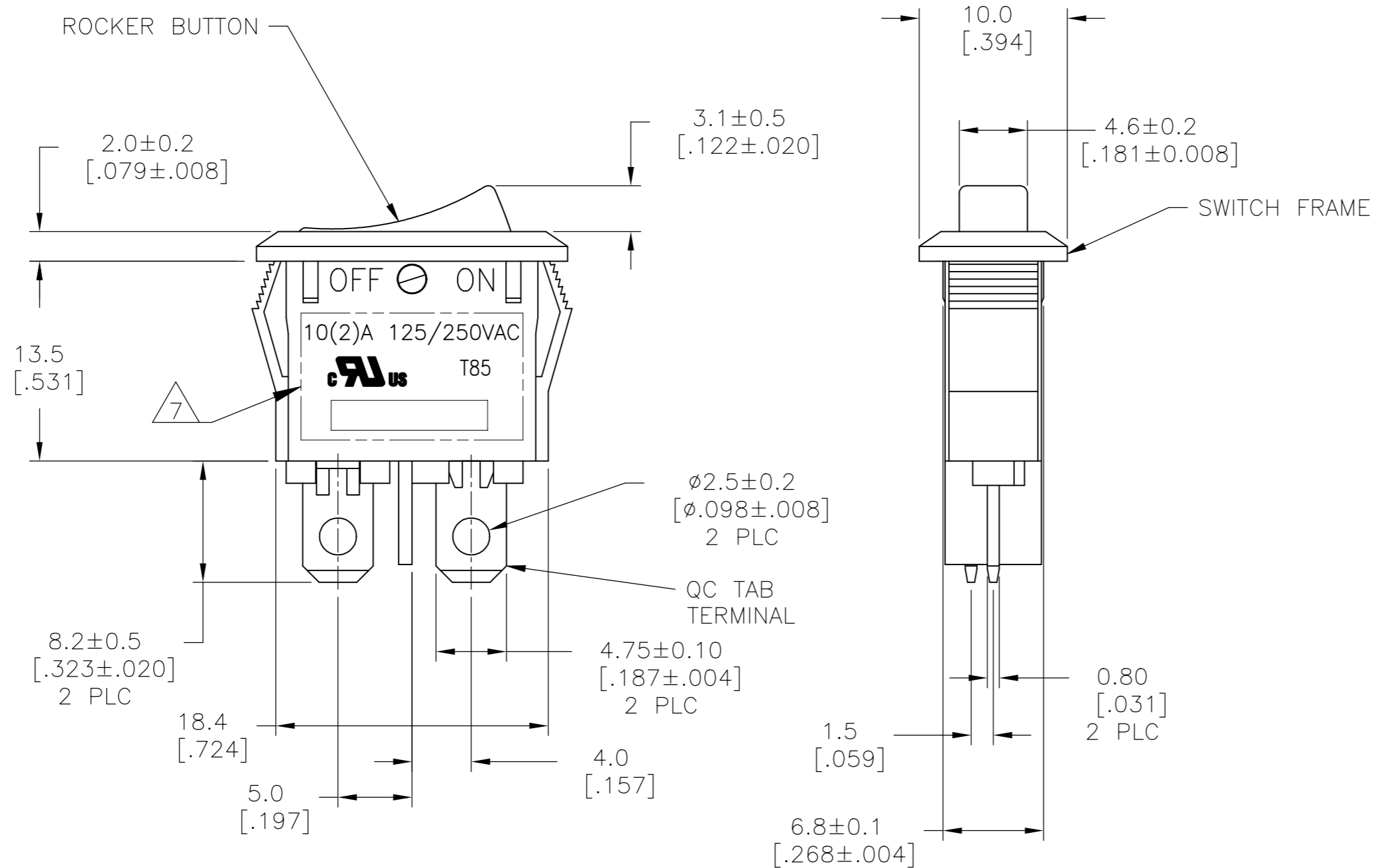
THIS DRAWING IS UNPUBLISHED. RELEASED FOR PUBLICATION
 © COPYRIGHT - By - ALL RIGHTS RESERVED.

| REVISIONS | | | | | |
|-----------|-----|---------------------------|-----------|-----|------|
| P | LTR | DESCRIPTION | DATE | DWN | APVD |
| | F | REVISED PER ECO-18-017612 | 14DEC2018 | DHC | PO |

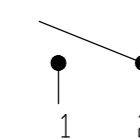
PANEL CUT OUT



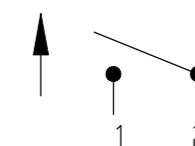
| | | |
|-----------------------|------------------------|-----------------------|
| 2.00-3.00 [.079-.118] | 19.8 -0.1 [.780 -.004] | 7.0 +0.1 [.276 +.004] |
| 1.25-2.00 [.049-.079] | 19.4 -0.1 [.764 -.004] | 7.0 +0.1 [.276 +.004] |
| 0.75-1.25 [.030-.049] | 19.2 -0.1 [.756 -.004] | 7.0 +0.1 [.276 +.004] |
| PANEL THICKNESS | X | Y |



SWITCH FUNCTION A1
 CIRCUIT DIAGRAM



SWITCH FUNCTION A3
 CIRCUIT DIAGRAM

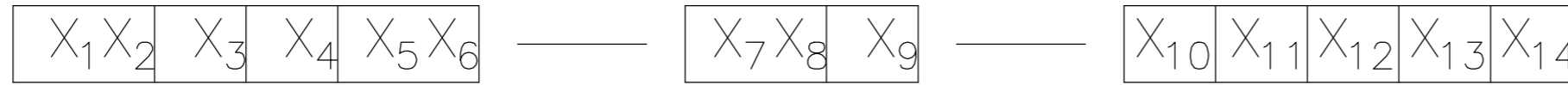


| | | | | |
|--|--|------------------------------|--|---------------|
| THIS DRAWING IS A CONTROLLED DOCUMENT. | | DWN M.BINNER 18JUN2003 | | |
| DIMENSIONS: MM | | CHK J.MOSIER | | |
| | | APVD - | POWER ROCKER SWITCH, 7.0mmX19.2mm | |
| TOLERANCES UNLESS OTHERWISE SPECIFIED: | | PRODUCT SPEC | PANEL SIZE, SPST, 2 TERMINALS, NON-ILLUMINATED | |
| 0 PLC ± - | | APPLICATION SPEC | - | |
| 1 PLC ± 0.30[.012] | | NOT APPLICABLE | SIZE | RESTRICTED TO |
| 2 PLC ± 0.05[.002] | | NOT APPLICABLE | A2 | - |
| 3 PLC ± - | | NOT APPLICABLE | CAGE CODE | DRAWING NO |
| 4 PLC ± - | | NOT APPLICABLE | 00779 | 1571500 |
| ANGLES ± - | | WEIGHT | SCALE 3:1 SHEET 1 OF 2 REV F | |
| FINISH | | CUSTOMER DRAWING | | |

THIS DRAWING IS UNPUBLISHED. RELEASED FOR PUBLICATION
 © COPYRIGHT - By - ALL RIGHTS RESERVED.

| REVISIONS | | | | |
|-----------|-----|-------------|------|------|
| P | LTR | DESCRIPTION | DATE | APVD |
| - | - | SEE SHEET 1 | - | - |

LEGACY PART NUMBER



SWITCH TYPE: X₁X₂ = PR - POWER ROCKER
 NOMINAL PANEL CUT OUT SIZE: X₃ = H - 7.0x19.2 [.276x.756]
 NUMBER OF POLES: X₄ = S - SINGLE
 SWITCH FUNCTION: X₅X₆ = A1 - ON-OFF, WITH OPAQUE, SINGLE-COLOR ROCKER BUTTON
A3 - (ON)-OFF, WITH OPAQUE, SINGLE-COLOR ROCKER BUTTON
 CURRENT RATING: X₇X₈ = 08 - △6
 TERMINAL TYPE: X₉ = E - QC TAB
 FRAME COLOR: X₁₀ = B - BLACK
W - WHITE
 ROCKER COLOR: X₁₁ = B - BLACK
G - GREEN
R - RED
W - WHITE

SECONDARY ROCKER COLOR: X₁₂ = ∅ - NOT APPLICABLE
B - BLACK
G - GREEN
R - RED
W - WHITE

LEGEND TEXT PATTERN: X₁₃ =

LEGEND TEXT COLOR: X₁₄ = ∅ - NOT APPLICABLE
R - RED
B - BLACK
W - WHITE

△1 MATERIALS:
 ROCKER BUTTON, HOUSING FRAME & RETURN SPRING SUPPORT(MOMENTARY ACTION TYPE) : NYLON 66, UL94 V-2.
 TERMINALS: COPPER ALLOY PER ASTM B152/B152M.
 ACTIVE CONTACTOR: COPPER ALLOY PER ASTM B194.
 CONTACT: SILVER-TIN OXIDE.
 SPRING: STEEL WIRE PER ASTM A228/A228M

△2 FINISH:
 TERMINALS, ACTIVE CONTACTOR: 1.0µm [.000039] MIN SILVER

3 ELECTRICAL SPECIFICATIONS:
 CURRENT AND VOLTAGE: △6
 CONTACT RESISTANCE (INITIAL): <50mΩ
 DIELECTRIC STRENGTH (INITIAL): >1000 VAC, 1 MINUTE
 INSULATION RESISTANCE (INITIAL): >100MΩ MIN (500VDC BETWEEN OPEN CONTACTS)
 INRUSH CURRENT: 50A / 3msec (CAPACITIVE LOAD)
 ELECTRICAL LIFE ENDURANCE: >6000 OPERATIONS,
 TEMPERATURE RISE AT TERMINALS: <30°C, 6000 OPERATIONS (AMBIENT CONDITIONS: 25±2°C AND 65±5%R.H)

4 MECHANICAL SPECIFICATIONS:
 ACTUATING FORCE: 100g MIN, 650g MAX
 OPERATING LIFE ENDURANCE: >100,000 OPERATIONS
 TERMINAL STRENGTH >10.0kg- QC TAB

5 ENVIRONMENTAL SPECIFICATIONS:
 AMBIENT TEMPERATURE: -25°C TO +85°C
 HUMIDITY: MAX 85%
 SALT SPRAY: NO REMAKABLE RUST IN METAL PARTS. (5%SALT / 35°C 24HRS)
 SHOCK: NO MECHANICAL DEFECT OR DAMAGE. (100g / 10MSEC/ X,Y,Z 3 TIMES)
 VIBRATION: NO MECHANICAL DEFECT OR DAMAGE. (10-55Hz /1.5mm/ X,Y,Z 2HRS)

△6 UL: 10(2)A 125/250VAC
 ENEC: T85

△7 ELECTRICAL RATINGS, AGENCY APPROVAL LOGOS, OFF/ON DESIGNATIONS AND THE TE LOGO PER TEC-202-36 LOCATED APPROXIMATELY AS SHOWN ON THE SIDE OF THE SWITCH HOUSING.

8 COMPONENT RECOGNIZED TO US AND CANADIAN STANDARDS, UL FILE NO. E46765.

9 COMPONENT RECOGNIZED TO EUROPEAN STANDARDS (ENEC & FI). CERTIFICATE No. ENEC2003036.

△10 OBSOLETE

| | | |
|----------|--------------------|----------------|
| OBSOLETE | PRHSA1-08F-BB0BW | 1571500-5 |
| | PRHSA1-08F-BB0HW | 1571500-4 |
| | PRHSA1-08F-BB0CW | 1571500-3 |
| | PRHSA3-08F-BB000 | 1571500-2 |
| | PRHSA1-08F-BB000 | 1571500-1 |
| | LEGACY PART NUMBER | TE PART NUMBER |

| | | | | | |
|--|--|--------------------|-----------|--|--|
| THIS DRAWING IS A CONTROLLED DOCUMENT. | | DWN M.BINNER | 18JUN2003 | TE Connectivity | |
| DIMENSIONS: MM | | CHK J.MOSIER | APVD | NAME | |
| TOLERANCES UNLESS OTHERWISE SPECIFIED: | | PRODUCT SPEC | | POWER ROCKER SWITCH, 7.0mmX19.2mm | |
| 0 PLC ± - | | NOT APPLICABLE | | PANEL SIZE, SPST, 2 TERMINALS, NON-ILLUMINATED | |
| 1 PLC ± 0.30[.012] | | APPLICATION SPEC | | SIZE | |
| 2 PLC ± 0.05[.002] | | NOT APPLICABLE | | CAGE CODE | |
| 3 PLC ± - | | NOT APPLICABLE | | DRAWING NO | |
| 4 PLC ± - | | NOT APPLICABLE | | RESTRICTED TO | |
| ANGLES ± - | | WEIGHT | | SCALE | |
| MATERIAL <u>△1</u> | | FINISH <u>△2</u> | | SHEET | |
| | | CUSTOMER DRAWING | | REV | |
| | | A2 00779 C=1571500 | | 3:1 2 of 2 F | |