

6

5

4

3

2

1

E

E

D

D

C

C

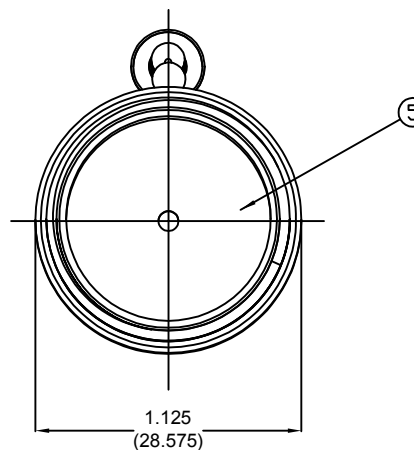
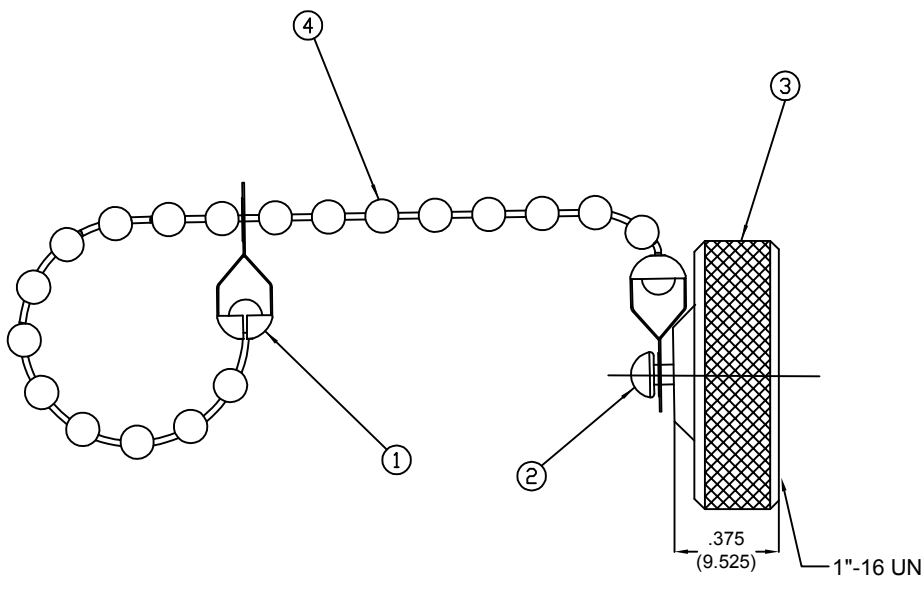
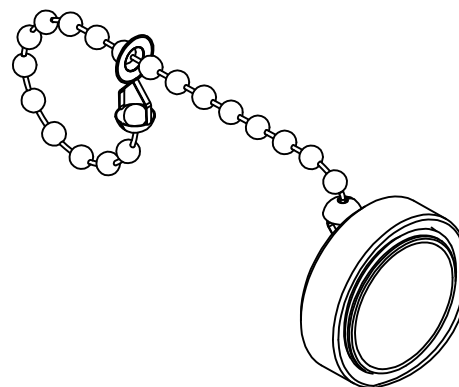
B

B

A

A

PART NUMBER	OLD PART NUMBER
1302011117	65-0103SS



-	COMPONENT	MATERIAL	FINISH
1	BEAD CHAIN FITTING (1/8IN.)	STEEL	NICKEL PLATED
2	.187 SCREW	STAINLESS STEEL	PASSIVATED
3	CLOSURE CAP	STAINLESS STEEL	PASSIVATED
4	BEAD CHAIN	STEEL	NICKEL PLATED
5	GASKET	NEOPRENE	BLACK

I	EC NO: WNA2010-0167	9/3/09
	DRWN: BWOODMAN	
B	CHKD: -	2009/09/11
	APPR: JFMURPHY	

QUALITY SYMBOLS
▽=0
▽C=0

GENERAL TOLERANCES (UNLESS SPECIFIED)		
	mm	INCH
4 PLACES	±---	±---
3 PLACES	±.005	±.005
2 PLACES	±.013	±.010
1 PLACE	±.025	±.020
ANGULAR ±1/2°		
DRAFT WHERE APPLICABLE MUST REMAIN WITHIN DIMENSIONS		

DIMENSION STYLE		SCALE	DESIGN UNITS
IN/MM		1:1	INCH
DRAWN BY	DATE	TITLE	
TVICKERS	2009/08/21	CLOSURE CAP ASSEMBLY	
CHECKED BY	DATE	----	
B.WOODMA	2009/08/21	MOLEX INCORPORATED	
APPROVED BY	DATE	DOCUMENT NO.	
JFMURPHY	2009/09/11	SD-130201-233	
MATERIAL NO.	SEE CHART	SHEET NO.	
		1 OF 1	

THIRD ANGLE PROJECTION	
MATERIAL NO.	
SD-130201-233	
SHEET NO.	
1 OF 1	

THIS DRAWING CONTAINS INFORMATION THAT IS PROPRIETARY TO MOLEX INCORPORATED AND SHOULD NOT BE USED WITHOUT WRITTEN PERMISSION

6

5

4

3

2

1