

6

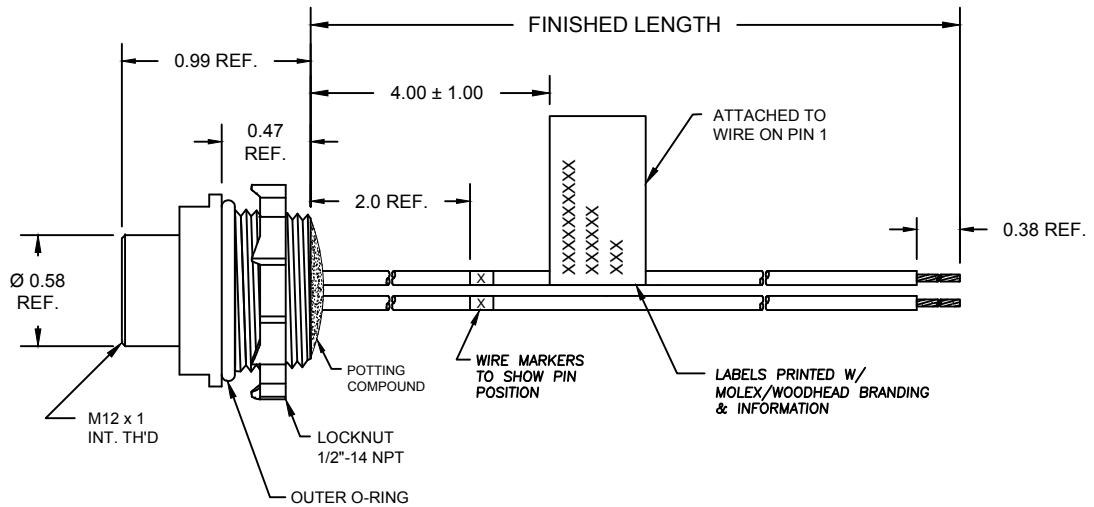
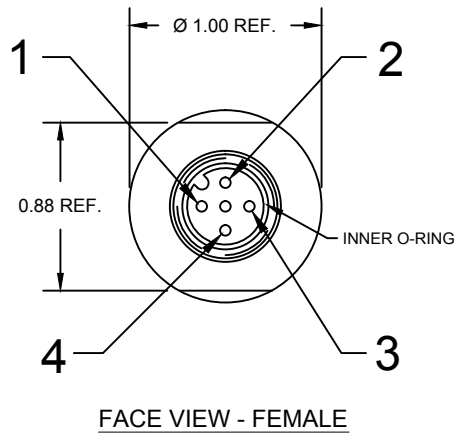
5

4

3

2

1



1	BLUE/YELLOW
2	BLUE/YELLOW
3	WHITE/BLUE
4	BLUE/YELLOW

(B)  
8R4000AB1MXXXN

FINISHED LENGTH  
M010 - 1 METER  
M100 - 10 METER

SPECIFICATIONS:

SHELL MATERIAL: NICKEL PLATED ZINC DIECAST  
CONTACT MATERIAL: GOLD/NICKEL OVER COPPER ALLOY  
INSERT MATERIAL: BLACK NYLON  
INNER O-RING: RED NITRILE  
LOCKNUT: ZINC-PLATED STEEL  
OUTER O-RING: BLACK NITRILE

WIRES: #18-1, PVC LEADS  
ASSEMBLY RATING: 250V, 4A

ENVIRONMENTAL: -20°C TO 105°C  
IP67 WHEN MATED

AGENCY: UL LISTED

ADD PIN MATRIX EC NO: IPC2017-0064 DRWN: MZIELINS 2016/07/19 CHKD: VOU 2016/07/19 APPR: BWOODMAN 2012/03/20	DESCRIPTION REV	QUALITY SYMBOLS =0 =0	GENERAL TOLERANCES (UNLESS SPECIFIED)		DIMENSION STYLE INCH ONLY		SCALE 1:1	DESIGN UNITS INCH	THIRD ANGLE PROJECTION	
				mm	INCH	DRAWN BY VOU	DATE 2011/01/27	TITLE M12 MICRO-CHANGE RECEPT 4P F/FR 1/2 NPT MOUNT #18-1 PVC WIRES		
			4 PLACES	±---	±---	CHECKED BY LHARTMAN	DATE 2012/02/17			
			3 PLACES	±---	±.005	APPROVED BY JFMURPHY	DATE 2012/03/20			
			2 PLACES	±---	±.010	MATERIAL NO.		DOCUMENT NO.		
			1 PLACE	±---	±.020	SEE CHART		SD-120070-026		
			ANGULAR ±1/2°			SIZE A		SHEET NO. 1 OF 1		
DRAFT WHERE APPLICABLE MUST REMAIN WITHIN DIMENSIONS			THIS DRAWING CONTAINS INFORMATION THAT IS PROPRIETARY TO MOLEX INCORPORATED AND SHOULD NOT BE USED WITHOUT WRITTEN PERMISSION							

6

5

4

3

2

1