

NOTES:

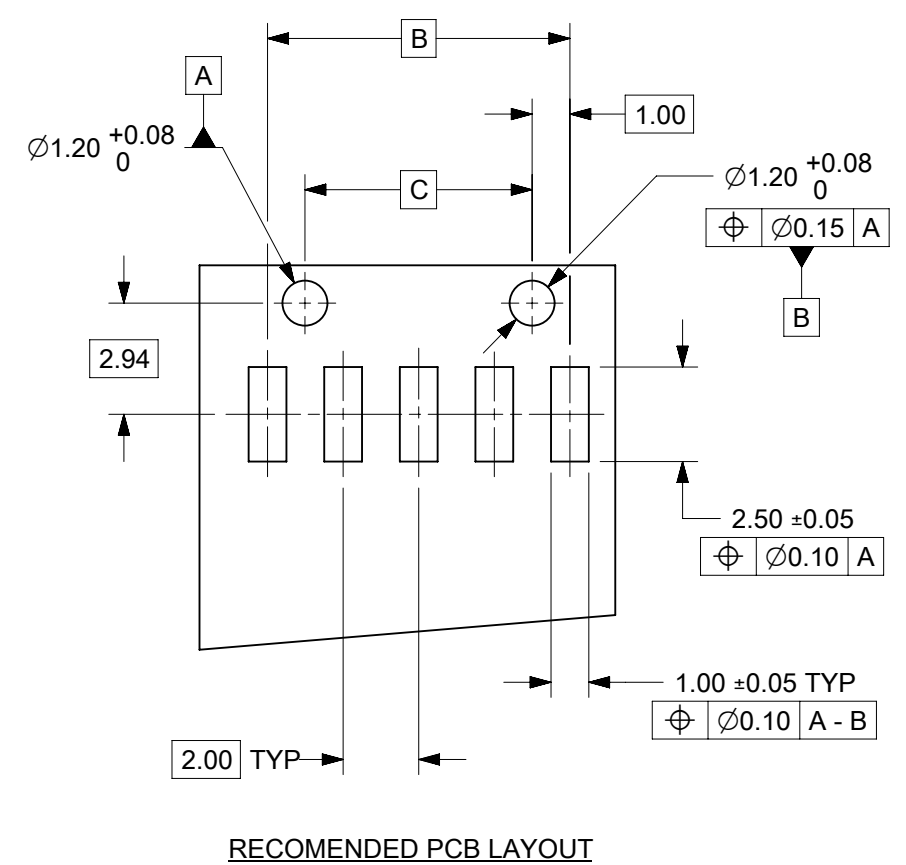
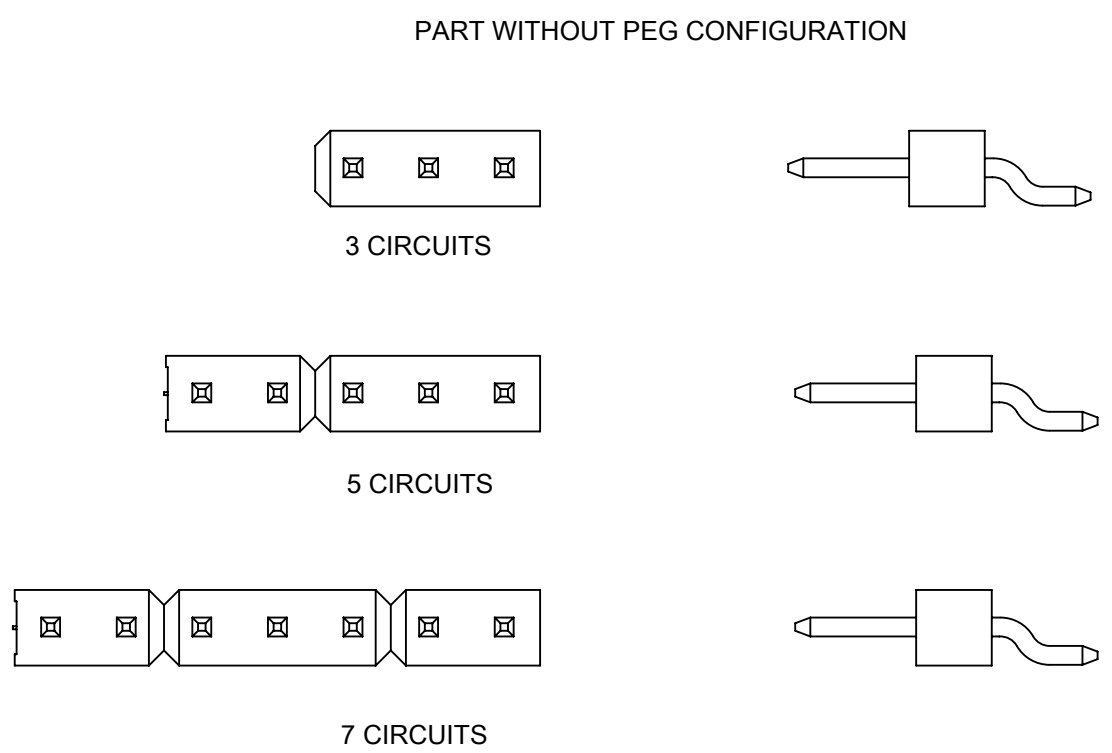
- MATERIAL:
HSG: LCP, GLASS-FILLED, UL94V-0, COLOR:BLACK
PIN: 0.50mm SQ, COPPER ALLOY
- PLATING:
(1) 2.54µm TIN OVERALL PLATING OVER NICKEL OVERALL
(2) 5.08µm TIN OVERALL PLATING OVER NICKEL OVERALL
- PACKAGING TYPE: SEE TABLE
- PACKAGING SPECIFICATION:
TRAY: PK-89990-487
TAPE & REEL: PK-89990-484
- PRODUCT SPEC PS-87761-100 APPLIES
- IRREGULAR CIRCUIT CUTOFF WITHIN BREAKAWAY SECTION IS PERMISSIBLE. MEASUREMENT AT BOTH ENDS, FROM CUT END TO THE CENTRELINE OF THE HOUSING CORE HOLE OF THE FIRST PIN REMAINS AT 0.95±0.20mm. CUTTING AND CHIPPING OF THE MAIN BODY IS NOT ACCEPTABLE.
- THE ABOVE CKT 5 IS FOR ILLUSTRATION PURPOSE ONLY
- COPLANARITY IS TO BE MEASURED BY RESTING THE SOLDER TAIL ON A GAUGE SURFACE
- KAPTON TAPE LOCATION IS CENTRED AT THE PART AS POSSIBLE.
- RECOMMENDED PCB BOARD THICKNESS: 1.60±0.10mm

THIS DRAWING CONTAINS INFORMATION THAT IS PROPRIETARY TO MOLEX ELECTRONIC TECHNOLOGIES, LLC AND SHOULD NOT BE USED WITHOUT WRITTEN PERMISSION		CURRENT REV DESC: BRIGHT TIN PHASE OUT		molex	
GENERAL TOLERANCES (UNLESS SPECIFIED)		EC NO: 679909			
MM INCH		DRWN: AKUMAR19 2021/07/27		PRODUCT CUSTOMER DRAWING	
4 PLACES ±		CHK'D: MRAMAKRISHNA 2021/10/11		DOCUMENT NUMBER	
3 PLACES ±		APPR: MRAMAKRISHNA 2021/10/11		SD-87858-022	
2 PLACES ± 0.2		INITIAL REVISION:		DOC TYPE DOC PART REVISION	
1 PLACE ±		DRWN: CWLAM 2007/12/04		PSD 001 D1	
0 PLACES ±		APPR: KWLEE 2007/12/17		SHEET NUMBER	
ANGULAR TOL ± 3.0°		DRAFT WHERE APPLICABLE MUST REMAIN WITHIN DIMENSIONS		1 OF 3	

CKT SIZE	DIMENSION		
	A	B	C
03	5.90	4.00	-
05	9.90	8.00	6.00
07	13.90	12.00	10.00
09	17.90	16.00	14.00
11	21.90	20.00	18.00
13	25.90	24.00	22.00
15	29.90	28.00	26.00
17	33.90	32.00	30.00
19	37.90	36.00	34.00

PART NO. IN TAPE & REEL PACKAGING	CKT # SIZE	PART NO. IN TRAY PACKAGING	KAPTON TAPE	PEG	PLATING OPTION	VOID POSITION	DIMENSION		
							F	MATING END	SOLDER TAIL
								M	(P)
87858-0550	5	-	Y	N	1	----	8.00	3.20	2.80
87858-0750	7	-	Y	N	1	----	8.00	3.20	2.80
87858-0751	7	-	N	Y	1	----	8.00	3.20	2.80
87858-0760	7	-	Y	N	1	----	8.97	4.17	2.80
87858-0761	7	-	Y	N	1	----	8.97	4.17	2.80

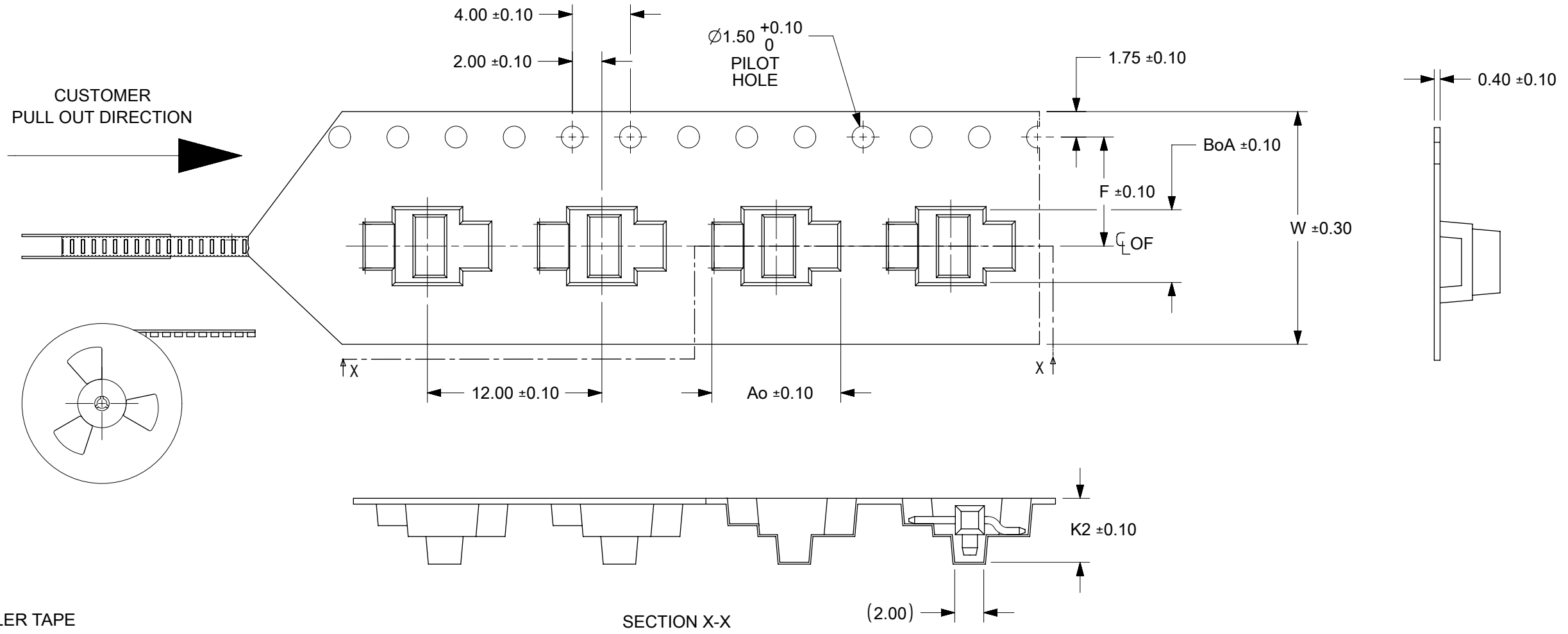
(D1)



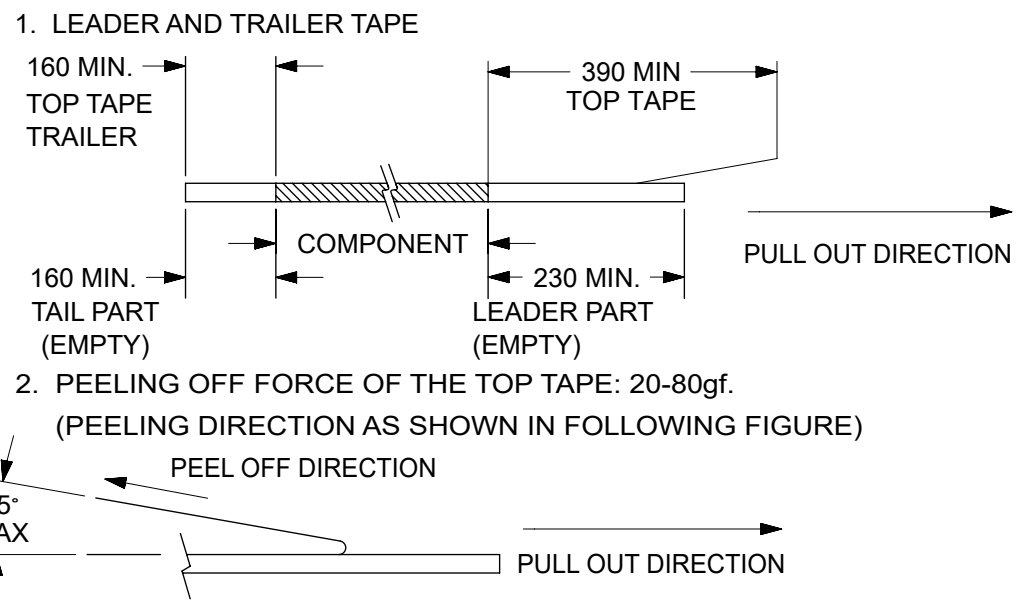
THIS DRAWING CONTAINS INFORMATION THAT IS PROPRIETARY TO MOLEX ELECTRONIC TECHNOLOGIES, LLC AND SHOULD NOT BE USED WITHOUT WRITTEN PERMISSION		CURRENT REV DESC: BRIGHT TIN PHASE OUT		molex																																										
<table border="1"> <tr><th>DIMENSION UNITS</th><th>SCALE</th></tr> <tr><td>MM</td><td>NTS</td></tr> </table>		DIMENSION UNITS	SCALE	MM	NTS	<table border="1"> <tr><th>GENERAL TOLERANCES (UNLESS SPECIFIED)</th><th>MM</th><th>INCH</th></tr> <tr><td>4 PLACES</td><td>±</td><td>±</td></tr> <tr><td>3 PLACES</td><td>±</td><td>±</td></tr> <tr><td>2 PLACES</td><td>± 0.2</td><td>±</td></tr> <tr><td>1 PLACE</td><td>±</td><td>±</td></tr> <tr><td>0 PLACES</td><td>±</td><td>±</td></tr> <tr><td>ANGULAR TOL</td><td>± 3.0°</td><td></td></tr> </table>		GENERAL TOLERANCES (UNLESS SPECIFIED)	MM	INCH	4 PLACES	±	±	3 PLACES	±	±	2 PLACES	± 0.2	±	1 PLACE	±	±	0 PLACES	±	±	ANGULAR TOL	± 3.0°		<table border="1"> <tr><td>EC NO: 679909</td><td></td></tr> <tr><td>DRWN: AKUMAR19</td><td>2021/07/27</td></tr> <tr><td>CHK'D: MRAMAKRISHNA</td><td>2021/10/11</td></tr> <tr><td>APPR: MRAMAKRISHNA</td><td>2021/10/11</td></tr> <tr><td colspan="2">INITIAL REVISION:</td></tr> <tr><td>DRWN: CWLAM</td><td>2007/12/04</td></tr> <tr><td>APPR: KWLEE</td><td>2007/12/17</td></tr> </table>		EC NO: 679909		DRWN: AKUMAR19	2021/07/27	CHK'D: MRAMAKRISHNA	2021/10/11	APPR: MRAMAKRISHNA	2021/10/11	INITIAL REVISION:		DRWN: CWLAM	2007/12/04	APPR: KWLEE	2007/12/17	2MM SINGLE ROW HDR (ODD) SMT WITH PEG, BREAKAWAY	
DIMENSION UNITS	SCALE																																													
MM	NTS																																													
GENERAL TOLERANCES (UNLESS SPECIFIED)	MM	INCH																																												
4 PLACES	±	±																																												
3 PLACES	±	±																																												
2 PLACES	± 0.2	±																																												
1 PLACE	±	±																																												
0 PLACES	±	±																																												
ANGULAR TOL	± 3.0°																																													
EC NO: 679909																																														
DRWN: AKUMAR19	2021/07/27																																													
CHK'D: MRAMAKRISHNA	2021/10/11																																													
APPR: MRAMAKRISHNA	2021/10/11																																													
INITIAL REVISION:																																														
DRWN: CWLAM	2007/12/04																																													
APPR: KWLEE	2007/12/17																																													
<table border="1"> <tr><th>DOCUMENT NUMBER</th><th>DOC TYPE</th><th>DOC PART</th><th>REVISION</th></tr> <tr><td>SD-87858-022</td><td>PSD</td><td>001</td><td>D1</td></tr> </table>		DOCUMENT NUMBER	DOC TYPE	DOC PART	REVISION	SD-87858-022	PSD	001	D1	<table border="1"> <tr><th>DRAFT WHERE APPLICABLE MUST REMAIN WITHIN DIMENSIONS</th><th>THIRD ANGLE PROJECTION</th><th>DRAWING</th><th>SERIES</th><th>MATERIAL NUMBER</th><th>CUSTOMER</th><th>SHEET NUMBER</th></tr> <tr><td></td><td></td><td>A3-SIZE</td><td>87858</td><td>SEE TABLE</td><td>GENERAL MARKET</td><td>2 OF 3</td></tr> </table>		DRAFT WHERE APPLICABLE MUST REMAIN WITHIN DIMENSIONS	THIRD ANGLE PROJECTION	DRAWING	SERIES	MATERIAL NUMBER	CUSTOMER	SHEET NUMBER			A3-SIZE	87858	SEE TABLE	GENERAL MARKET	2 OF 3																					
DOCUMENT NUMBER	DOC TYPE	DOC PART	REVISION																																											
SD-87858-022	PSD	001	D1																																											
DRAFT WHERE APPLICABLE MUST REMAIN WITHIN DIMENSIONS	THIRD ANGLE PROJECTION	DRAWING	SERIES	MATERIAL NUMBER	CUSTOMER	SHEET NUMBER																																								
		A3-SIZE	87858	SEE TABLE	GENERAL MARKET	2 OF 3																																								

CKT	DIMENSION					PACKABLE QTY
	BoA	Ao	K2	F	W	
5	11.20	8.50	4.40	11.50	24.00	1200
7	15.20	8.50	4.40	11.50	24.00	1200

TAPE AND REEL INFORMATION



NOTES:



- 3. MATERIAL: BLACK P.S CONDUCTIVE
- 4. PACKAGING STANDARD IS AS PER EIA-481.
- 5. THE TAPE IS TREATED FOR ANTI-STATIC.

SECTION X-X

PART IN TAPE & REEL ORIENTATION (FOR REF. ONLY)

THIS DRAWING CONTAINS INFORMATION THAT IS PROPRIETARY TO MOLEX ELECTRONIC TECHNOLOGIES, LLC AND SHOULD NOT BE USED WITHOUT WRITTEN PERMISSION

DIMENSION UNITS		SCALE		CURRENT REV DESC: BRIGHT TIN PHASE OUT		molex	
MM	NTS						
GENERAL TOLERANCES (UNLESS SPECIFIED)				EC NO: 679909		2MM SINGLE ROW HDR (ODD) SMT WITH PEG, BREAKAWAY	
				DRWN: AKUMAR19		2021/07/27	
				CHK'D: MRAMAKRISHNA		2021/10/11	
				APPR: MRAMAKRISHNA		2021/10/11	
				INITIAL REVISION:		PRODUCT CUSTOMER DRAWING	
				DRWN: CWLAM		DOCUMENT NUMBER	
				APPR: KWLEE		SD-87858-022	
				2007/12/04		DOC TYPE	
				2007/12/17		PSD	
				SERIES		DOC PART	
				87858		001	
				MATERIAL NUMBER		REVISION	
				SEE TABLE		D1	
DRAFT WHERE APPLICABLE MUST REMAIN WITHIN DIMENSIONS		THIRD ANGLE PROJECTION		DRAWING		CUSTOMER	
		A3-SIZE		GENERAL MARKET		SHEET NUMBER	
						3 OF 3	

DOCUMENT STATUS	P1	RELEASE DATE	2021/10/11	11:54:03
-----------------	----	--------------	------------	----------