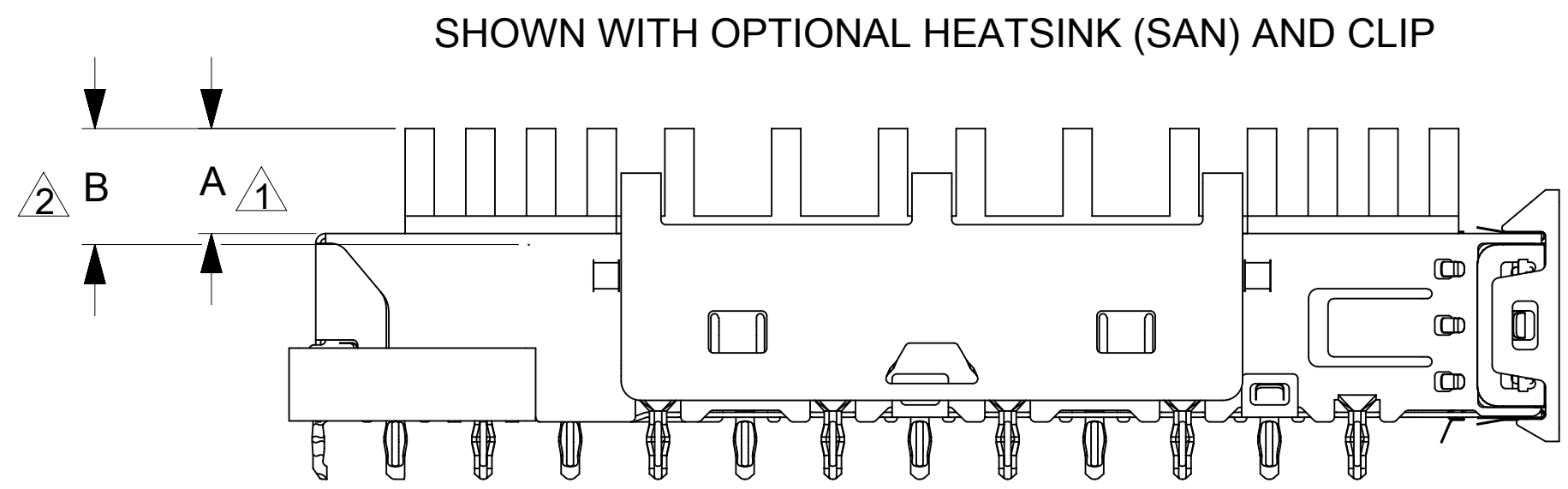
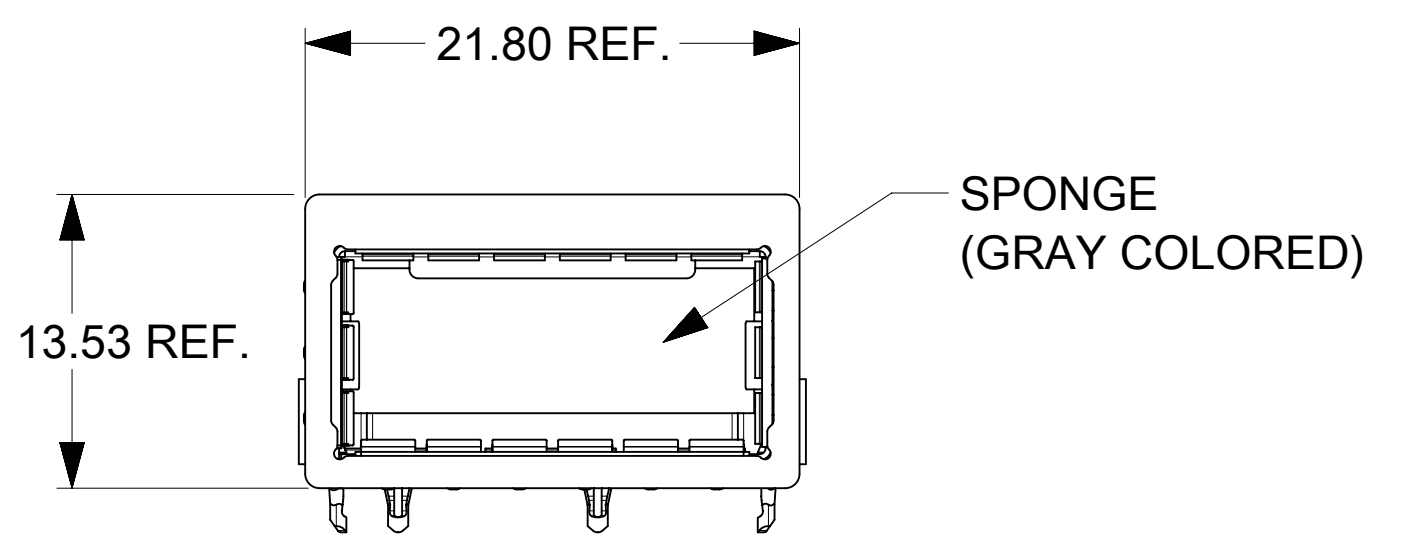


COMPLIANT EMI GASKET
(DARK COLORED - GRAY)

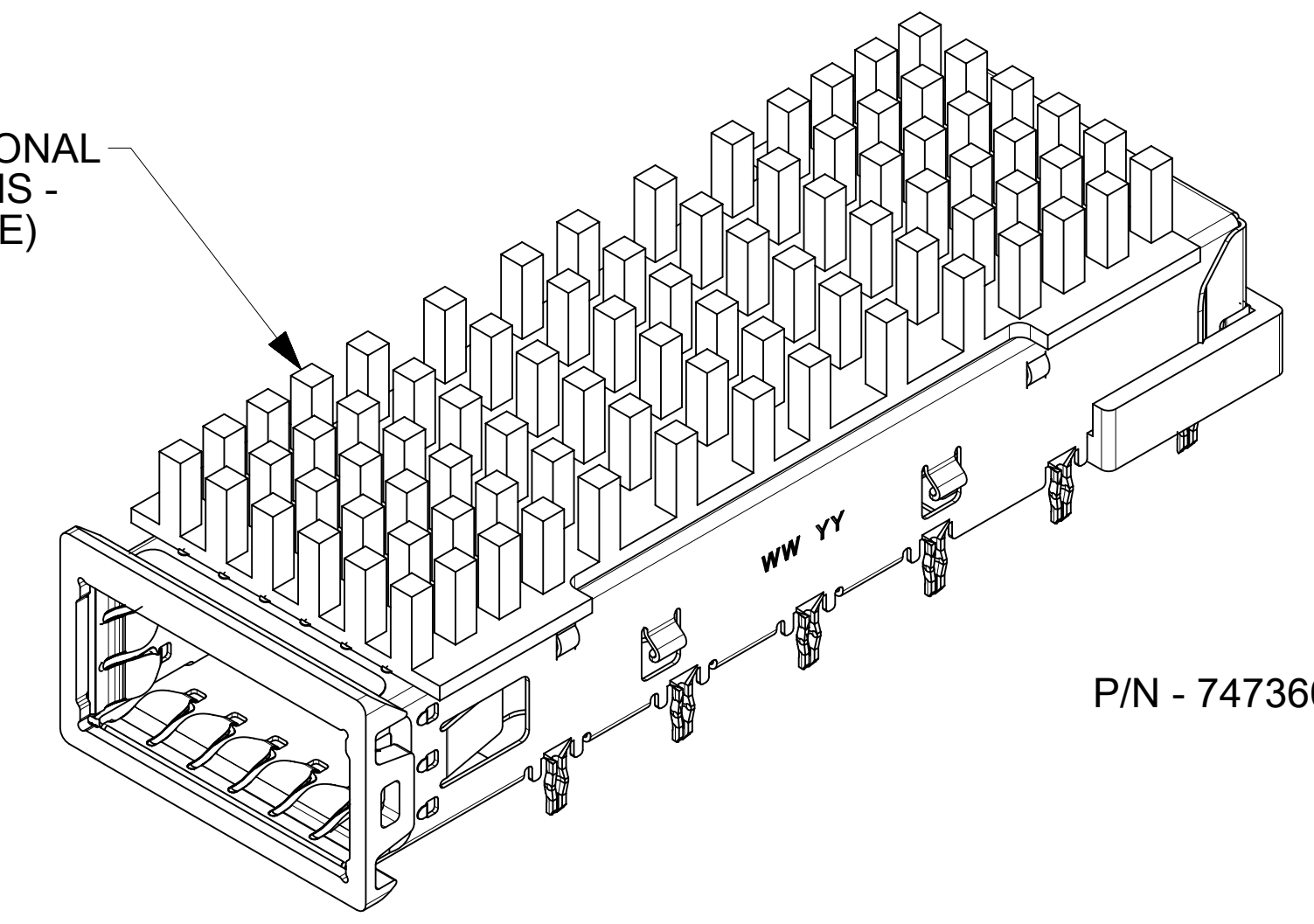


- 1. MAXIMUM HEIGHT OF HEATSINK WITH MODULE INSERTED
- 2. OVERALL HEIGHT OF HEATSINK
- 3. OTHER HEATSINK DESIGNS ARE AVAILABLE INCLUDING CUSTOM DESIGNS

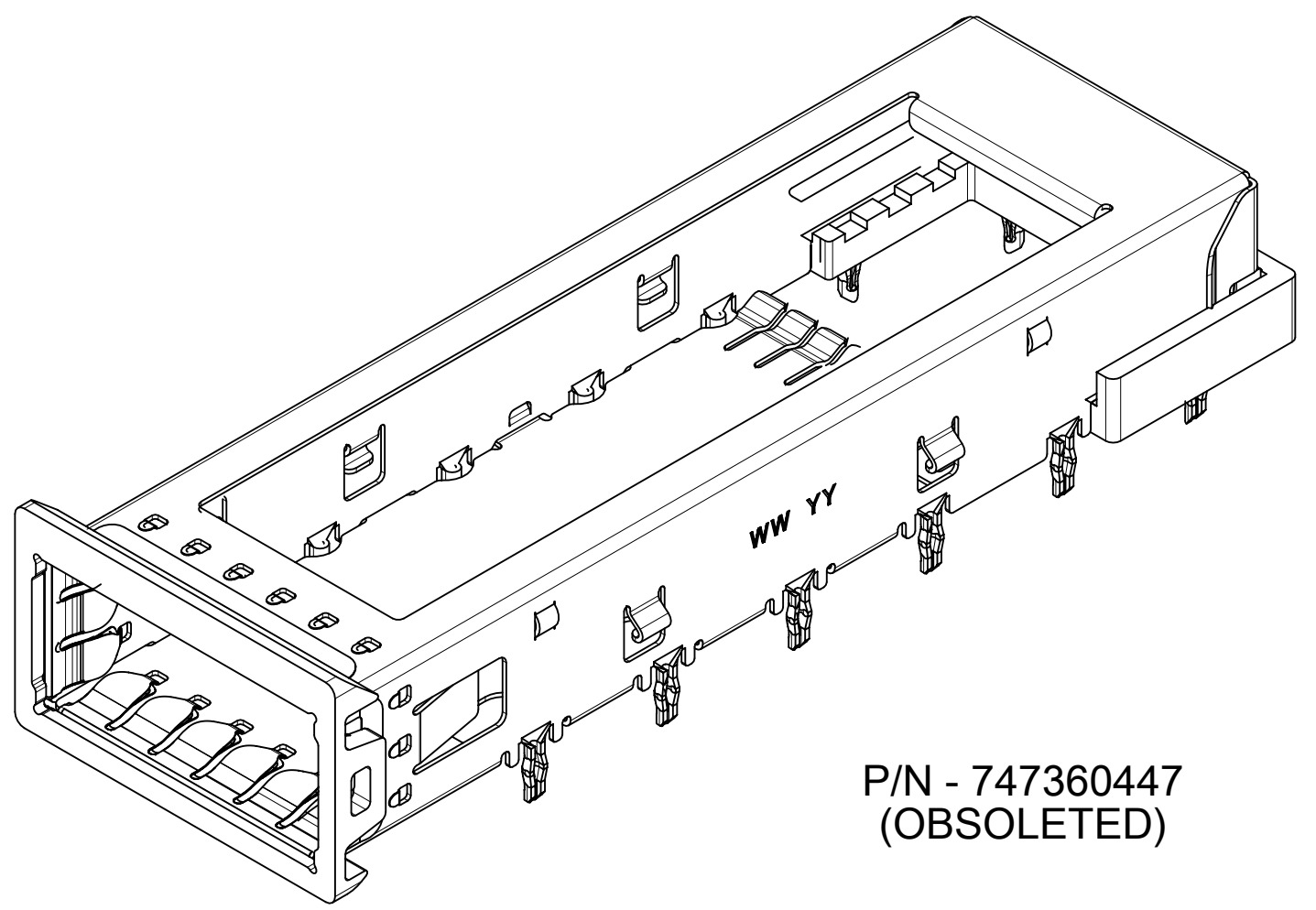
HEATSINK SINK AND CLIP ARE OPTIONAL
(SEE CHART FOR HEATSINK OPTIONS -
CUSTOM HEATSINKS ARE AVAILABLE)



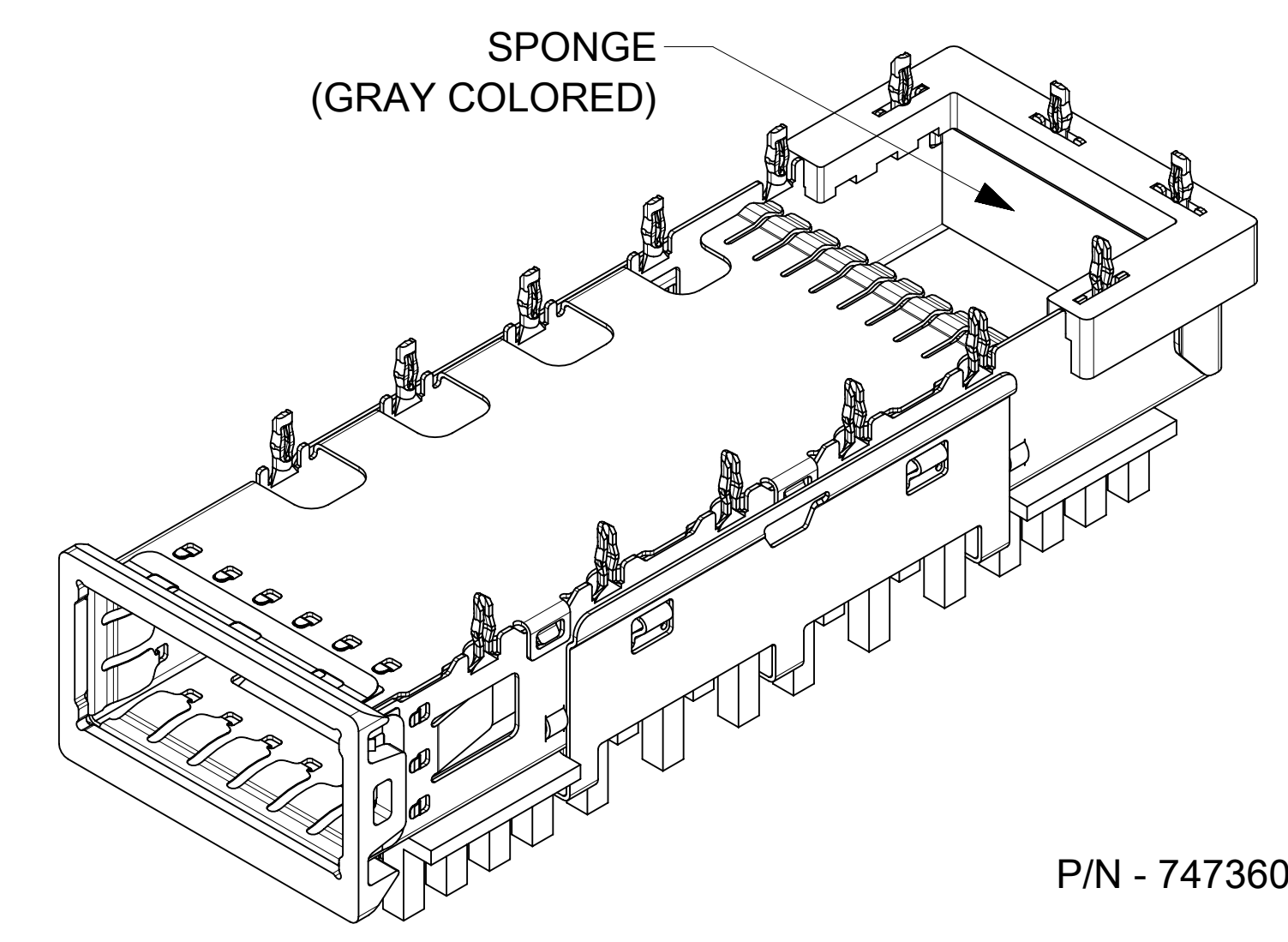
SPONGE
(GRAY COLORED)



P/N - 747360449



P/N - 747360447
(OBSOLETE)

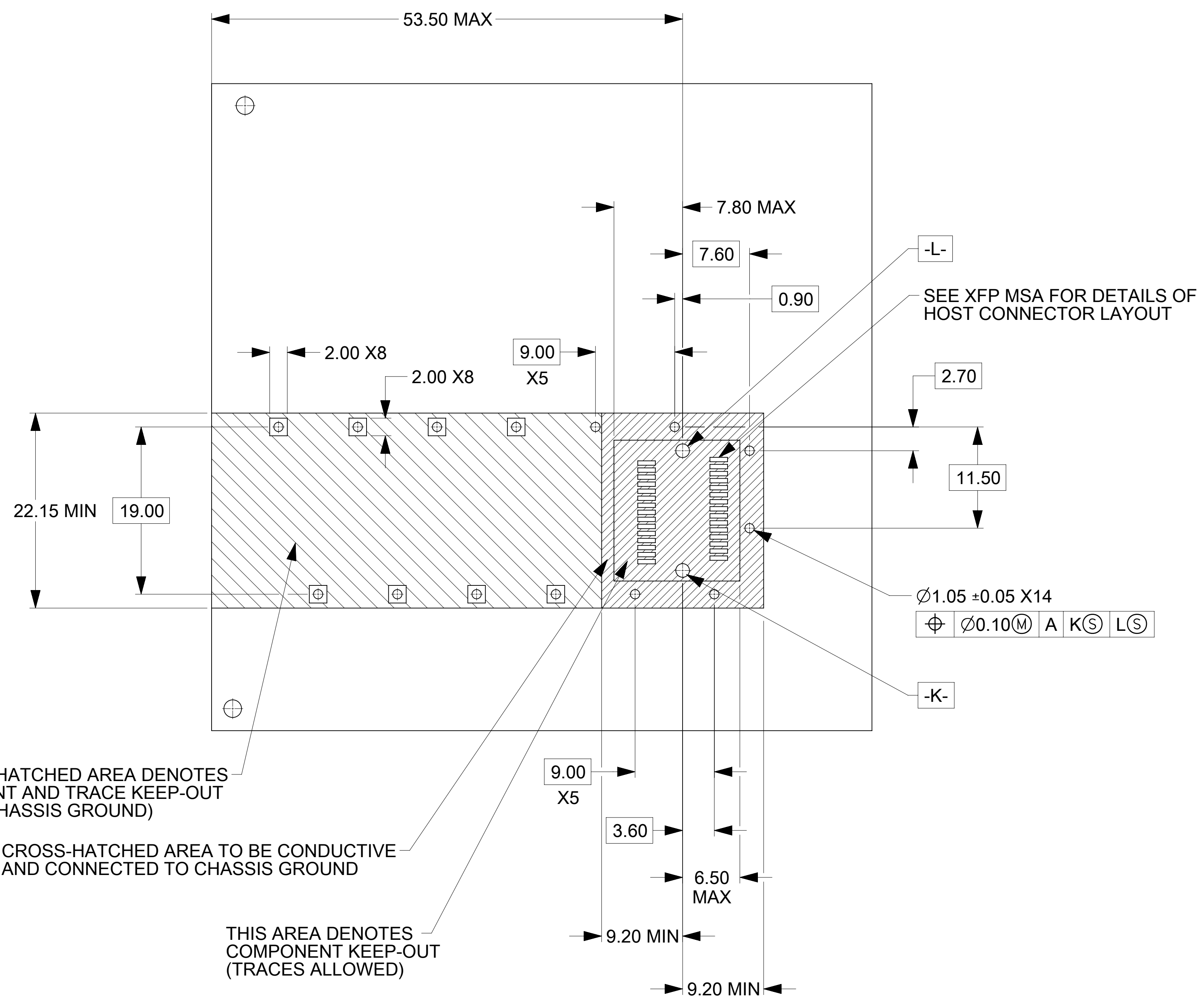


P/N - 747360449

PART NUMBERS FOR XFP CAGE ASSEMBLY & PARTS

P/N	DIM A	DIM B	DESCRIPTION	POWER LEVEL	THERMAL RESISTANCE @200 LFM
747360449	6.3	6.5	XFP CAGE WITH SAN HEATSINK (SHOWN)	UP TO 2.5W	<11.5 C/W
747360450	13.3	13.5	XFP CAGE WITH TALL HEATSINK	UP TO 3.5W	<8.0 C/W
747360230	N/A	N/A	HEATSINK CLIP ONLY	N/A	N/A
747360240	N/A	N/A	PCI HEATSINK ONLY	UP TO 1.5W	<18.0 C/W
747360241	N/A	N/A	SAN HEATSINK ONLY	UP TO 2.5W	<11.5 C/W
747360242	N/A	N/A	TALL HEATSINK ONLY	UP TO 3.5W	<8.0 C/W

FUNCTIONAL SYMBOLS FA = 0 FE = 0 FP = 0	THIS DRAWING CONTAINS INFORMATION THAT IS PROPRIETARY TO MOLEX ELECTRONIC TECHNOLOGIES, LLC AND SHOULD NOT BE USED WITHOUT WRITTEN PERMISSION	CURRENT REV DESC:		molex
	DIMENSION UNITS: mm	SCALE: 3:1	EC NO: 728791	
DIVISIONAL SYMBOLS	GENERAL TOLERANCES (UNLESS SPECIFIED)		DRWN: DKUMARG 2022/11/16	XFP CAGE ASSEMBLY W/ 3D LEG
	4 PLACES ±	MM INCH	CHK'D: SMALLESHAPPA 2022/11/16	
	3 PLACES ±		APPR: SCHIEN 2022/11/17	PRODUCT CUSTOMER DRAWING
	2 PLACES ± 0.1		INITIAL REVISION:	DOCUMENT NUMBER
	1 PLACE ± 0.25		DRWN: CHIRSCHY 2008/09/25	SD-74736-0448
	0 PLACES ±		APPR: RMAHMOOD 2008/09/26	DOC TYPE
	ANGULAR TOL ± 1.0°			PSD
	DRAFT WHERE APPLICABLE MUST REMAIN WITHIN DIMENSIONS	THIRD ANGLE PROJECTION	DRAWING: D-SIZE	DOC PART
			SERIES: 74736	001
			MATERIAL NUMBER	REVISION
			CUSTOMER	F3
			SHEET NUMBER	
			SEE P/N TABLE	1 OF 3
			GENERAL MARKET	

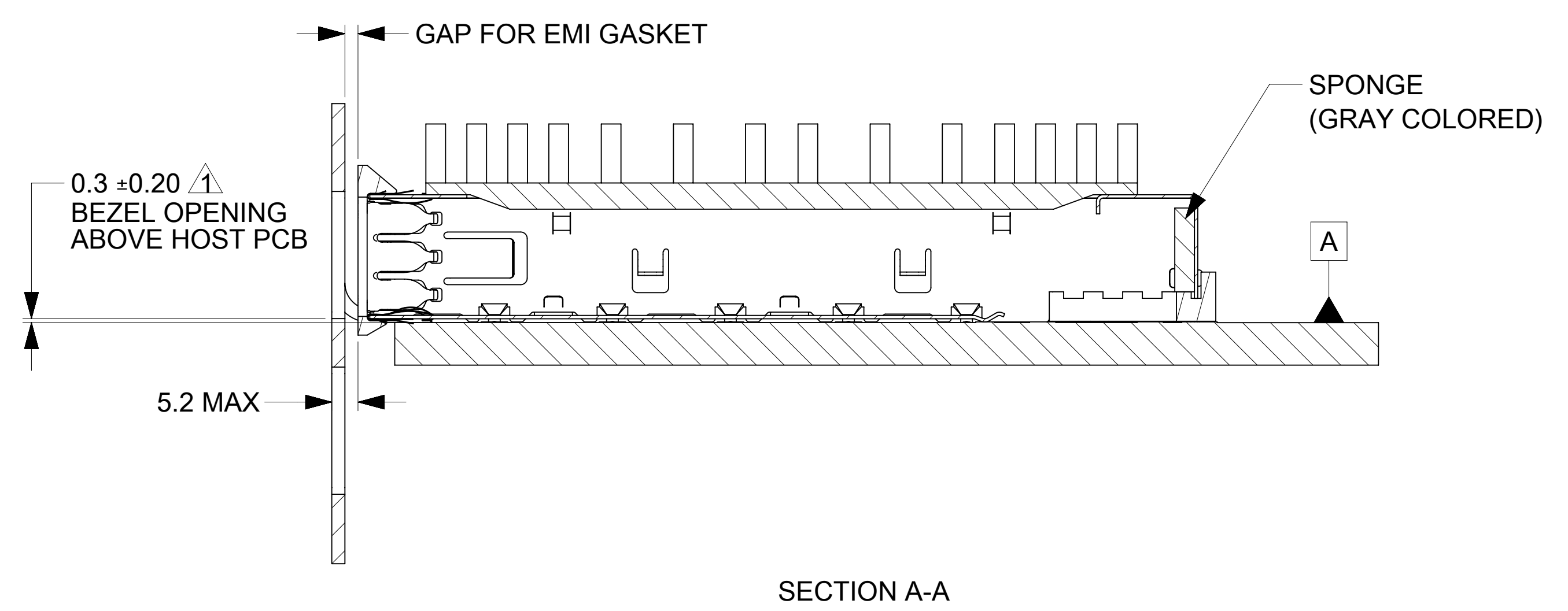
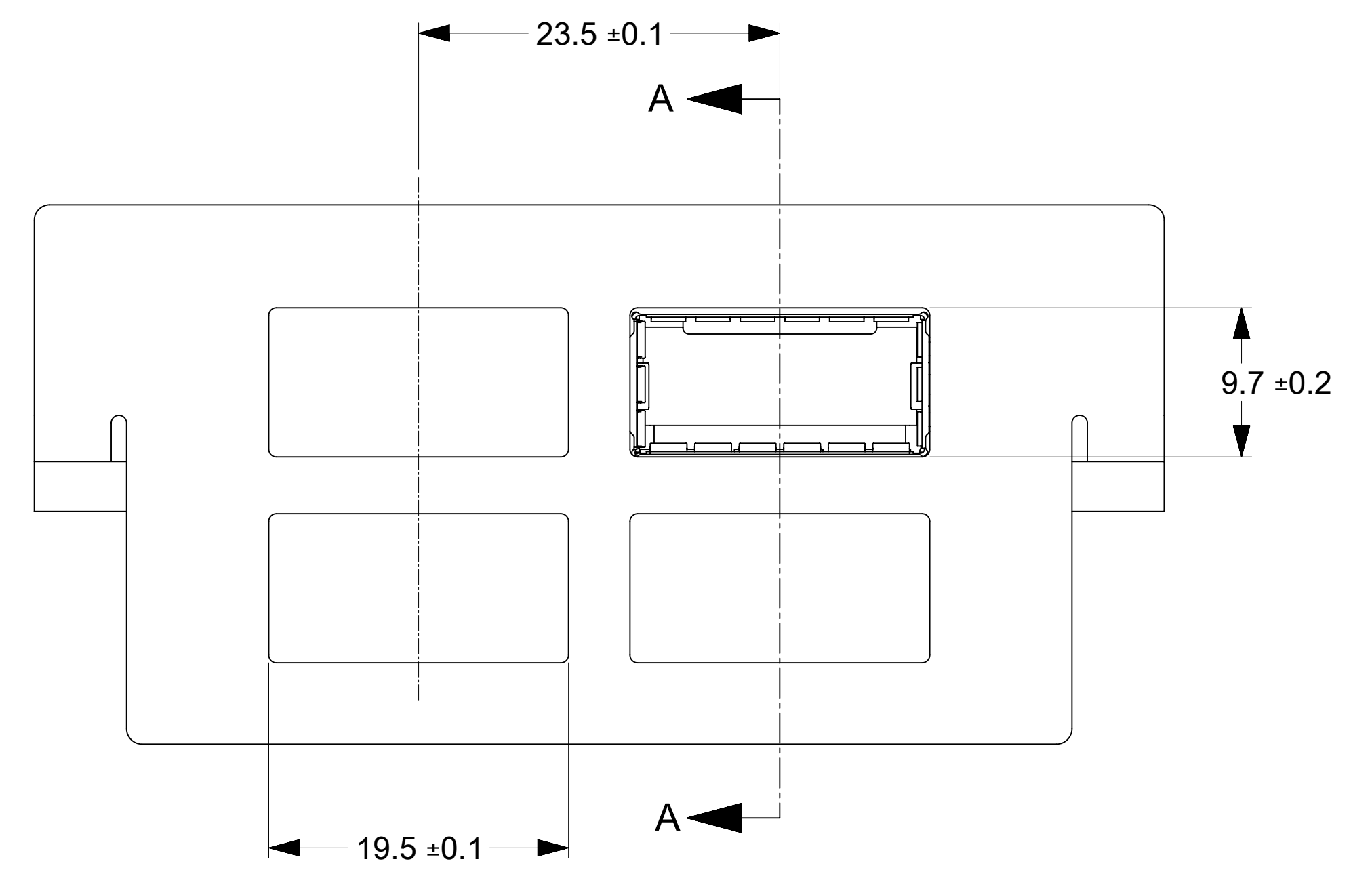


CROSSED-HATCHED AREA DENOTES COMPONENT AND TRACE KEEP-OUT (EXCEPT CHASSIS GROUND)

CROSS-HATCHED AREA TO BE CONDUCTIVE AND CONNECTED TO CHASSIS GROUND

THIS AREA DENOTES COMPONENT KEEP-OUT (TRACES ALLOWED)

Δ FOR PCI APPLICATIONS RECOMMENDED DIMENSION IS 0.4 ± 0.1

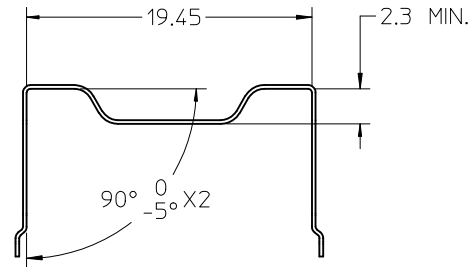
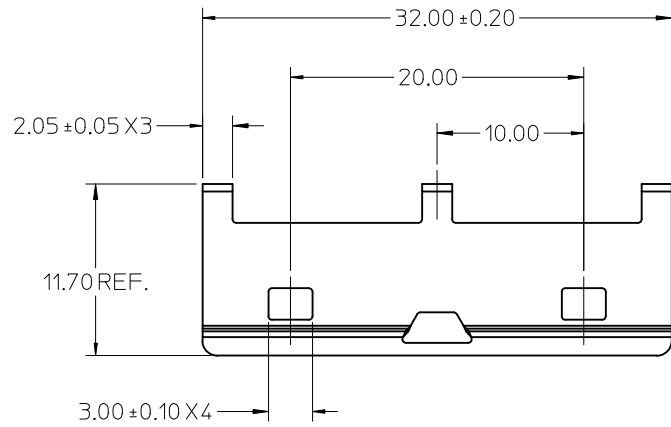
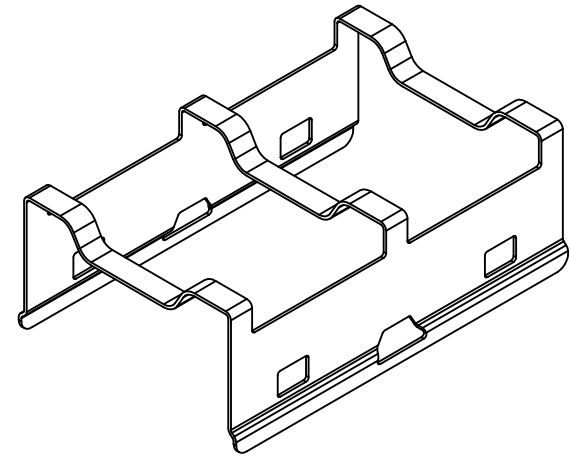
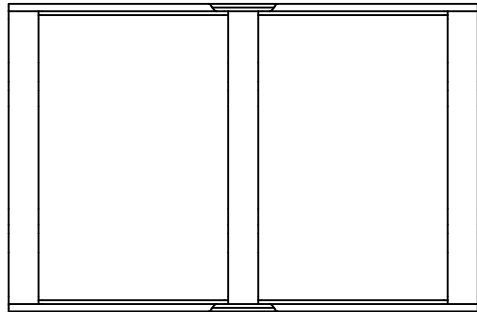


FUNCTIONAL SYMBOLS	THIS DRAWING CONTAINS INFORMATION THAT IS PROPRIETARY TO MOLEX ELECTRONIC TECHNOLOGIES, LLC AND SHOULD NOT BE USED WITHOUT WRITTEN PERMISSION												
	DIMENSION UNITS		SCALE		CURRENT REV DESC:								
	mm		3:1		EC NO: 728791 DRWN: DKUMARG 2022/11/16 CHK'D: SMALLESHAPPA 2022/11/16 APPR: SCHIEN 2022/11/17								
	GENERAL TOLERANCES (UNLESS SPECIFIED)												
DIVISIONAL SYMBOLS				INITIAL REVISION:		DOCUMENT NUMBER		DOC TYPE		DOC PART		REVISION	
4 PLACES \pm				DRWN: CHIRSCHY 2008/09/25		SD-74736-0448		PSD		001		F3	
3 PLACES \pm				APPR: RMAHMOOD 2008/09/26		SEE P/N TABLE		GENERAL MARKET				2 OF 3	
2 PLACES ± 0.1				ANGULAR TOL $\pm 1.0^\circ$		DRAFT WHERE APPLICABLE MUST REMAIN WITHIN DIMENSIONS		THIRD ANGLE PROJECTION		DRAWING		SHEET NUMBER	
1 PLACE ± 0.25				DRAFT WHERE APPLICABLE MUST REMAIN WITHIN DIMENSIONS		D-SIZE		SERIES		MATERIAL NUMBER		CUSTOMER	
0 PLACES \pm						74736		74736		GENERAL MARKET			

DOCUMENT STATUS	P1	RELEASE DATE	2022/11/17	01:55:17
-----------------	----	--------------	------------	----------

DATE	REV	DESCRIPTION
2008/09/19	A	INITIAL RELEASE
2008/12/15	B	1. ADDED TEXT (DARK COLORED) TO COMPLIANT EMI GASKET NOTE
2010/03/01	C	1. ADDED NOTE TO PAGE 2 - THIS AREA DENOTES COMPONENT KEEP-OUT (TRACES ALLOWED) TO VIEW. 2. REMOVED NOTE 2 FROM PAGE 2.
2010/11/02	D	1. 13.53 REF. DIMENSION WAS 12.95 REF. 2. ADD 1 PLACE TOLERANCE OF ±0.25 TO TITLE BLOCK
2013/04/23	E	1. ADDED 747360453.
2019/02/04	F	1. OBSOLETE PART NUMBER 747360448.
2019/12/11	F1	1. OBSOLETE P/N 0747360447 AND 747360453
2021/01/07	F2	SHEET 1: E17: REMOVED THE VIEW OF 747360453. J09 & H05: ADDED A NOTE FOR SPONGE(GRAY COLORED). SHEET 2: G03: ADDED A NOTE FOR SPONGE(GRAY COLORED).
2022/11/16	F3	SHEET 01 : K12 : CORRECTED TYPO OF DIMENSION FROM 12.95 REF TO 13.53 REF FOR THE FG P/N 747360449 AND 747360450.

FUNCTIONAL SYMBOLS FA = 0 FC = 0 FP = 0	THIS DRAWING CONTAINS INFORMATION THAT IS PROPRIETARY TO MOLEX ELECTRONIC TECHNOLOGIES, LLC AND SHOULD NOT BE USED WITHOUT WRITTEN PERMISSION		CURRENT REV DESC:		molex
	DIMENSION UNITS mm	SCALE 1:1			
DIVISIONAL SYMBOLS	GENERAL TOLERANCES (UNLESS SPECIFIED)		EC NO: 728791		XFP CAGE ASSEMBLY W/ 3D LEG
			DRWN: DKUMARG 2022/11/16		
	4 PLACES ±	±	CHK'D: SMALLESHAPPA 2022/11/16		PRODUCT CUSTOMER DRAWING
	3 PLACES ±	±	APPR: SCHIEN 2022/11/17		
	2 PLACES ±	0.1	INITIAL REVISION:		DOCUMENT NUMBER SD-74736-0448
	1 PLACE ±	0.25	DRWN: CHIRSCHY 2008/09/25		
	0 PLACES ±	±	APPR: RMAHMOOD 2008/09/26		DOC TYPE PSD
	ANGULAR TOL ±	1.0 °	DRAFT WHERE APPLICABLE MUST REMAIN WITHIN DIMENSIONS		DOC PART 001
			THIRD ANGLE PROJECTION		REVISION F3
			DRAWING D-SIZE		SHEET NUMBER 3 OF 3
			SERIES 74736		
			MATERIAL NUMBER SEE P/N TABLE		CUSTOMER GENERAL MARKET



MATERIAL: 301 STAINLESS STEEL
 TEMPER: FULL HARD
 ALL FEATURES ARE SYMMETRIC TO CENTERLINES.

EC NO: USY2011-0296 DRWN: CHIRSHY 2010/10/13 CHKD: MAJOHNST 2010/10/13 APPR: RMAHMOOD 2010/11/09	QUALITY SYMBOLS	GENERAL TOLERANCES (UNLESS SPECIFIED)		SCALE 3:1	DESIGN UNITS METRIC	THIRD ANGLE PROJECTION	REVISE ON CAD ONLY	
	-0 0		mm	INCH	DIMENSION STYLE MM ONLY		TITLE	
		4 PLACES	± ---	± ---	DRAWN BY	DATE	XFP CAGE, HEAT SINK CLIP	
		3 PLACES	± ---	± ---	KLLOYD	2004/06/14		
2 PLACES	± 0.13	± ---	CHECKED BY	DATE	MOLEX INCORPORATED			
1 PLACE	± 0.25	± ---	BRUSSELL	2004/08/05				
		ANGULAR ± 2 °		APPROVED BY	DATE	MATERIAL NO.	DOCUMENT NO.	SHEET NO.
		DRAFT WHERE APPLICABLE MUST REMAIN WITHIN DIMENSIONS		RMAHMOOD	2010/11/09	747360230	SD-74736-230	1 OF 1
				THIS DRAWING CONTAINS INFORMATION THAT IS PROPRIETARY TO MOLEX INCORPORATED AND SHOULD NOT BE USED WITHOUT WRITTEN PERMISSION				