

NOTES:

1. ELECTRICAL:
 - A. IMPEDANCE: 50Ω (NOMINAL)
 - B. FREQUENCY RANGE: DC-6.0 GHz
 - C. CONTACT RESISTANCE: CENTER CONTACT: 20mΩ MAX
OUTER CONTACT: 20mΩ MAX.
 - D. INSULATION RESISTANCE: 500MΩ MIN.: MEASURED AT 100 VDC FOR 1 MINUTE
 - E. D.W.V: 200 VRMS(AC) FOR 1 MINUTE.
 - F. VSWR: 1.3 MAX. (DC TO 3.0 GHz), 1.45 MAX. (3.0-6.0 GHz)
2. PHYSICAL:
 - A. DURABILITY: 30 CYCLES
 - B. TEMPERATURE RANGE: -40°C TO +85°C.
 - C. AMC4 CONNECTOR DEMATING FORCE: 5N MIN. (INITIAL), 3N MIN. (AFTER 30 CYCLES)
 - D. AMC4 INTERFACE IS FULLY COMPATIBLE WITH "818000501" SERIES PRODUCT.
3. MATERIALS AND FINISHES (MICRO-METERS):
 - CONNECTOR BODY: PHOSPHOR BRONZE, SILVER PLATED (0.76um MIN.) OVER COPPER (1-2)um
 - CONNECTOR CENTER CONTACT: PHOSPHOR BRONZE, GOLD PLATED (0.07um MIN.) OVER NICKEL (1.3-2.5)um
 - CONNECTOR INSULATOR: HIGH TEMP PLASTIC UL 94V-0, BLACK
 - CABLE JACKET: EXTRUDED FEP
 - CABLE DIELECTRIC: FEP
 - CABLE CENTER CONDUCTOR: ANNEALED COPPER WIRE STRANDED, SILVER PLATED
 - CABLE OUTER CONDUCTOR: ANNEALED COPPER WIRE BRAID, TIN PLATED

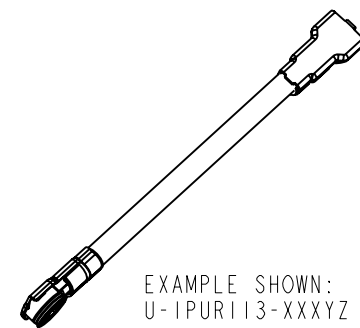
4 USS IS ECT MANUFACTURER'S NAME FOR AMC4

5. AMC4 IS FULLY COMPATIBLE WITH IPEX MH4 AND MURATA HSC

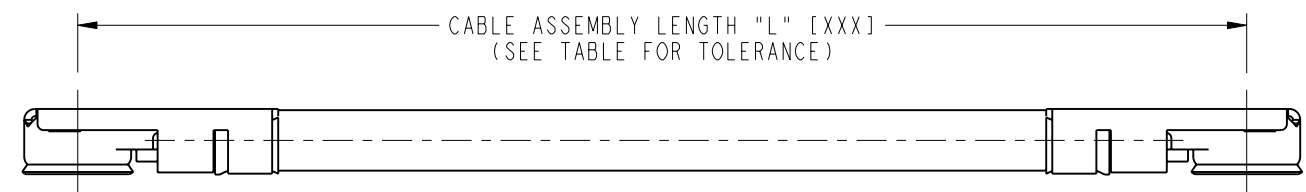
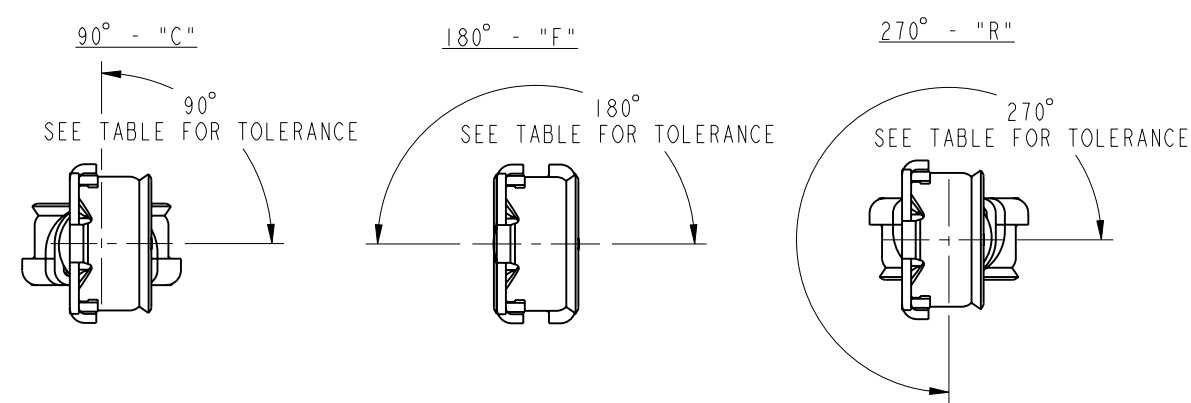
THIRD ANGLE PROJ.

REVISIONS

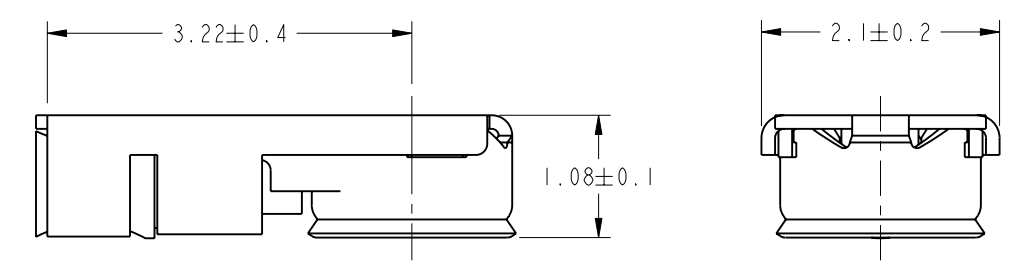
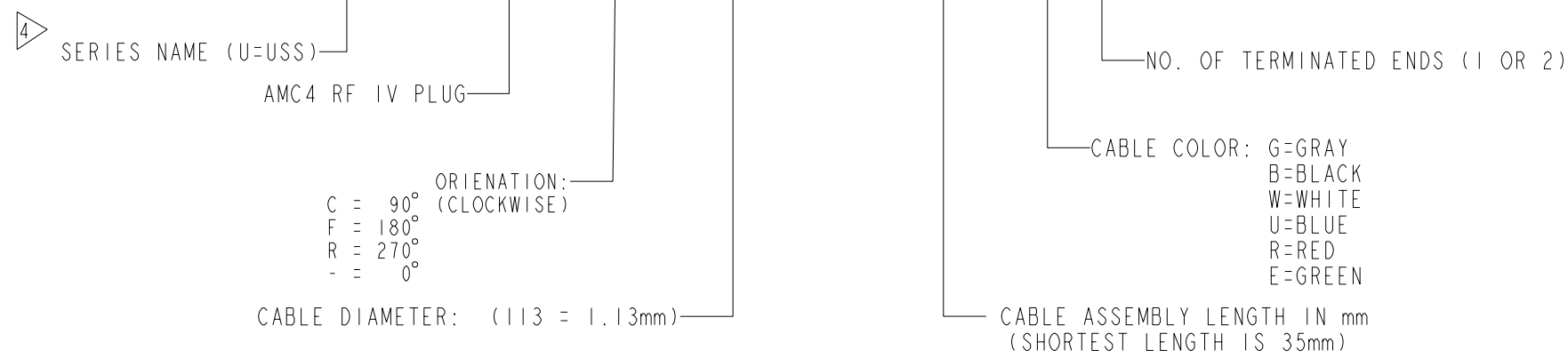
REV	DESCRIPTION	DATE	ECO	APPR
A	RELEASE TO MFG.	25-Feb-16		KZ
B	AMC4 WAS USS, ADD NOTE 4 AND 5	05-Jun-18	8268	NB



CABLE ASSEMBLY TOLERANCE		
OVERALL LENGTH L (mm)	STANDARD TOLERANCE (mm)	ORIENTATION TOLERANCE
35 < L < 200	± 4	± 30°
201 < L < 500	± 8	± 45°
501 < L < 1000	± 12	
1001 < L	± 1.5 %	



U - I P U X 1 1 3 - X X X Y Z



AMC4 RIGHT ANGLE PLUG

UNLESS OTHERWISE SPECIFIED, DIMENSIONS ARE IN METRIC AND TOLERANCES ARE: <0.5mm ±0.05mm 0.5 - 6mm ±0.1mm 6 - 30mm ±0.2mm 30 - 120mm ±0.3mm ANGLES ±1° NOTICE - These drawings, specifications, or other data (1) are, and remain the property of Amphenol corp. (2) must be returned upon request; and (3) are confidential and not to be disclosed to any person other than those to whom they are given by Amphenol Corp. the furnishing of these drawings, specifications, or other data by Amphenol Corp., or to any other person to anyone for any purpose is not to be regarded by implication or otherwise in any manner licensing, granting rights to permitting such holder or any other person to manufacture, use or sell any product, process or design, patented or otherwise, that may in any way be related to or disclosed by said drawings, specifications, or other data.	MATERIAL	DRAWN K. ZHANG	DATE 25-Feb-16	TITLE CABLE ASSY AMC4, PLUG	Amphenol RF www.amphenolrf.com	
	REFERENCE EAR #6325 U-IPAG081-XXXXZ	ENGINEER FIGO	DATE 25-Feb-16			
	FINISH	APPROVED S. HSIEH	DATE 12-Jun-18	SCALE: 8.0:1.0	SHEET 1 OF 1	DRAWING NO. U-IPUX113-XXXXZ
				DWG SIZE B	REV B	ITEM NO. U-IPUX113-XXXXZ PART NO. U-IPUX113-XXXXZ