

THIS DRAWING IS UNPUBLISHED.

RELEASED FOR PUBLICATION

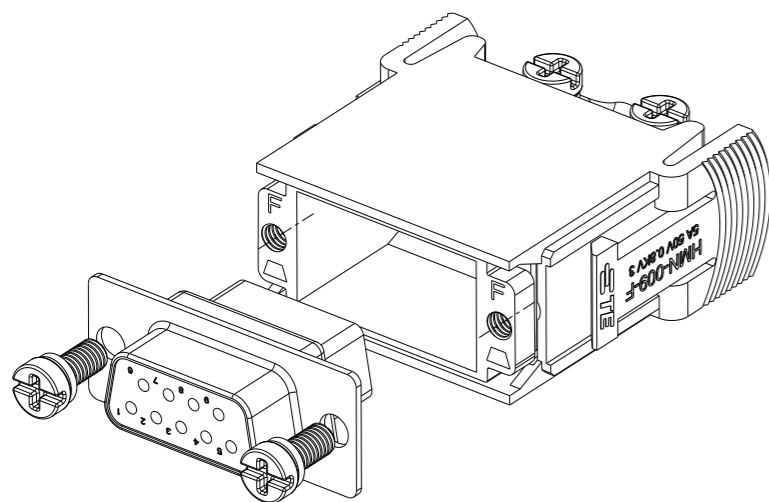
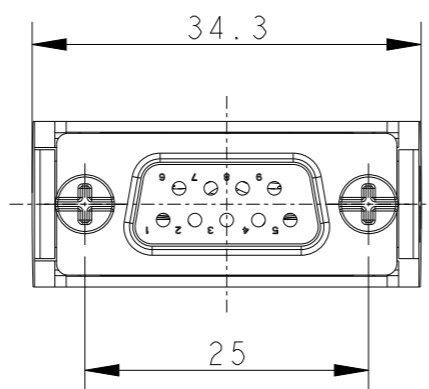
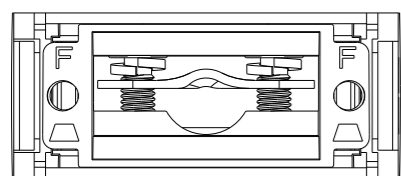
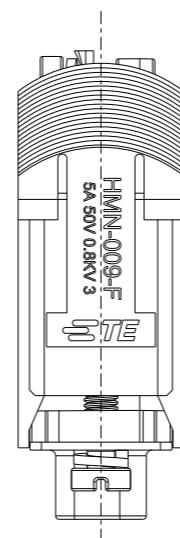
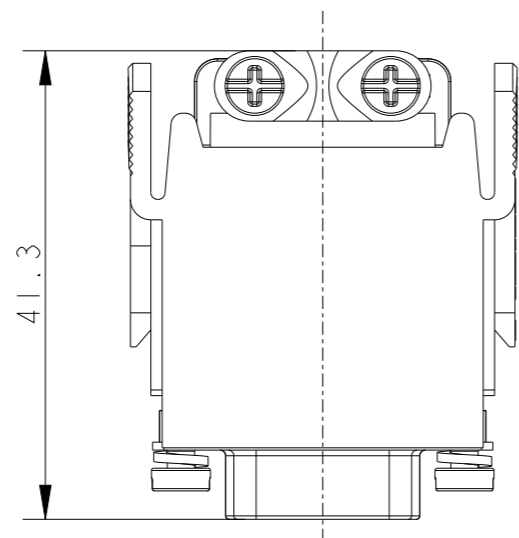
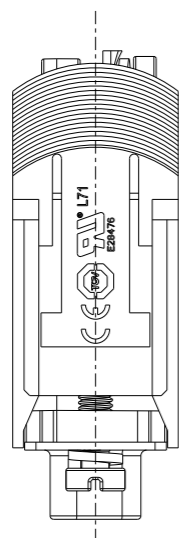
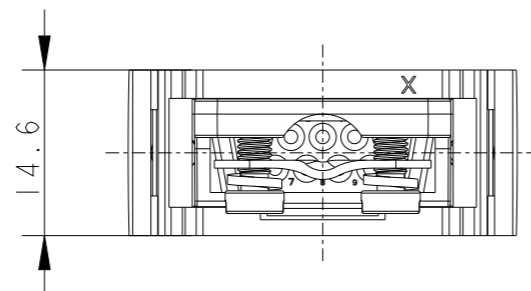
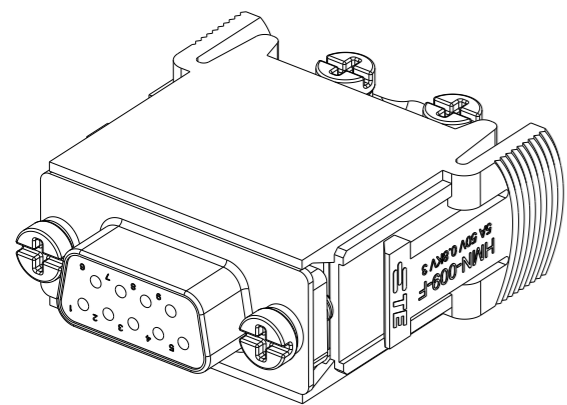
20

© COPYRIGHT 20 BY -

ALL RIGHTS RESERVED.

REVISIONS

P	LTR	DESCRIPTION	DATE	DWN	APVD
B1		ECR-18-013580	30AUG2018	WQR	CW
B2		ECR-19-000492	23JAN2019	AL	CW
C		ECR-19-004179	24APR2019	AL	CW
D		ECR-21-111798	27SEP2021	WQR	CW



NOTES:

- TECHNICAL CHARACTERISTICS:
 INSULATION MATERIAL: PC
 RATED VOLTAGE: 50V
 RATED CURRENT: 5A
 INSULATION RESISTANCE: $\geq 400M\Omega$
 RATED IMPULSE VOLTAGE: 0.8KV
 POLLUTION DEGREE: 3
 FLAMMABILITY: UL94V-0
 MATING CYCLES: 500 CYCLES
 WIRE RANGE: 0.08~0.52 mm² (28~20 AWG)
 CONTACT TYPE: CRIMP CONTACT
- CONTACT NEED TO BE ORDERED SEPARATELY.
 (ORDER No. REFER TO DRAWING:T20700X20XX000)

注释:

- 技术参数:
 绝缘材料: PC
 额定电压: 50V
 额定电流: 5A
 绝缘电阻: $\geq 400M\Omega$
 额定脉冲电压: 0.8KV
 污染等级: 3
 阻燃等级: UL94V-0
 插拔次数: 500次
 接线范围: 0.08~0.52 mm² (28~20 AWG)
 接线类型: 冷压接
- 端子需要单独订购.
 (订货号参考图面: T20700X20XX000)

T2111092201-000	HMN-009-F	HMN-009 FEMALE MODULE INSERT HMN-009模块母插
PART NUMBER 料号	DESCRIPTION 描述	

THIS DRAWING IS A CONTROLLED DOCUMENT.		DWN 24MAR2015 David Wang			
		CHK 24MAR2015 Chris.Wang			
		APVD 24MAR2015 Xiang.Xu	NAME HMN-009-F		
DIMENSIONS: mm		TOLERANCES UNLESS OTHERWISE SPECIFIED:	PRODUCT SPEC 108-137064		
		0 PLC ±- 1 PLC ±- 2 PLC ±- 3 PLC ±- 4 PLC ±- ANGLES ±-	APPLICATION SPEC 114-137064		
MATERIAL -		FINISH -	WEIGHT -	SIZE A3	CAGE CODE 00779
			DRAWING NO T2111092201000		RESTRICTED TO -
Customer Drawing			SCALE 3:2	SHEET 1 OF 1	REV D