

---

# SCF4

---

COMPACT 3 CHANNEL MICRO MOTOR CONTROLLER  
MODULE DESIGNED FOR MOTORIZED LENSES

## DATASHEET



**KUROKESU**

2021-02-07, Rev. #173

# About

## General Description

Tiny self-sufficient stepper motor controller **SCF4-M** module is designed for high integration customer products and can drive FIZ+ lens with 3 stepper motors (for example Focus/Zoom /P-Iris with micro-stepping up to 1/1024 steps for inaudible operation) and IR filter simultaneously. Also has 3 limit switch inputs and 4 GPIO (IN/OUT/ADC) pins for custom application control. The controller expects industry-standard G-code formatted commands for fastest and easiest integration. Designed to be connected over single USB cable (USART and I2C can be supported in custom firmware). Firmware modifications can be tailored to suit customer requirements. SCF4 - is a one in a series of Kurokesu stepper motor controllers and stands for Stepper Controller Model F, 4'th modification.

## Features

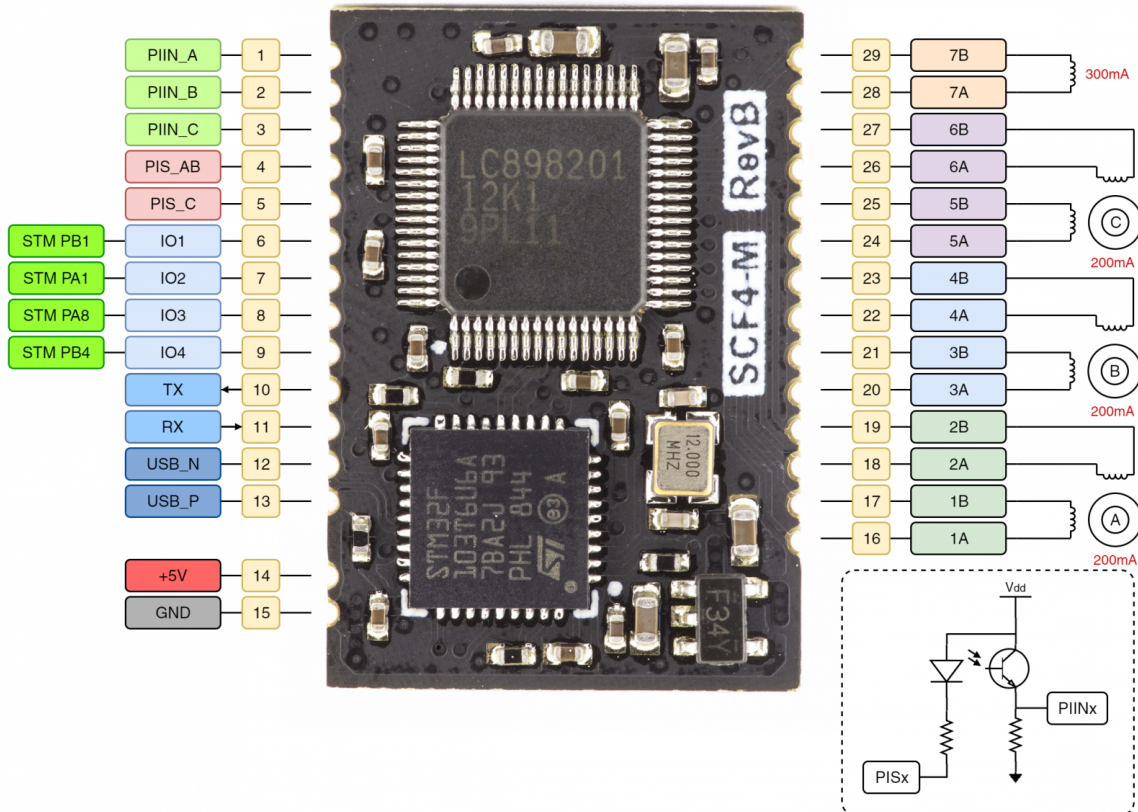
- Small footprint 16 x 23 x 2.3 mm [0.63 x 0.91 x 0.09 in]
- 3x stepper motor controller with up to 1/1024 micro-stepping support for each motor
- 1x H-bridge for coil control (day/night filter switch)
- 3x limit switch processing for precise lens homing/referencing
- Direct USB Full-speed (12 Mbit/s) connectivity
- 4x GPIO's with Input/Output/Analog functionality
- Industry standard G-code command set
- Can drive most lenses with bipolar stepper motors with minor or none tuning
- Certificates: REACH, RoHS, CE

## Applications

- Motorized zoom lenses
- Small test fixtures
- Micro mechanism control

# SCF4-M module

## Pin description



## Technical specifications

Module dimensions	16 x 23 x 2.3 mm [0.63 x 0.91 x 0.09 in]
Controlled stepper motors	3
Connectivity	<b>USB</b> (optional USART, I2C, SPI)
Module pin count	29
Stepper motor resolution	up to 1/1024 micro-steps (1/64 default)
PWM voltage levels for filter switch	H-Bridge (128 voltage levels)
Weight	0.9g

## Absolute maximum ratings

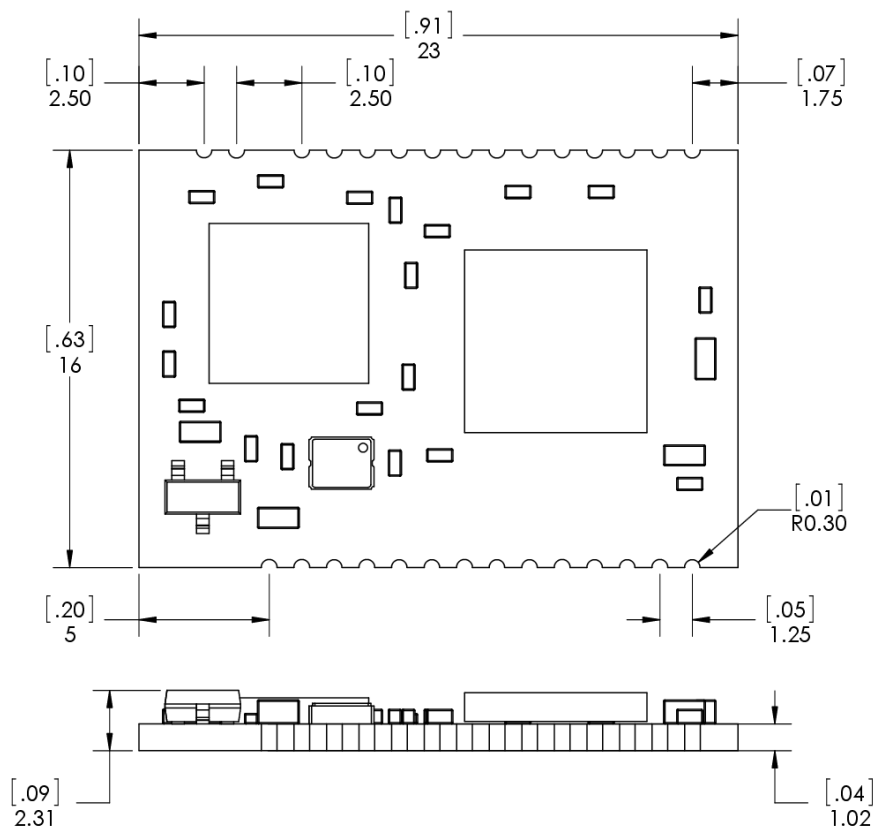
Min supply voltage	4.3	V
--------------------	-----	---

Max supply voltage	7.0	V
Stepper motor max current	200	mA @ 5V
IR Filter coil max current	300	mA @ 5V

## Operating parameters

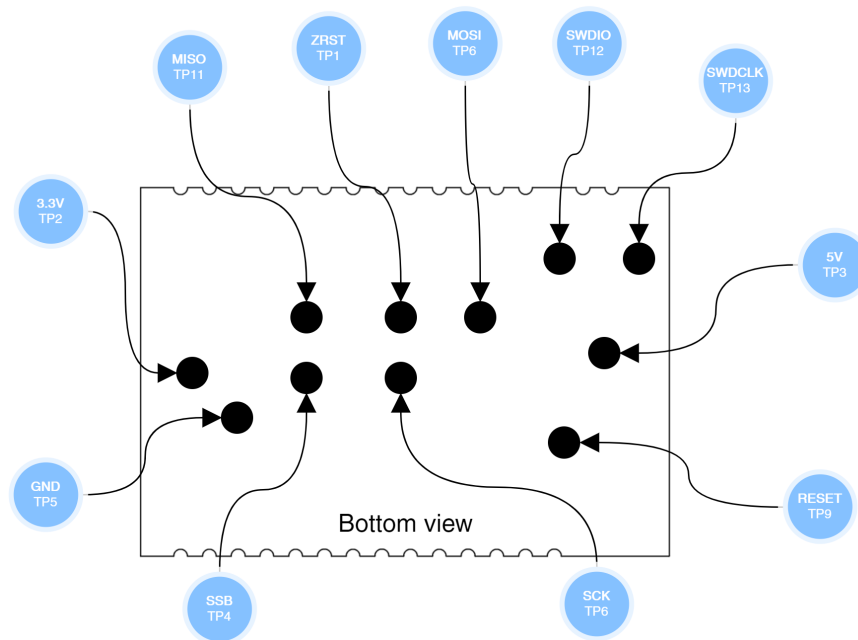
Operating voltage	4.5 ~ 5.5	V
Controller max current consumption	1	A @ 5V
Controller power rating	5	W
Relative Humidity	Non-Condensing	
Operating Temperature	-40 ~ 85	°C

## Mechanical dimensions



## Test points

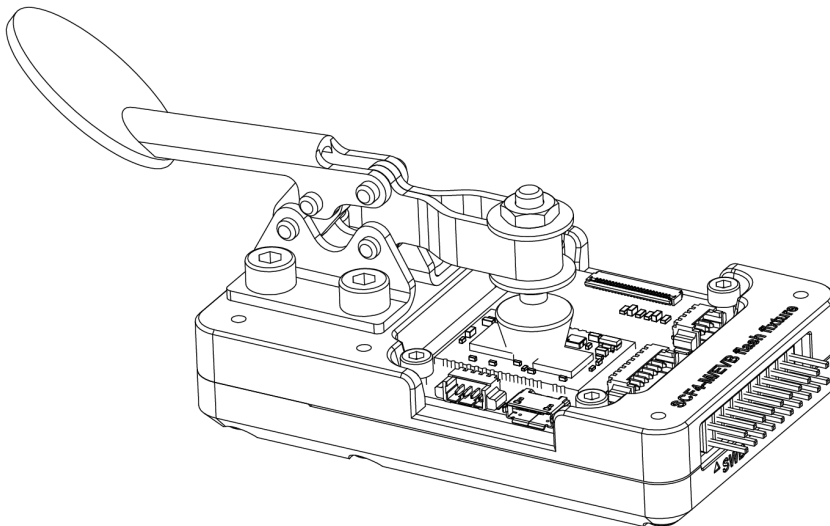
For testing, flashing firmware and post-production purposes SCF4-M module has several test points.



For exact dimensions and locations check 3D STEP file.

## Flash/test/post-production fixture

For large scale module or assembled evaluation board customizations, testing or post-production procedures at customer premises test fixture can be supplied.



## Controlling SCF4 with G-code commands

FIZ+ controller expects industry-standard G-code formatted commands. Commands are text-based and human-readable. Some highlights and behavior notes:

- Controller has limited buffer/cache functionality, a user should rely on single command execution at a time. Each command ends with a response
- Controller never sends commands back to the computer without asking
- **G1** linear interpolation is not supported, but it can be implemented by setting motion speeds and feeds manually

### G-code introduction

G-code is the common name for the most widely used numerical control (CNC) programming language. It tells the motors where to move, how fast to move, and what path to follow. G-code has many variants and each machine has unique behavior implementation. More details on G-code can be found at <https://en.wikipedia.org/wiki/G-code>

### Index of supported G-code commands

Below is a list of supported commands. For a detailed explanation and usage examples see next section.

#### Version strings and identification commands

Command	Description	Returns
<b>\$S</b>	Return version, sn, model and brand strings	See details below

#### Controller initialization

Command	Description	Returns
<b>\$B1</b>	Reset motor driver	<b>OK</b>
<b>\$B2</b>	Reset and initialize motor driver	<b>OK</b>
<b>\$B3</b>	Reset STM32F103 processor	<b>OK</b>

#### Motion commands

Command	Description	Returns
<b>G0</b>	Rapid positionin	<b>OK</b>
<b>G4</b>	Wait / stall	after complete <b>OK</b>

G90	Absolute programming mode	OK
G91	Incremental programming mode	OK
G92	Set position	OK

### Miscellaneous function

Command	Description	Returns
M0	Compulsory stop	OK
M7	DN function with filter (VIS)	OK
M8	DN function no filter (IR + VIS)	OK
M230	Set normal move	OK
M231	Set normal + forced move	OK
M232	Set PI low/high detection voltage	OK
M234	Set motor and DN drive current	OK
M235	Set motor idle current	OK
M238	PI LED on (some lenses leak light into sensor)	OK
M239	PI LED off	OK
M240	Set motor drive speed	OK
M245	Drive AUX output to low (high resistance output)	OK
M246	Drive AUX output to high (low resistance output)	OK
M247	Read power supply voltage value	ADC=xxxx

### Advanced function

Command	Description	Returns
M241	Dividing setting 1	OK
M242	Pulse generation control 1	OK
M243	Microstepping	OK
M244	Dividing setting 2	OK

### Status commands

Command	Description	Returns
!1	Return motor pos, limit sw, moving status	4000, 20000, 0, 0, 0, 0, 0, 0

## Controlling SCF4 with G-code commands explanation and usage examples

### Axis description

Driver support bipolar stepper motors for 3 axes. They are named A/B/C and usually have defined function:

- A - zoom
- B - focus
- C - aperture

### `$S` - Return version string

Command returns version string concentrated into single line `EVB.1.0.2, SCF4-M RevB, Kurokesu, 5DDFF39-3739584E-xxxxxxx` received information is comma separated:

- `EVB.1.0.2` - Module firmware version
- `SCF4-M RevB` - Module PCB revision
- `Kurokesu` - Manufacturer Brand
- `5DDFF39-3739584E-xxxxxxx` - Unique serial number

### `G0` - Rapid positioning

The main motor drive command. It moves motor specified number steps. Any or all axes can be specified at the same time. Minimal step size is 1. `G0` command replies as soon as the command is parsed and does not wait until motors stop.

- `G0 A100` - drives A-axis 100 steps
- `G0 A-100` - drives A-axis -100 steps
- `G0 A100 B-100 C1000` - drives all three axes by specified step count

### `G4` - Wait

Instructs controller to delay (stall) defined interval in milliseconds [ms]. This is an only command which sends response not after parsing command but after prolonged execution time. During this time command parser is blocked and the only way to complete this command is to wait until it finishes.

### `G90` - Relative coordinates

Switch to relative coordinate programming mode. Motors can be instructed to turn positive or negative 0 ~ 65535 steps (16-bits). When the counter exceeds this range, it will overflow. And will not affect motor movement.



**G91** - Absolute coordinates

Switch to absolute coordinate programming mode. In this mode, the range is limited by the internal 16-bit motor register and can be operated in a range of 0 ~ 65535.

**G92** - Set position

The controller sets an internal counter to the specified value.

- **G92 A0** - Set A axis counter to 0
- **G92 A100** - Set A axis counter to 100
- **G92 A100 B1000 C200** - Set all axis counters to specified counter values

**M0** - Compulsory stop

If the controller is not in G4 delay mode it will instruct motors to stop moving

**M7** and **M8** - Infrared filter switch commands

Instructs controller to shift filter to one of two fixed positions

**M230** and **M231** - normal / forced move

- Default is normal mode in which motors turn instructed step count and stop after
- In forced mode controller does not stop turning motor after specified step count is reached, instead seeks corresponding port PIN\_x status state change. Internal step counter may overflow. Motion is stopped when input status changes, **M0** or reset command is issued. PIN\_x is connected to internal 12bit Analog to Digital Converter (ADC), lower and upper thresholds can be controlled with **M232** command

**M232** - Set PI low/high detection voltage

Set 12bit comparator values for limit switch detection inputs. Upper voltage is 3.3V, lower - 0V

- A, B, C - set lower threshold values
- E, F, G - set upper threshold values
- **M232 A1242 E2483** - If the input voltage is below ~1V - set flag to **0**. If the value is above ~2V, set flag to **1**. Everything in between - is hysteresis and does not change the flag. Used to debounce and filter the input signal

**M234** - Set motor and DN drive current

Sets motor and coil drive current. Expects 8-bit value.

- **M234 A120 B120 C120 D80** - Set A, B, C stepper motors strength to 120 and IR filter driver to 80

**M235** - Set motor idle current

When motors are not moving, idle current can be reduced to eliminate heating and save energy. It is not advised to completely turn off motors as the driver can lose micro-step holding position

- **M234 A50 B50 C50** - Sets A/B/C motors holding current to value 50

**M238** and **M239** - control output pins

Opto-interrupter LEDs can be controlled by connecting them to PIS\_AB and PIS\_C pins. They can stay in either state, but some lenses in IR mode can leak light into the sensor so after referencing/calibration procedure is complete it is advised to switch them off

**M240** - Set motor drive speed

Each motor can drive at different speeds. Speed is 16-bit register. Register specifies internal timing interval, the lower value is the faster pulse rate will be.

- **M240 A800 B800 C1200** - Set motion speeds for each axis to corresponding value

**M241**, **M242**, **M243**, **M244** - advanced timing registers

- These registers control motor driver timing and should not be altered normally, however in some cases it can be necessary to make adjustments. Please seek the support of you have questions

**M245** - Drive AUX output to low

Command drives auxiliary output to high resistance state. This is default value after power up or CPU reset.

- i** Feature added in EVB.1.1.0 firmware. Used in **SCF4-L090 revC** and **SCF4-L087 revB** boards.

**M246** - Drive AUX output to high

Command drives auxiliary output to low resistance state.

- i** Feature added in EVB.1.1.0 firmware. Used in **SCF4-L090 revC** and **SCF4-L087 revB** boards.

**M247** - Read power supply voltage value

Command reads power supply voltage. Responds with 12bit decimal value. Reference voltage is  $V_{ref}=3.3$

Symbol	Value	Units	Note
Vref	3.3	V	
ADC_TOP	4096		12bit max ADC value

SCALE	0.5		Boards uses resistance divider
ADC			Value returned by command

Conversion to voltage:  $V_{in} = \text{ADC}/4096 * V_{ref}/\text{DIV}$

- i** Feature added in EVB.1.1.0 firmware. Used in **SCF4-L090 revC** and **SCF4-L087 revB** boards.

### **!1** - Return status

Command returns 9 values indicating:

- `4000, 20000, 0, 0, 0, 0, 0, 0, 0` - example output
- A Motor position counter
- B Motor position counter
- C Motor position counter
- A Limit switch status
- B Limit switch status
- C Limit switch status
- A Moving status
- B Moving status
- C Moving status

## Controlling over I2C port

**i** Applies to EVB.1.2.0 firmware where I2C is implemented

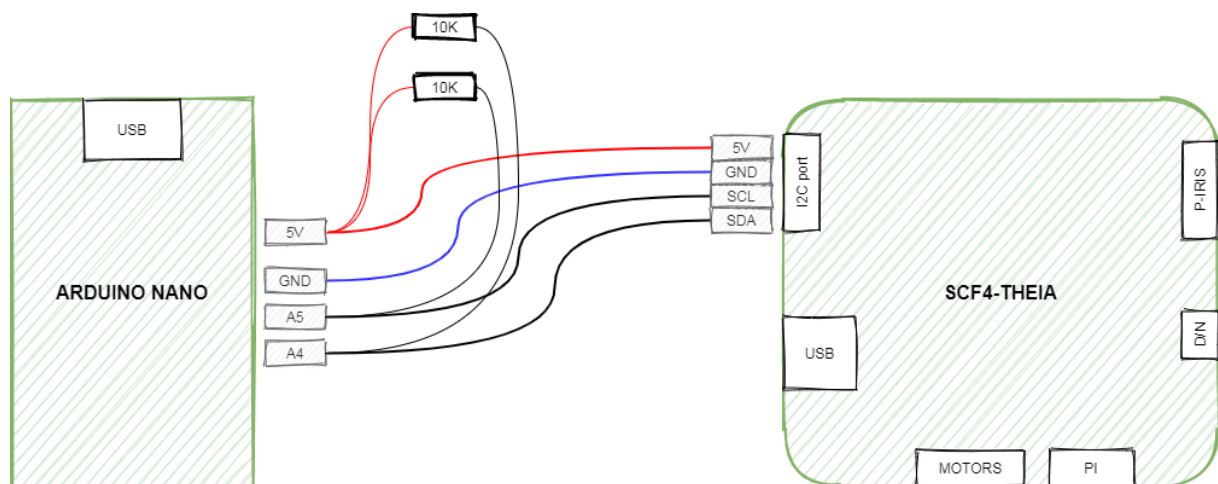
**i** Slave address: 0x33

### About

In order to simplify I2C communication, firmware utilizes one one direction read/write operations. All commands expect 5 bytes, where first byte is function address, remaining bytes is payload.

USB-CDC works in parallel with I2C functionality and independently, but it is recommended to use single communication channel once controller is initialized.

### Wiring



**⚠** In order to avoid power loops, do not connect both (SCF4 and Arduino) USB ports at the same time.

### Write data

All commands are fixed length consisting of 5 bytes.

W: I2C ADDR	FUNCTION	BYTE1	BYTE2	BYTE3	BYTE4
-------------	----------	-------	-------	-------	-------

## Read data

First issue write command (register values are ignored). This step performs necessary calculations and fills memory with registers ready for reading in next step.

W: I2C ADDR	FUNCTION	BYTE1	BYTE2	BYTE3	BYTE4
-------------	----------	-------	-------	-------	-------

Read command also consists of 5 bytes. FUNCTION repeats last write command value.

R: I2C ADDR	FUNCTION	BYTE1	BYTE2	BYTE3	BYTE4
-------------	----------	-------	-------	-------	-------

## Commands

ADDR	REGISTER NAME	R/W	FUNCTION
0x02	<b>RESET_CPU</b>	W	Reset STM32 CPU
0x03	<b>INIT_DRV</b>	W	Reset and initialize motor driver
0x05	<b>AUX_OUT</b>	W	Control AUX output on/off
0x06	<b>MODE</b>	W	Normal / forced move
0x07	<b>STOP</b>	W	Compulsory stop
0x08	<b>PI_LEDS</b>	W	Switch on ON or OFF PI LEDs
0x09	<b>MOTOR_SLEEP_PWR</b>	W	Set motor sleep power
0x0A	<b>MOTOR_DRV_PWR</b>	W	Set motor working power
0x0B	<b>MOTOR_SPEED</b>	W	Set motor speed
0x0C	<b>PI_THRESHOLD</b>	W	Set PI detector thresholds
0x0D	<b>READ_STATUS</b>	R	Read controller status
0x0E	<b>SET_MOTOR_POS</b>	W	Set current motor position
0x0F	<b>SET_MICROSTEPPING</b>	W	Set motor micro-stepping mode
0x10	<b>DN_SWITCH</b>	W	IR fitler
0x20	<b>MOVE</b>	W	Move motor

## Command explanation

### **RESET\_CPU** - Reset CPU

Resets CPU. Other values are ignored.

Description	FUNCTION	BYTE1	BYTE2	BYTE3	BYTE4
-------------	----------	-------	-------	-------	-------

Reset CPU	0x02	ignored	ignored	ignored	<b>0x32</b>
-----------	------	---------	---------	---------	-------------

### **INIT\_DRV** - Reset motor driver

Resets and initializes motor controller. Other values are ignored.

Description	FUNCTION	BYTE1	BYTE2	BYTE3	BYTE4
Initialize motor driver	0x03	ignored	ignored	ignored	<b>0x32</b>

### **AUX\_OUT** - Control AUX output

Controls GPIO output

Description	FUNCTION	BYTE1	BYTE2	BYTE3	BYTE4
Set AUX to Low	0x05	ignored	ignored	ignored	<b>0x00</b>
Set AUX to High	0x05	ignored	ignored	ignored	<b>0x01</b>

### **MODE** - Normal / forced move

Selects between normal and normal+forced move mode

Description	FUNCTION	BYTE1	BYTE2	BYTE3	BYTE4
Normal move mode	0x06	ignored	ignored	<b>Channel</b>	<b>0x00</b>
Normal+Forced move mode	0x06	ignored	ignored	<b>Channel</b>	<b>0x01</b>

Channel encoding:

Channel	BYTE3 value
A	0x01
B	0x02
C	0x03

### **STOP** - Compulsory stop

Stop movement of all motors

Description	FUNCTION	BYTE1	BYTE2	BYTE3	BYTE4
Reset CPU	0x07	ignored	ignored	ignored	<b>0x32</b>

**PI\_LEDS** - Switch on ON or OFF PI LEDs

Control LEDs used in homing procedure.

Description	FUNCTION	BYTE1	BYTE2	BYTE3	BYTE4
OFF	0x08	ignored	ignored	ignored	<b>0x00</b>
ON	0x08	ignored	ignored	ignored	<b>0x01</b>

**MOTOR\_SLEEP\_PWR** - Set motor sleep power

Set motor sleep current

Description	FUNCTION	BYTE1	BYTE2	BYTE3	BYTE4
Set current	0x09	ignored	ignored	<b>Channel</b>	<b>Power</b>

Channel encoding:

Channel	BYTE3 value
A	0x01
B	0x02
C	0x03

**MOTOR\_DRV\_PWR** - Set motor working power

Set motor operating current

Description	FUNCTION	BYTE1	BYTE2	BYTE3	BYTE4
Set current	0x0A	ignored	ignored	<b>Channel</b>	<b>Power</b>

Channel encoding:

Channel	BYTE3 value
A	0x01
B	0x02
C	0x03
D	0x04

**MOTOR\_SPEED** - Set motor speed

Set motor speed

Description	FUNCTION	BYTE1	BYTE2	BYTE3	BYTE4
Set speed	0x0B	ignored	Channel	Speed [15:8]	Speed [7:0]

Channel encoding:

Channel	BYTE2 value
A	0x01
B	0x02
C	0x03

**PI\_THRESHOLD** - Set PI detector thresholds

Set limit switch optocoupler detector thresholds

Description	FUNCTION	BYTE1	BYTE2	BYTE3	BYTE4
Set threshold	0x0C	ignored	Channel	Signal [15:8]	Signal [7:0]

Channel encoding:

Channel	BYTE2 value
A LOW	0x01
B LOW	0x02
C LOW	0x03
A HIGH	0x04
B HIGH	0x05
C HIGH	0x06

**READ\_STATUS** - Read controller status

Read motor status, PI status and motor positions

Description	FUNCTION	BYTE1	BYTE2	BYTE3	BYTE4
Set current	0x0D	ignored	ignored	ignored	Channel



Channel encoding:

Channel	BYTE2 value
A position	0x01
B position	0x02
C position	0x03
PI_A status	0x04
PI_B status	0x05
PI_C status	0x06
A moving	0x07
B moving	0x08
C moving	0x09

Returns:

Description	FUNCTION	BYTE1	BYTE2	BYTE3	BYTE4
Status return value	0x0D	Value [31:24]	Value [23:16]	Value [15:8]	Value [7:0]

### SET\_MOTOR\_POS - Set position

Redefine current position

Description	FUNCTION	BYTE1	BYTE2	BYTE3	BYTE4
Set position	0x0E	Channel	Speed [23:16]	Speed [15:8]	Speed [7:0]

Channel encoding:

Channel	BYTE1 value
A	0x01
B	0x02
C	0x03

### SET\_MICROSTEPPING - Set microstepping mode

Set microstepping mode for defined channel

Description	FUNCTION	BYTE1	BYTE2	BYTE3	BYTE4
-------------	----------	-------	-------	-------	-------

Set microstepping	0x0F	ignored	ignored	<b>Channel</b>	<b>Mode</b>
-------------------	------	---------	---------	----------------	-------------

Channel encoding:

Channel	BYTE1 value
A	0x01
B	0x02
C	0x03

### **MOVE** - Move motor

Move motor defined step count.

Description	FUNCTION	BYTE1	BYTE2	BYTE3	BYTE4
Steps	0x20	<b>Channel</b>	<b>Direction</b>	<b>Steps [15:8]</b>	<b>Steps [7:0]</b>

Channel encoding:

Channel	BYTE2 value
A	0x01
B	0x02
C	0x03

**i** MAX steps is:  $0xFFFF-1 = 0xFFFE$

**i** Theia lens exceeds 0xFFFF step count, thus absolute positioning has to be implemented on client side code

### **DN\_SWITCH** - IR filter switch

Switch filter to day or night position

Description	FUNCTION	BYTE1	BYTE2	BYTE3	BYTE4
POS1	0x10	ignored	ignored	ignored	<b>0x00</b>
POS2	0x10	ignored	ignored	ignored	<b>0x01</b>

## Arduino sketch example

Demo output should look like

```
SCF4-M I2C tester

Init driver
Set microstepping
Move mode
PI LEDS
Set drive pwr
Set sleep pwr
Set motor speeds
Set PI thresholds
Read status: posA
D 0 0 0 0
Read status: PI A
D 0 0 0 1
Homing A
Homing B
Move +A
Move -A
Move +B
Move -B
Move +C
Move -C
Set position
DN 0
DN 1
DN 0
DN 1
Last return from I2C port: ok
Loop...
```

`tester.ino`

```
#include <wire.h>

#define CH_A 0x01
#define CH_B 0x02
#define CH_C 0x03
#define CH_D 0x04

#define CCW 0
#define CW 1
```

```
void err_print(byte err)
{
  if (err == 0)
  {
    Serial.println("ok");
  }
  else if (err==4)
  {
    Serial.println("failed");
  }
}

void setup()
{
  Wire.begin();
  Serial.begin(115200);
  while (!Serial);
  Serial.println("\nSCF4-M I2C tester\n");
}

void loop()
{
  byte error;

  Serial.println("Init driver");
  SCF4_INIT_DRIVER();

  Serial.println("Set microstepping");
  SCF4_MICROSTEPPING(2, CH_A);
  SCF4_MICROSTEPPING(2, CH_B);
  SCF4_MICROSTEPPING(6, CH_C);

  Serial.println("Move mode");
  SCF4_MODE(0x00, CH_A);
  SCF4_MODE(0x00, CH_B);
  SCF4_MODE(0x00, CH_C);

  Serial.println("PI LEDS");
  SCF4_PI_LEDS(0x01);

  Serial.println("Set drive pwr");
  SCF4_DRV_PWR(180, CH_A);
  SCF4_DRV_PWR(180, CH_B);
  SCF4_DRV_PWR(180, CH_C);
  SCF4_DRV_PWR(90, CH_D);
}
```

```
Serial.println("Set sleep pwr");
SCF4_SLEEP_PWR(50, CH_A);
SCF4_SLEEP_PWR(50, CH_B);
SCF4_SLEEP_PWR(50, CH_C);

Serial.println("Set motor speeds");
SCF4_MOTOR_SPEED(5000, CH_A);
SCF4_MOTOR_SPEED(5000, CH_B);
SCF4_MOTOR_SPEED(5000, CH_C);

Serial.println("Set PI thresholds");
SCF4_PI_THRESHOLD(2000, 0x01);
SCF4_PI_THRESHOLD(2000, 0x02);
SCF4_PI_THRESHOLD(2000, 0x03);
SCF4_PI_THRESHOLD(3000, 0x04);
SCF4_PI_THRESHOLD(3000, 0x05);
SCF4_PI_THRESHOLD(3000, 0x06);

Serial.println("Read status: posA");
SCF4_READ_STATUS(0x01);
Serial.println("Read status: PI A");
SCF4_READ_STATUS(0x04);

Serial.println("Homing A");
MOVE(30000, CW, CH_A);
delay(2000);
SCF4_MODE(0x01, CH_A);
MOVE(0x100, CCW, CH_A);
delay(15000); // status reading is not implemented, for testing 15s timeout is
used
SCF4_MODE(0x00, CH_A);
SET_MOTOR_POS(100, CH_A);

Serial.println("Homing B");
MOVE(30000, CW, CH_B);
delay(2000);
SCF4_MODE(0x01, CH_B);
MOVE(0x100, CCW, CH_B);
delay(15000); // status reading is not implemented, for testing 15s timeout is
used
SCF4_MODE(0x00, CH_B);
SET_MOTOR_POS(100, CH_B);
```

```
// normal operation starts here

Serial.println("Move +A");
MOVE(0xFFFFE, CW, CH_A);
delay(5000);
Serial.println("Move -A");
MOVE(0xFFFFE, CCW, CH_A);
delay(5000);

Serial.println("Move +B");
MOVE(0xFFFFE, CW, CH_B);
delay(5000);
Serial.println("Move -B");
MOVE(0xFFFFE, CCW, CH_B);
delay(5000);

Serial.println("Move +C");
MOVE(1000, CW, CH_C);
delay(2000);
Serial.println("Move -C");
MOVE(1000, CCW, CH_C);
delay(2000);

Serial.println("Set position");
//SET_MOTOR_POS(100, 0x01);
//SET_MOTOR_POS(200, 0x01);
//SET_MOTOR_POS(300, 0x01);

//STOP();

Serial.println("DN 0");
DN_SWITCH(0);
delay(1000);
Serial.println("DN 1");
DN_SWITCH(1);
delay(1000);
Serial.println("DN 0");
DN_SWITCH(0);
delay(1000);
Serial.println("DN 1");
DN_SWITCH(1);
```

```
    delay(1000);

    Serial.print("Last return from I2C port: ");
    err_print(error);

    Serial.println("Loop...");
    while(1)
    {
    }
}
```

#### scf4\_i2c.ino

```
// SCL - A5
// SDA - A4

#include <Wire.h>
#define SCF4_ADDR 0x33

// SCF4 is not signaling busy status, thus fixed delay is added
// If next I2C command is sent too soon it might be ignored
#define I2C_SLEEP 200

byte SCF4_AUX(byte status)
{
    byte function = 0x05;
    byte error;

    //byte w1 = (counter&0xFF);
    //byte w2 = ((counter>>8)&0xFF);
    //byte w3 = ((counter>>16)&0xFF);
    //byte w4 = ((counter>>24)&0xFF);

    Wire.beginTransmission(SCF4_ADDR);
    Wire.write(function);
    Wire.write(0);
    Wire.write(0);
    Wire.write(0);
    Wire.write(status);
    error = Wire.endTransmission();
    delay(I2C_SLEEP);

    return error;
}
```

```
byte SCF4_RESET_CPU(void)
{
  byte function = 0x02;
  byte error;

  Wire.beginTransmission(SCF4_ADDR);
  Wire.write(function);
  Wire.write(0);
  Wire.write(0);
  Wire.write(0);
  Wire.write(0x32);
  error = Wire.endTransmission();
  delay(I2C_SLEEP);

  return error;
}

byte SCF4_INIT_DRIVER(void)
{
  byte function = 0x03;
  byte error;

  Wire.beginTransmission(SCF4_ADDR);
  Wire.write(function);
  Wire.write(0);
  Wire.write(0);
  Wire.write(0);
  Wire.write(0x32);
  error = Wire.endTransmission();
  delay(I2C_SLEEP);

  return error;
}

byte SCF4_MODE(byte mode, byte ch)
{
  byte function = 0x06;
  byte error;

  Wire.beginTransmission(SCF4_ADDR);
  Wire.write(function);
  Wire.write(0);
  Wire.write(0);
  Wire.write(ch);
  Wire.write(mode);
}
```



```
error = wire.endTransmission();
delay(I2C_SLEEP);

return error;
}

byte SCF4_PI_LEDS(byte mode)
{
    byte function = 0x08;
    byte error;

    wire.beginTransaction(SCF4_ADDR);
    wire.write(function);
    wire.write(0);
    wire.write(0);
    wire.write(0);
    wire.write(mode);
    error = wire.endTransmission();
    delay(I2C_SLEEP);

    return error;
}

byte SCF4_SLEEP_PWR(byte pwr, byte ch)
{
    byte function = 0x09;
    byte error;

    wire.beginTransaction(SCF4_ADDR);
    wire.write(function);
    wire.write(0);
    wire.write(0);
    wire.write(ch);
    wire.write(pwr);
    error = wire.endTransmission();
    delay(I2C_SLEEP);

    return error;
}

byte SCF4_DRV_PWR(byte pwr, byte ch)
{
    byte function = 0x0A;
    byte error;

    wire.beginTransaction(SCF4_ADDR);
```

```
Wire.write(function);
Wire.write(0);
Wire.write(0);
Wire.write(ch);
Wire.write(pwr);
error = Wire.endTransmission();
delay(I2C_SLEEP);

return error;
}

byte SCF4_MOTOR_SPEED(int speed, byte ch)
{
    byte function = 0x0B;
    byte error;

    Wire.beginTransmission(SCF4_ADDR);
    Wire.write(function);
    Wire.write(0);
    Wire.write(ch);
    Wire.write(highByte(speed));
    Wire.write(lowByte(speed));
    error = Wire.endTransmission();
    delay(I2C_SLEEP);

    return error;
}

byte SCF4_PI_THRESHOLD(int level, byte ch)
{
    byte function = 0x0C;
    byte error;

    Wire.beginTransmission(SCF4_ADDR);
    Wire.write(function);
    Wire.write(0);
    Wire.write(ch);
    Wire.write(highByte(level));
    Wire.write(lowByte(level));
    error = Wire.endTransmission();
    delay(I2C_SLEEP);

    return error;
}

byte SCF4_READ_STATUS(byte ch)
```

```
{
  byte function = 0x0D;
  byte error;

  /*
   * channel:
   * 0x00 - dummy, reads 0x87, 0x65, 0x43, 0x21
   * 0x01 - chA.position
   * 0x02 - chB.position
   * 0x03 - chC.position
   * 0x04 - piA.status
   * 0x05 - piB.status
   * 0x06 - piC.status
   * 0x07 - chA.moving
   * 0x08 - chB.moving
   * 0x09 - chC.moving
   */

  Wire.beginTransmission(SCF4_ADDR);
  Wire.write(function);
  Wire.write(0);
  Wire.write(0);
  Wire.write(0);
  Wire.write(ch);
  error = Wire.endTransmission();

  delay(I2C_SLEEP);

  byte w1 = 0xff;
  byte w2 = 0xff;
  byte w3 = 0xff;
  byte w4 = 0xff;
  byte w5 = 0xff;

  Wire.requestFrom(SCF4_ADDR, 5);
  w1 = Wire.read();
  w2 = Wire.read();
  w3 = Wire.read();
  w4 = Wire.read();
  w5 = Wire.read();

  Serial.print(w1, HEX);
  Serial.print(" ");
  Serial.print(w2, HEX);
  Serial.print(" ");
  Serial.print(w3, HEX);
```

```
Serial.print(" ");
Serial.print(w4, HEX);
Serial.print(" ");
Serial.print(w5, HEX);
Serial.println();

delay(I2C_SLEEP);

// TODO: return read values
return error;
}

byte SET_MOTOR_POS(int pos, byte ch)
{
    byte function = 0x0E;
    byte error;

    Wire.beginTransmission(SCF4_ADDR);
    Wire.write(function);
    Wire.write(ch);
    Wire.write(0);
    Wire.write(highByte(pos));
    Wire.write(lowByte(pos));
    error = Wire.endTransmission();
    delay(I2C_SLEEP);

    return error;
}

byte MOVE(unsigned int steps, byte dir, byte ch)
{
    byte function = 0x20;
    byte error;

    Wire.beginTransmission(SCF4_ADDR);
    Wire.write(function);
    Wire.write(ch);
    Wire.write(dir);
    Wire.write(highByte(steps));
    Wire.write(lowByte(steps));
    error = Wire.endTransmission();
    delay(I2C_SLEEP);

    return error;
}
```

```
byte DN_SWITCH(byte mode)
{
  byte function = 0x10;
  byte error;

  Wire.beginTransmission(SCF4_ADDR);
  Wire.write(function);
  Wire.write(0);
  Wire.write(0);
  Wire.write(0);
  Wire.write(mode);
  error = Wire.endTransmission();
  delay(I2C_SLEEP);

  return error;
}

byte SCF4_MICROSTEPPING(byte stepping, byte ch)
{
  byte function = 0x0F;
  byte error;

  Wire.beginTransmission(SCF4_ADDR);
  Wire.write(function);
  Wire.write(0);
  Wire.write(0);
  Wire.write(ch);
  Wire.write(stepping);
  error = Wire.endTransmission();
  delay(I2C_SLEEP);

  return error;
}

byte STOP(void)
{
  byte function = 0x07;
  byte error;

  Wire.beginTransmission(SCF4_ADDR);
  Wire.write(function);
  Wire.write(0);
  Wire.write(0);
  Wire.write(0);
  Wire.write(0x32);
}
```

```
error = wire.endTransmission();  
delay(I2C_SLEEP);  
  
return error;  
}
```

# Demonstration software

## Overview

SCF4-SDK comes with open-sourced command line and GUI sample programs for rapid controller evaluation. A simple control software example is provided for testing and demonstration. Software is given "as is" to help with getting started and testing.

Source code is maintained on [GitHub](#)

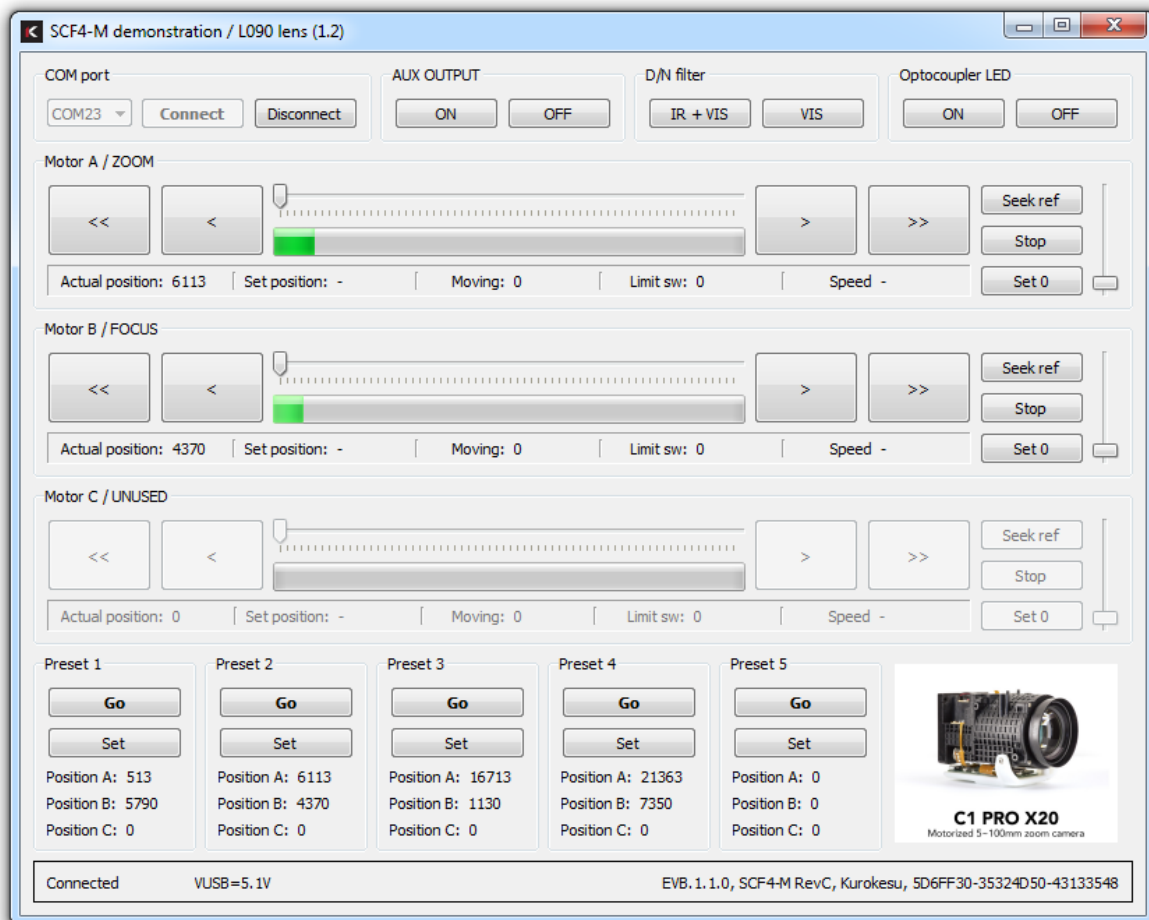
There are several control software branches maintained in parallel for different cameras. See table below for details

Camera / Product	Controller board	Notes
<a href="#">C1_PRO_X18</a>	SCF4-L087	Camera block with 18x motorized zoom lens
<a href="#">C1_PRO_X20</a>	SCF4-L090	Camera block with 20x motorized zoom lens
<a href="#">C1_PRO_X10</a>	SCF4-L054	Camera with 10x motorized zoom lens
<a href="#">C1_PRO_X3</a>	SCF4-L050	Camera with 3x motorized zoom lens
<a href="#">SCF4-L065-KIT</a>	SCF4-EVB	5-50mm lens with M14/CS mount
<a href="#">SCF4-L002-KIT</a>	SCF4-EVB	2.8-12mm lens with M14/CS mount

## GUI

Python program with a graphical user interface allows many parameters to be controlled by an inexperienced user. To keep user interface uncluttered some parameters are not displayed. After connecting to SCF4 controller virtual serial port version string should be displayed at the bottom. Also, all controls will be activated. From now relative movement commands should be issued to check if connected motors turn properly (once button is pressed it will change positioning mode to absolute). When sliders operated positioning is switched to absolute mode, it makes sense after the axis is referenced.

Python scripting language with PyQt5 user interface was chosen because of rapid development and clear syntax. Python 3.6 and a few dependencies should be installed before running any examples. Python and PyQt5 enables modern cross-platform user interface capable of running on high DPI monitors correctly.



Many lenses and motion systems can be connected to the controller and they can be split into two groups - with and without limit/reference switch/sensor. So there are two fundamentally different homing approaches.

1. Homing without limit switch is not very accurate but universal and works with all lenses. Idea is to rotate motor until the mechanical system hits its limit, then rotate a bit backwards and mark position as **0**. The lens should not sustain any irreversible damage, but this procedure should not be performed often.
2. The lens can incorporate various limit or reference switch configurations, therefore homing procedure should be adapted to a particular geometry. For example, the lens has reference opto-interrupter when it crosses the middle of its travel. By reading status register it becomes clear at which section lens axis is and motor should be moved to center until switch changes status. To complicate things even more optocoupler or any switch has backlash/hysteresis and controller comparator has adjustable lower and upper thresholds. Good understanding of how particular lens behaves is a must and still, it can take a few experiments to set optimal parameters. Some lenses depending on each axis position can have variable travel limits.



Current program version has following homing procedure implemented:

- Move motor by a fixed number of steps (lens may hit mechanical stop)
- Move opposite direction until the switch is actuated
- Move back by a fixed number of steps
- Set current position as 0

Program configuration is saved to `settings.json`. It's a read/write file with the purpose to provide default settings for some parameters like motion speed, jog steps, last used COM port, etc. and save settings and last position when program is closed.

Internal stepper motor driver has 16-bit position counter, absolute positioning is possible within a range of 0..65535 steps, (for 200 steps per revolution motor equals 20 full turns). In relative movement, if motion exceeds 16bit counter range it will overflow and continue the motion. The single move command is also 16 bits.

## Command line

Command-line programs provide quick clean coding templates, examples to understand G-code usage. Programs explain how to:

- Read version string
- Initialize and perform relative movements
- Perform lens homing
- Change motion speed
- Perform an emergency stop
- And more

For the full list see the examples directory

## Terminal

Control commands also can be sent directly from a terminal program of your choice. Baudrate for virtual COM port is irrelevant and communication speed over Full-speed USB 2.0 is 12 Mbit/s.

- Each command must be terminated by a newline
- Each command returns status code or requested information

# Drivers

## Drivers

Stock firmware registers as "STM32 Virtual COM". Most modern operating systems should work out of the box, but original drivers can be downloaded from [STMicroelectronics web page](#)



In some Windows cases Prolific USB to serial controller drivers can claim detected COM port, in this case uninstall driver and install downloaded from ST web page.

## Dedicated boards

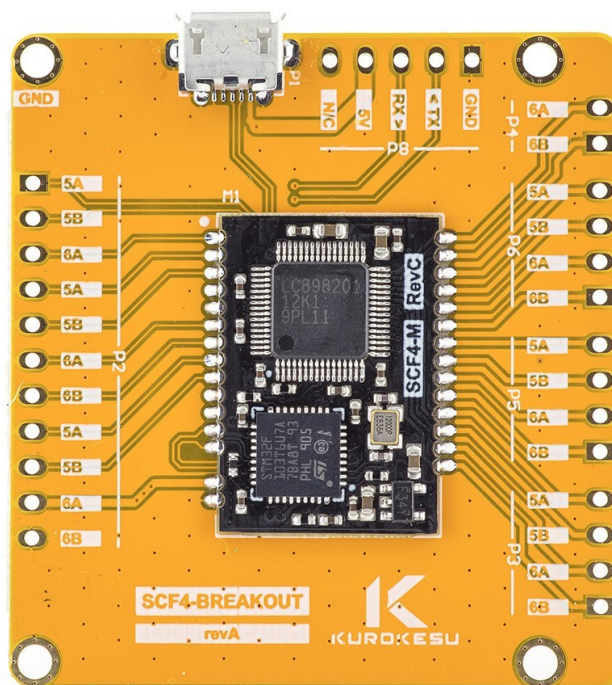
Kurokesu SCF4 multi-axis stepper motor controller System On Module (SOM) targets applications where time to market, reliability and small footprint is important. Main control MCU is ST Cortex STM32F103 powerful enough either to run standard or run dedicated standalone firmware. The motor front end is based on ON Semiconductor new and highly specialized driver [LC898201](#).

Besides SCF4-M module, some basic boards are offered

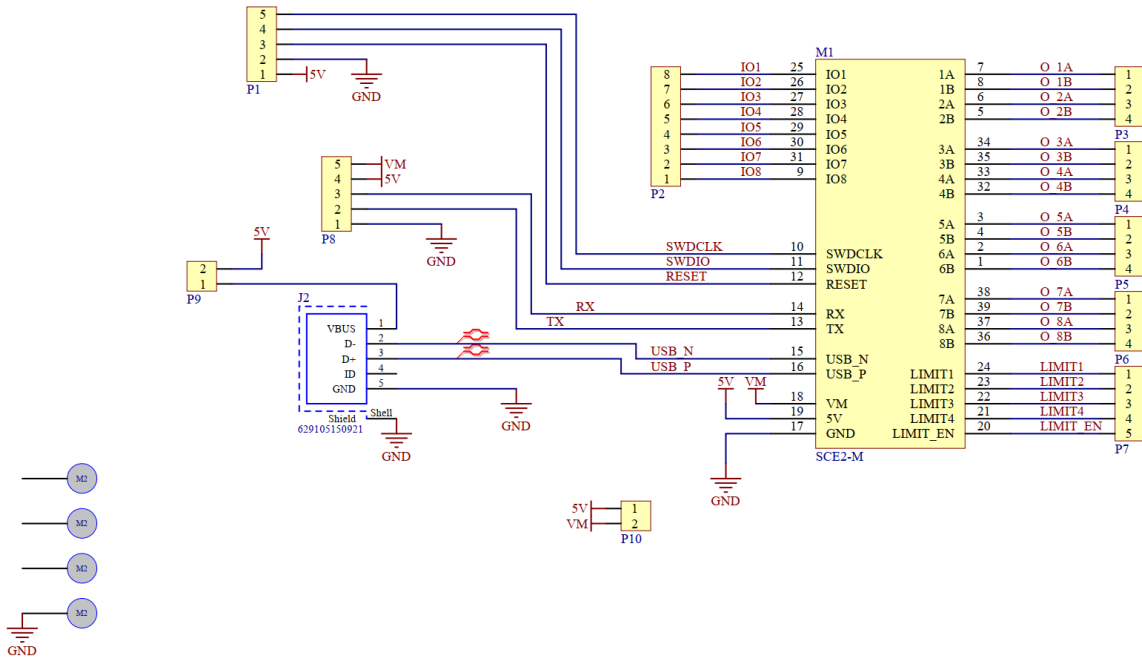
SCF4-BREAKOUT breakout demo board

**SCF4 BREAKOUT** board allows quick evaluation, testing and prototyping.

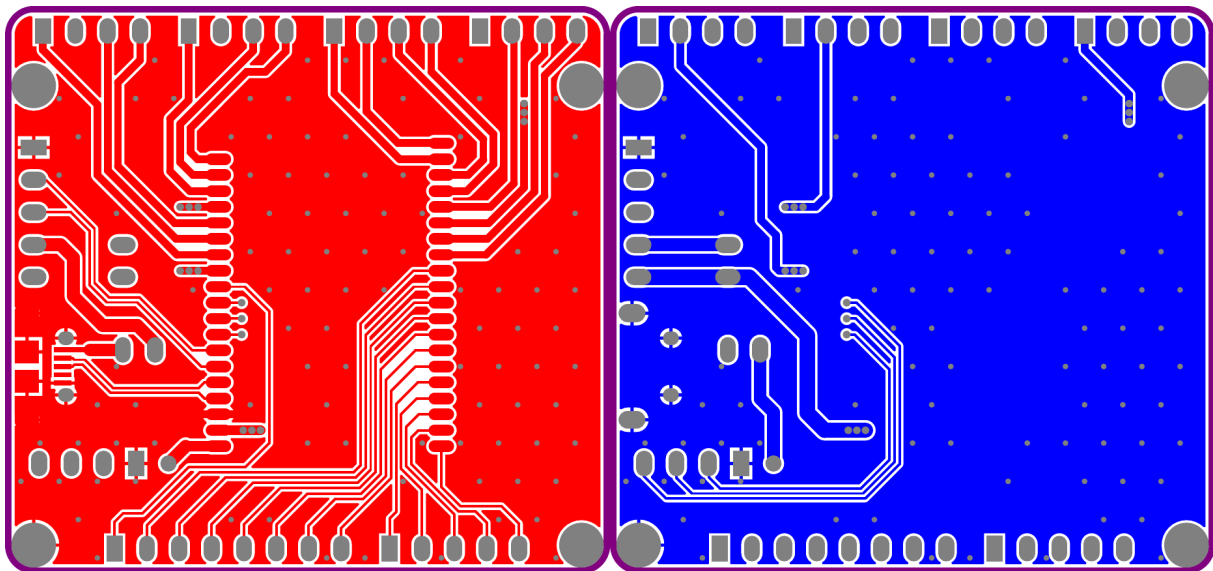
General view



## Schematics



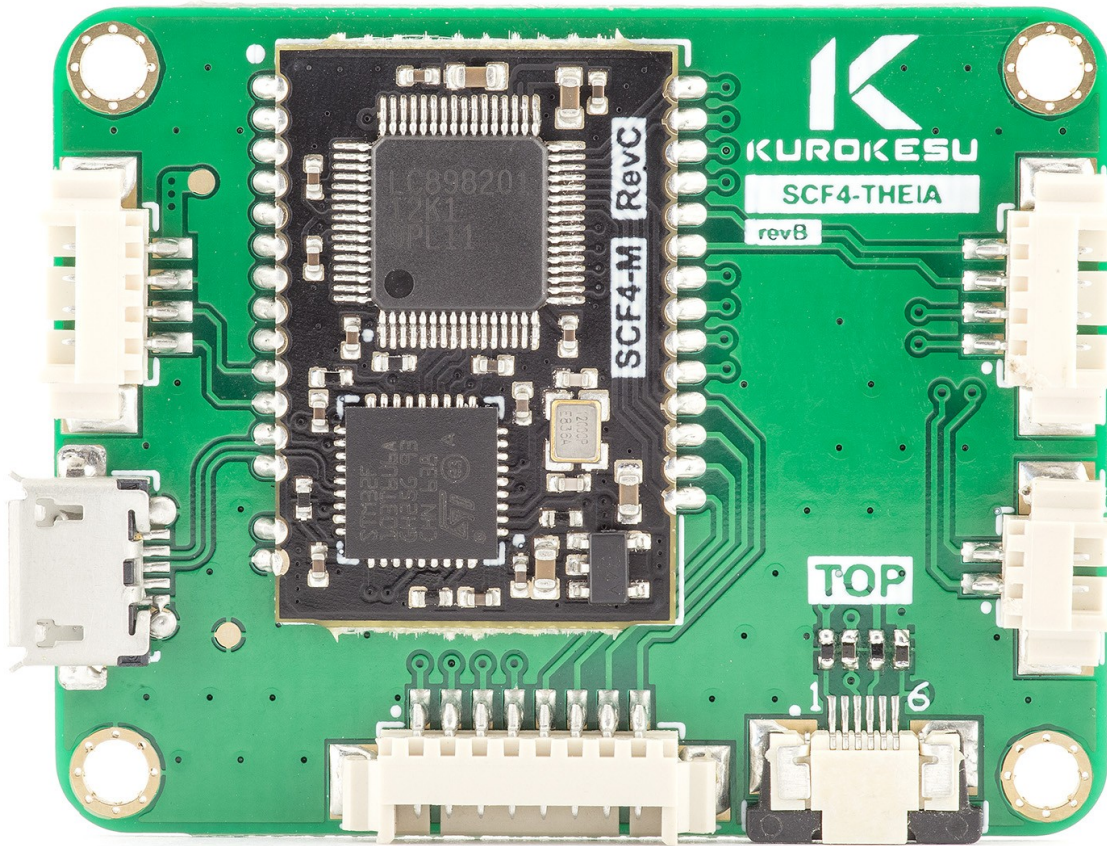
## PCB Layers



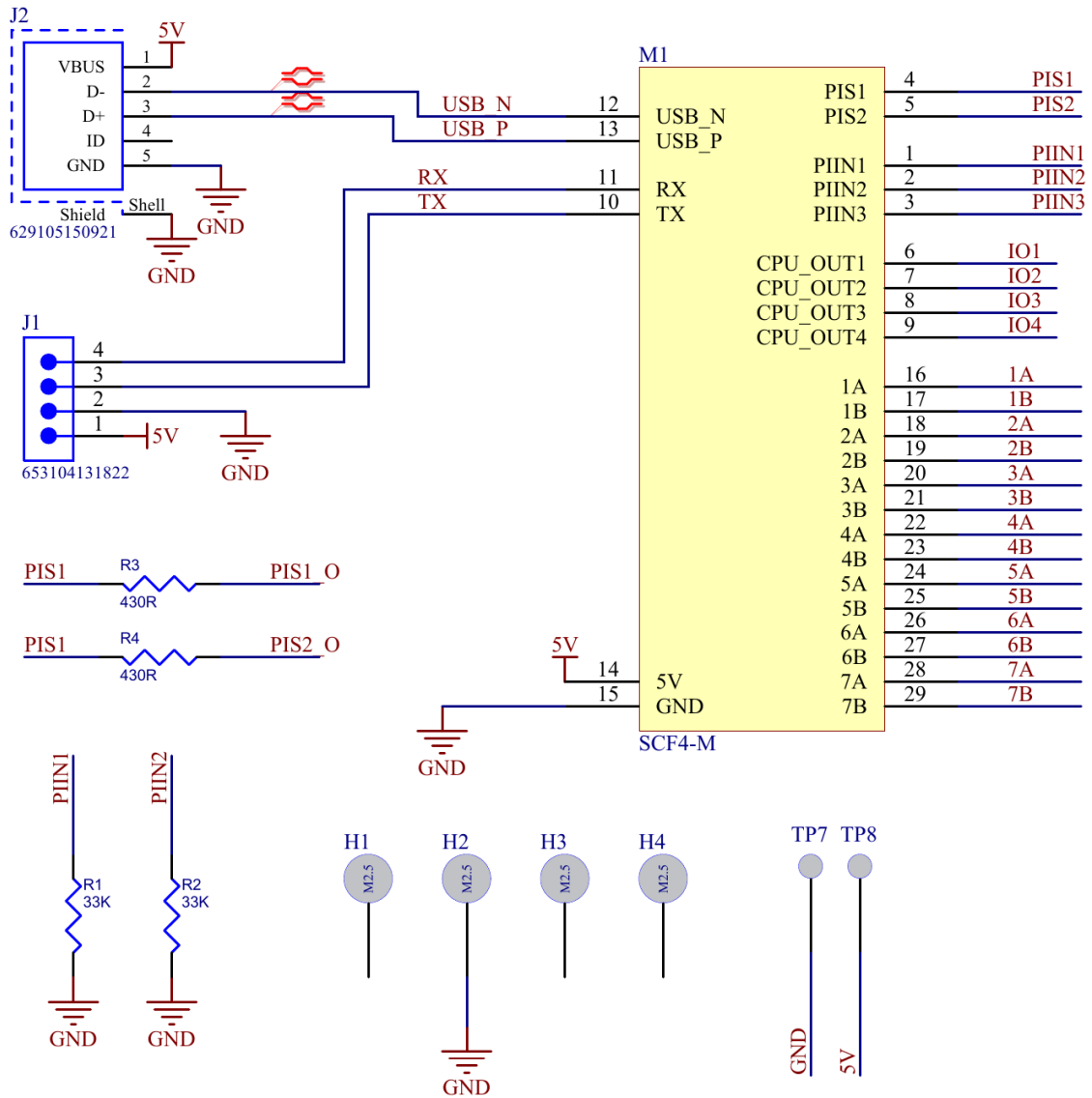
### SCF4-THEIA lens controller board

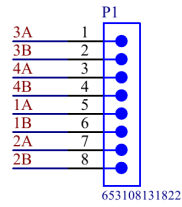
**SCF4-THEIA** board is designed for THEIA motorized zoom lenses: TL410P R6 and TL1250P R6

## General view

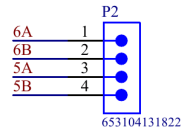


# Schematics

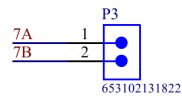




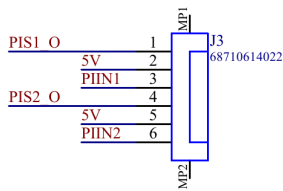
Pin	Color	Function	Motor
1	Brown	A+	Focus
2	Red	A-	Focus
3	Gray	B+	Focus
4	Yellow	B-	Focus
5	Brown	A+	Zoom
6	Red	A-	Zoom
7	Gray	B+	Zoom
8	Yellow	B-	Zoom



Pin	Color	Function
1	Brown	B+
2	Red	B-
3	Yellow	A+
4	Orange	A-



Mode	Pin 1	Pin 2
Day (IR filter)	L	H
Night (clear filter)	H	L
Wire color	Red	Black

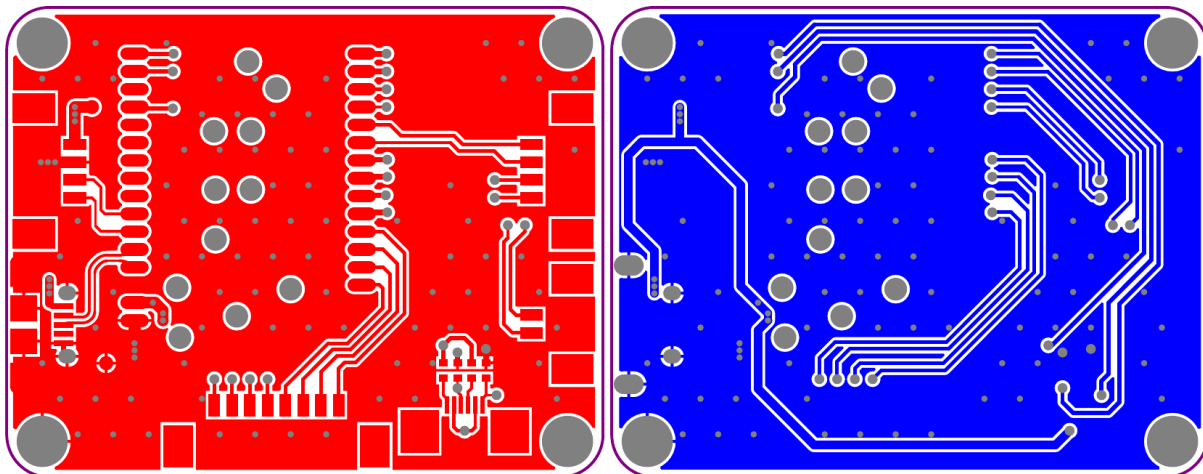


Pin*	Function	Motor
1	Cathode	Zoom
2	Anode/Collector	Zoom
3	Emitter	Zoom
4	Cathode	Focus
5	Anode/Collector	Focus
6	Emitter	Focus



\*cable side pin designation matches Molex 52746-0697 connector

### PCB layers





# Precautions and disclaimers

## General disclaimer

- ALL PRODUCTS, PRODUCT SPECIFICATIONS, AND DATA ARE SUBJECT TO CHANGE WITHOUT NOTICE TO IMPROVE RELIABILITY, FUNCTION OR DESIGN OR OTHERWISE
- Kurokesu UAB, its affiliates, agents, and employees, and all persons acting on its or their behalf (collectively, "Kurokesu"), disclaim any and all liability for any errors, inaccuracies or incompleteness contained in any datasheet or any other disclosure relating to any product.
- The Information given herein is believed to be accurate and reliable. However, users should independently evaluate the suitability of and test each product selected for their applications
- See Kurokesu standard terms and conditions for warranty and other information

## Precautions

- Do not short circuit any part of the module
- Do not exceed nominal input
- Do not overload outputs
- Keep the module dry
- Observe the electrostatic discharge (ESD) precautions when handling the product. Damage caused by non-observance of the above instructions is not covered by the warranty
- Power electronics equipped with thermal shutdown circuitry, but if controller becomes too hot disconnect it
- Module is designed exclusively for installation into a device or housing to prevent external influences such as humidity/water or dirt
- Add active and/or passive power filtering circuitry in an electromagnetically noisy environment if a module becomes unstable
- Add active and/or passive power filtering circuitry if module exceeds allowed EMC emissions



# Revisions

## Documentation revision history

Version	Date	Changes
0.1	2019-07-01	Initial documentation created
1.0	2019-07-22	Internal release
1.1	2019-07-22	Disclaimers and precautions added, more complete command description added
1.2	2019-07-23	Minor corrections and mistypes, document public release
1.3	2020-07-27	Migrated to online documentation. Lens section moved to separate document.
1.4	2020-08-09	Added documentation parts affected by EVB.1.1.0 new firmware features, fixed a few typos, minor updates
1.5	2020-08-15	Added I2C documentation
1.6	2021-02-07	Updated some pictures, added more demonstration board details

## Firmware revision history

Version	Date	Changes
0.6.52	2019-07-01	<ul style="list-style-type: none"> <li>Initial public release version</li> </ul>
EVB.1.0.0	2019-07-14	<ul style="list-style-type: none"> <li>Bump to 1.0.0 release</li> <li>Consolidated version reporting into single string</li> <li>Code cleanup</li> </ul>
EVB.1.0.1	2019-07-14	<ul style="list-style-type: none"> <li>Minor bug fixes</li> </ul>
EVB.1.0.2	2019-07-18	<ul style="list-style-type: none"> <li>Added new advanced commands: M241..M244</li> <li>Fixed: set motor idle power to 0 is not allowed</li> <li>Fixed: default relative movement mode after reset</li> </ul>
EVB.1.1.0	2020-05-30	<ul style="list-style-type: none"> <li>Added USART support over 4 pin connector besides original USB-CDC mode</li> </ul>
EVB.1.2.0	2020-08-15	<ul style="list-style-type: none"> <li>Added I2C support (forked from EVB.1.1.0)</li> </ul>
EVB.1.3.0	2020-08-09	<ul style="list-style-type: none"> <li>Added power input voltage ADC readout command</li> <li>Added AUX output on/off control commands</li> </ul>

