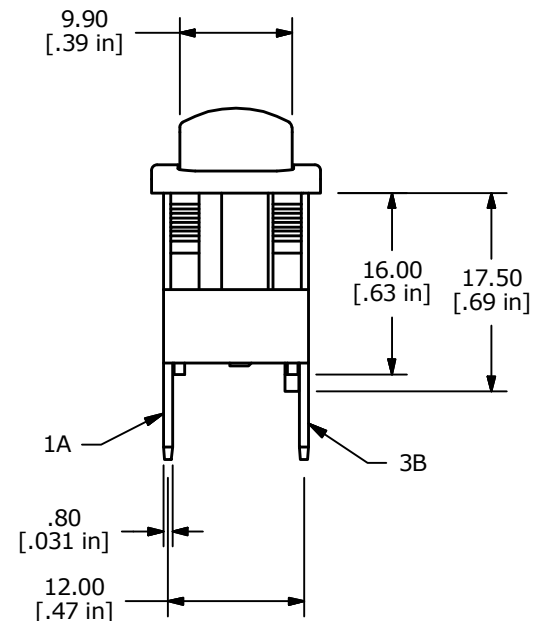
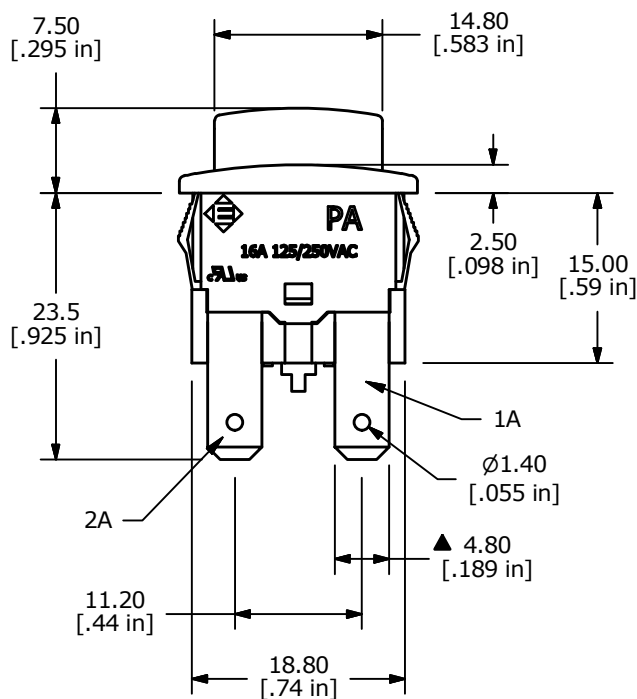
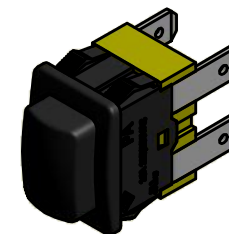
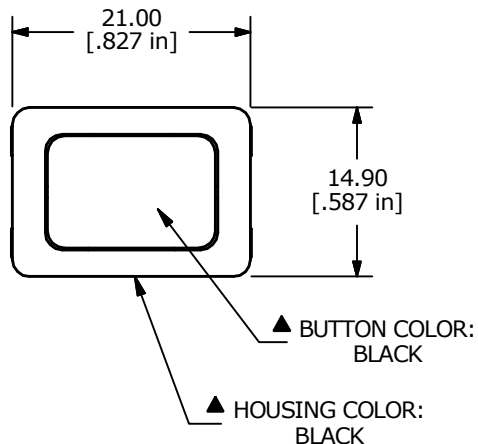
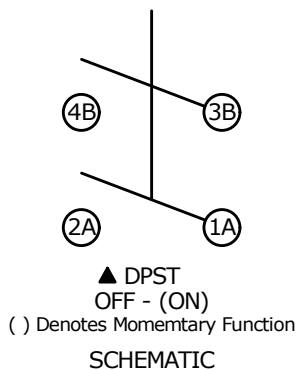


| PANEL THICKNESS | X    |
|-----------------|------|
| 0.75-1.25       | 19.2 |
| 1.25-2.00       | 19.4 |
| 2.00-3.00       | 19.8 |

RECOMMENDED  
PANEL CUT-OUT



NOTES:

1. ALL DIMENSIONS IN MM [INCH]
2. GENERAL TOLERANCE: X.X = ± 0.4  
X.XX = ± 0.25
3. ELECTRICAL LIFE: 6,000 [cURus]  
10,000 [VDE]
4. CONTACT RESISTANCE: 20 mΩ MAX. INITIAL
5. INSULATION RESISTANCE: 100 MΩ AT 500VDC
6. OPERATING TEMPERATURE: -20°C to +65°C [cURus]  
-20°C to +125°C [VDE]
7. CONTACT RATING: 16A, 125VAC-250VAC, [cURus]  
16(4)A, 250VAC, T125/55, [VDE]
8. DIELECTRIC STRENGTH: 1000V FOR 1 MINUTE
9. TERMINALS TO BE SILVER PLATED
11. ▲ DENOTES CRITICAL PARAMETER
12. 2011/65/EU (RoHS) COMPLIANT.



| REV | PCR NO | DESCRIPTION                   | DATE     | BY |
|-----|--------|-------------------------------|----------|----|
| C   | 22654  | change OFF - ON to OFF - (ON) | 12/29/16 | MW |
| B   | 21539  | Change Housing Locking Tab    | 8/4/14   | rc |

|                  |               |       |                   |       |
|------------------|---------------|-------|-------------------|-------|
| TITLE PA41EC1100 |               |       |                   |       |
| SCALE 3:2        | DATE 8/4/2014 | DR rc | DWG 14-PA41EC1100 | REV C |

THE INFORMATION CONTAINED IN THIS DOCUMENT IS PROPRIETARY TO E-SWITCH AND IS NOT TO BE COPIED OR TRANSFERRED