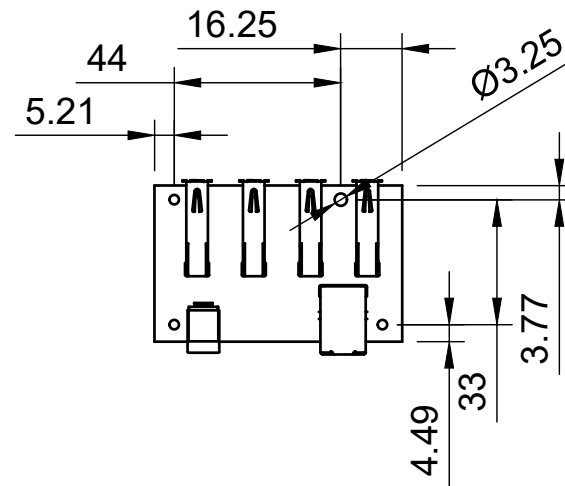
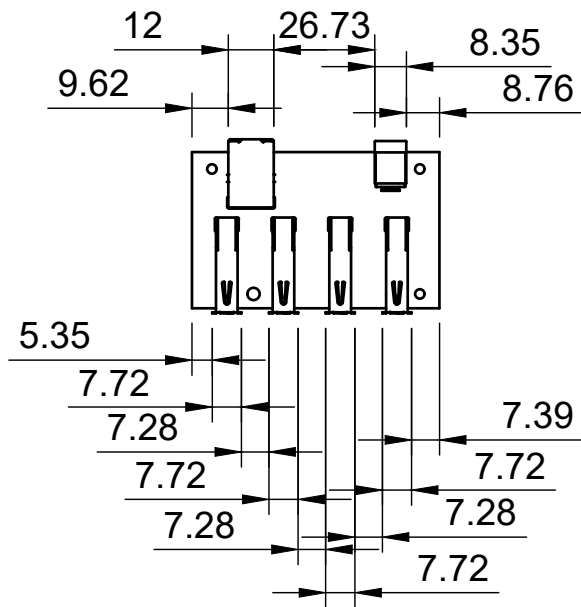
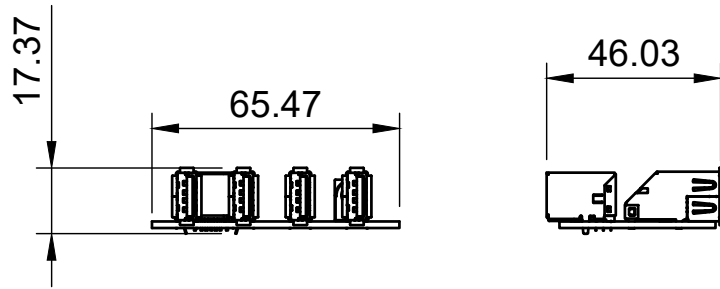



Basic Measurements
 Port Detailed
 Mounting Holes



		Model #:	
		CG-3510S4-Board	
Drawn by: Leo Pinto	Scale: 1:2	Units: mm	
Drawn Date: 6/21/2021	Tolerance: +/- 0.15mm		
Notes:	Contact: support@coolgear.com		
	Web: coolgear.com		
	A4	1/1	