

AiMC-3201

Micro Computer, Intel® Core™ i7/i5/i3 CPU, H81, 2 Expansions, 250W 80Plus PSU



Features

- Intel® H81 Platform
 - Intel® 4th gen Core™ i7/i5/i3 CPU (LGA1150)
 - One PCIe x16 & one PCIe x4* Expansion Slots
- Compact, well-thought-out design
 - Two internal, shock-resistant, 2.5" SATA HDD bays
 - Front accessible I/O: VGA+DVI-D, 2 GbE LAN, 3 USB2.0, 2 COM
 - Easy-to-maintain system fan and reusable filter
 - Alert to chassis intrusion
- Energy Savings
 - 250W 80Plus PSU

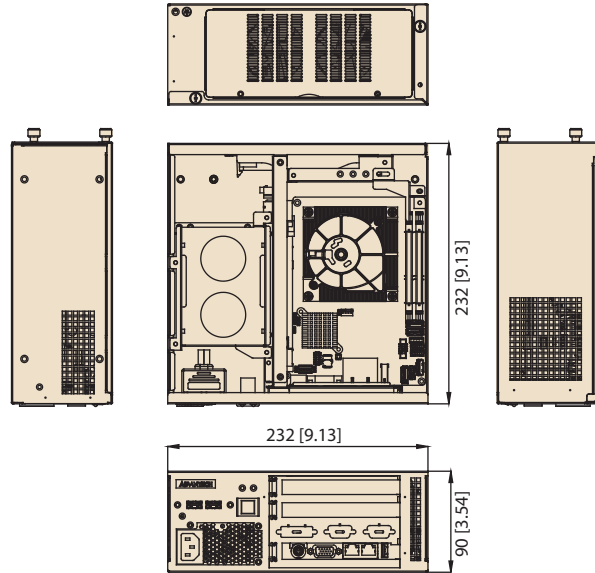
* PCI interface for AiMC-3201-01 model

Specifications

Processor System 1.5U CPU Cooler 1 Expansion slot 0 ~ 40° C	CPU	i7-4790S	i5-4590S	i3-4360					
	Core	4/8	4/4	4/4					
	Base Frequency	3.2 GHz	3.0 GHz	3.7 GHz					
	L3 Cache	8 MB	6 MB	4 MB					
	Chipset	H81							
BIOS	AMI 128Mb SPI Flash								
Processor System 1U CPU Cooler 2 Expansion slots 0 ~ 45° C	CPU	i7-4770TE	i5-4590T	i3-4350T	i3-4340TE	G3420	G3420TE	G1820	G1820TE
	Core	4/8	4/4	2/4	2/4	2/2	2/2	2/2	2/2
	Base Frequency	2.3 GHz	2.0 GHz	3.1 GHz	2.6 GHz	3.2 GHz	2.3 GHz	2.7 GHz	2.2 GHz
	L3 Cache	8 MB	6 MB	4 MB	4 MB	3 MB	3 MB	2 MB	2 MB
	Chipset	H81							
BIOS	AMI 128Mb SPI Flash								
Memory	Technology	Dual Channel DDR3 1066/1333/1600 MHz (Non ECC)							
	Max. Capacity	16 GB (8 GB per DIMM)							
	Socket	204-pin SO-DIMM x 2							
Graphics	Chipset Integrated	Integrated Intel HD Graphics							
Expansion slot (AiMC-3201-00)	PCI Express x16	1 (Lower-layer slot); Full-Height: 107 mm / Length: Max. 180 mm; Support 1U CPU cooler only							
	PCI Express x4	1 (Upper-layer slot); Full-Height: 107 mm / Length: Max. 180 mm							
Expansion slot (AiMC-3201-01)	PCI Express x16	1 (Lower-layer slot); Full-Height: 107 mm / Length: Max. 180 mm; Support 1U CPU cooler only							
	PCI	1 (Upper-layer slot); Full-Height: 107 mm / Length: Max. 180 mm							
Ethernet	Interface	10/100/1000 Mbps							
	Controller	LAN1: Intel I217V, LAN2: Intel I211AT							
SATA	Max Data Transfer Rate	600 MB/s (SATA 3.0)							
	HDD Bay	2 internal 2.5" (Both: max. 15 mm height)							
I/O Interface	Display	VGA+DVI-D (1920 x 1200 pixel @ 60Hz)							
	USB	4 USB2.0 (3 in front, 1 internal type-A for software key)							
	Serial	2 RS-232							
	PS/2	1							
	Watchdog Timer	Output	System reset						
	Interval	Programmable 1 ~ 255 sec/min							
Power Supply	Output Rating	AC 250W, ATX							
	Input Voltage	100 V _{AC} ~ 240 V _{AC}							
Cooling	System Fan	2 (6cm / 27.7 CFM)							
	Air Filter	Yes							
Miscellaneous	Chassis intrusion alert	Yes							
	LED Indicators	Power, HDD, temperature							
	Control	Power on/off switch							
Environment	Temperature	Operating 0 ~ 40° C (32 ~ 104° F)				Non-operating -20 ~ 60° C (-4 ~ 140° F)			
	Humidity	10 ~ 85% @ 40° C, non-condensing							
	Vibration	1Grms, random, 5~500Hz, 3 axes, 1 hr/axis				2Grms, sine wave, 5~500Hz, 3 axes, 1 hr/axis			
	Shock	10G, half sine wave, 11 ms duration							
	EMC	CE/FCC, CCC, BSMI							
	Safety	UL/CB, CCC, BSMI							
Physical Characteristics	Dimension (W x H x D)	232 x 90 x 232 mm							
	Weight	4.5 kg							

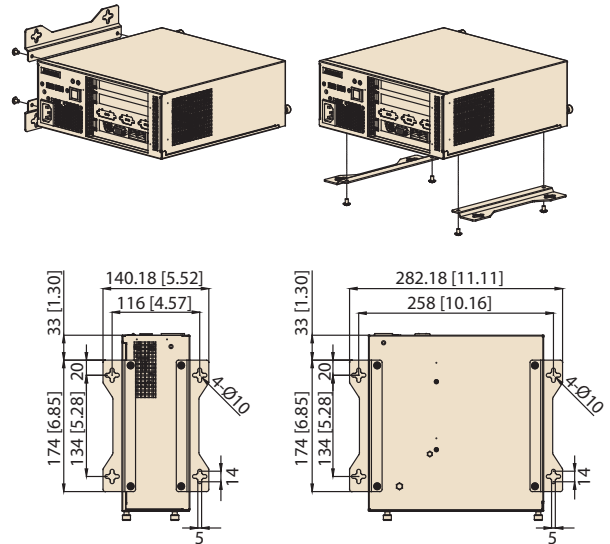
Dimensions

Unit: mm [inch]

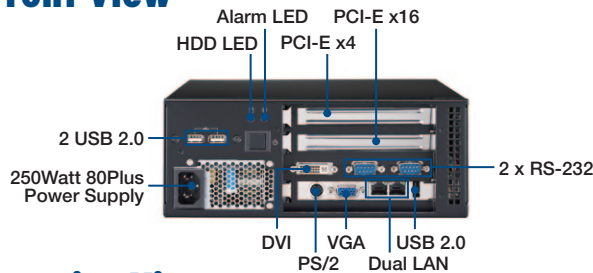


Installation

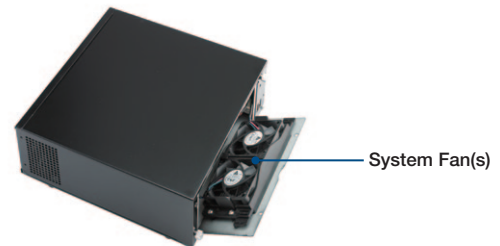
Unit: mm [inch]



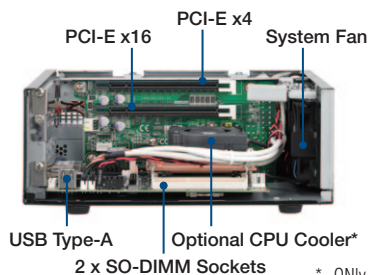
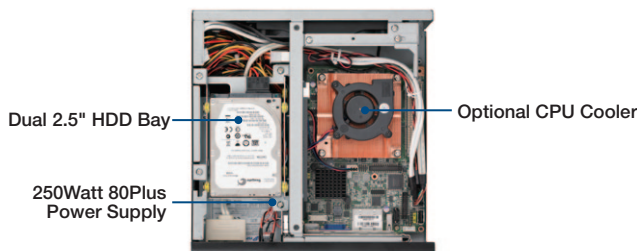
Front View



Rear Cover for Replacing Fans



Interior View



* Only 1 PCIe slot is available when using 1.5U CPU Cooler

Ordering Information

Part Number	Description
AIMC-3201-00A1E	Micro Computer, Intel Core i7/i5/i3 CPU, H81, 2 Expansions, 250W 80Plus PSU
AIMC-3201-01A1E	Micro Computer, Intel Core i7/i5/i3 CPU, H81, 2 Expansions (PCI/PCle), 250W 80Plus PSU

Packing List

Items	Part Number	Quantity
AIMC-3201	Bare System AIMC-3201-0XA1E	1
Driver CD	2066302800	1
Four-port USB Cable	1700014398-11	1
LPT Cable	1700002223	1
Mounting Brackets	1960014487T00C	2
Rubber Foot	1990012452S000	4

Optional Accessories

Part Number	Description
1960053207N001	1.5U Cooler for All CPUs; Support 1 Expansion slot
1960053065N001	1U Cooler for CPU iX-XXXXTX and GXXXXXX; Support 2 Expansion slots
PCIE-1674PC-AE	4-port PCI express GbE PoE card
PCIE-1672PC-AE	2-port PCI express GbE PoE card
PCA-COM485-00A1E	4-port RS-485/422 Module by LPC
PCA-COM232-00A1E	4-port RS-232 Module by LPC
PCA-AUDIO-HDA1E	Audio extension module with HD audio interface
PCA-TPM-00A1E	Trusted platform module compliant with TCG 1.2

Note: Purchasing proprietary CPU cooler from Advantech is a must. Other brands' CPU coolers are NOT compatible.