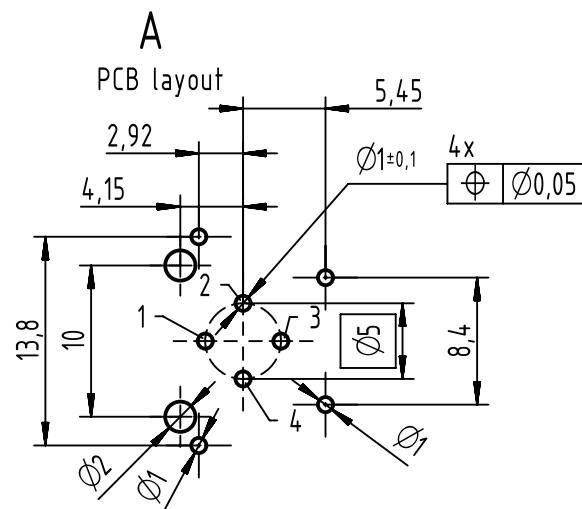
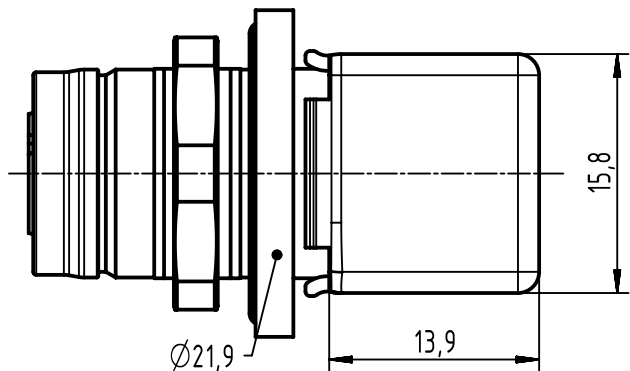
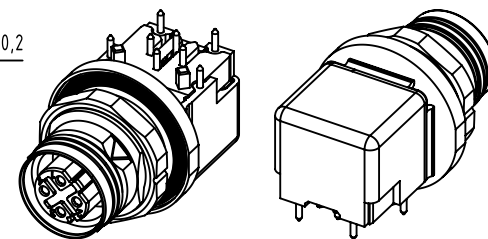
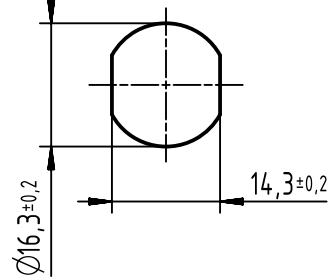


cable direction of angled connectors




panel cut out

(1:1)



1 recommended PCB-thickness: 1.6mm

	All Dimensions in mm Original Size DIN A4		Scale 2:1	Free size tol.		Ref.	
	All rights reserved Department EL PD		Created by 104122	Inspected by WELLMANN	Standardisation HOFFMANN	Date 2019-10-02	State Final Release
HARTING Electronics GmbH D-32339 Espelkamp		Title HARTING M12 PCB female D-coded angled IP67				Doc-Key / ECM-Nr. 100665631/UGD/002/F 500000157279	
		Type TB	Number 21033814436			Rev. F	Page 1/1