

- NOTES:
- MATERIALS:
HOUSING: LIQUID CRYSTAL POLYMER (LCP), UL94V-0, BLACK
TERMINALS: COPPER ALLOY
 - FINISH:
CONTACT AREA: 30μ INCH MINIMUM GOLD OVER NICKEL
COMPLIANT AREA: TIN (LEAD-FREE) OVER NICKEL
 - PRODUCT SPECIFICATION: PS-172374-999
 - PACKAGING SPECIFICATION: PK-172700-9001
 - MATES WITH BP SERIES 76845.
 - APPLICATION SPECIFICATION: AS-76060-9997
 - COSMETIC SPECIFICATION" PS-45499-002.
 - ROUTING GUIDE AS-172374-0001
 - MARKINGS: LOCATED APPROXIMATELY AS SHOWN
PART NUMBER & DATE CODE
 - ALIGNMENT RIBS USED FOR GUIDANCE INTO THE MATING HEADER
AND THE LOCATIONS WILL CHANGE WITH NUMBER OF COLUMNS.
 - WHEN USING MOLEX SUPPLIED #2-32 SCREW 73726-0000 (9.50MM±0.38
THREADABLE SCREW LENGTH), THE MAXIMUM BOARD THICKNESS IS 4.4MM.

8 COLUMN CONNECTOR SHOWN
FOR REFERENCE ONLY

THIS DRAWING CONTAINS INFORMATION THAT IS PROPRIETARY TO MOLEX ELECTRONIC TECHNOLOGIES, LLC AND SHOULD NOT BE USED WITHOUT WRITTEN PERMISSION										
DIMENSION UNITS	SCALE	CURRENT REV DESC: ADDED XRAY SERIES MARKING IN SHEET 1 @ E7 AND UPDATED MISSING DIMENSION IN SHEET 4 @ C3,C8				molex				
mm	NTS									
GENERAL TOLERANCES (UNLESS SPECIFIED)		EC NO: 667795				IMPACT ZX2 4 PAIR ORTHO DAUGHTERCARD RIGHT GUIDE SIGNAL MODULE SALES DRAWING				
ANGULAR TOL ± 0.5°		4 PLACES ±		DRWN: YOGEEB 2021/05/26		PRODUCT CUSTOMER DRAWING				
		3 PLACES ±		CHK'D: SHONG 2021/06/28		DOCUMENT NUMBER				
		2 PLACES ± 0.13		APPR: SHONG 2021/06/28		SD-172700-0003		DOC TYPE	DOC PART	REVISION
		1 PLACE ± 0.25		INITIAL REVISION:						
		0 PLACES ±		DRWN: JLONG 2016/09/15						
				APPR: TELO 2017/01/20						
DRAFT WHERE APPLICABLE MUST REMAIN WITHIN DIMENSIONS		THIRD ANGLE PROJECTION	DRAWING	SERIES	MATERIAL NUMBER	CUSTOMER	SHEET NUMBER			
			B-SIZE	172700	SEE TABLE	GENERAL MARKET	1 OF 4			

PART NUMBER	# OF COLUMNS	# OF DIFF PAIRS	DIM A MAX	DIM B	PTH ϕ
172700-5038	8	32	24.30	14.18	0.36±0.05

PART NUMBER LOGIC

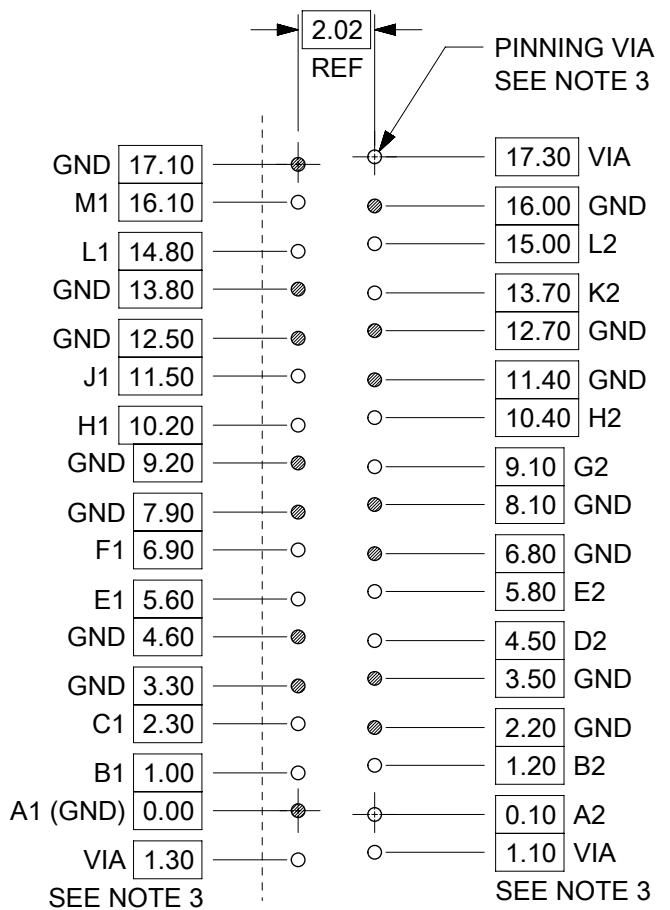
172700- * 0 * *

MODULE TYPE:
5 = GUIDED RIGHT

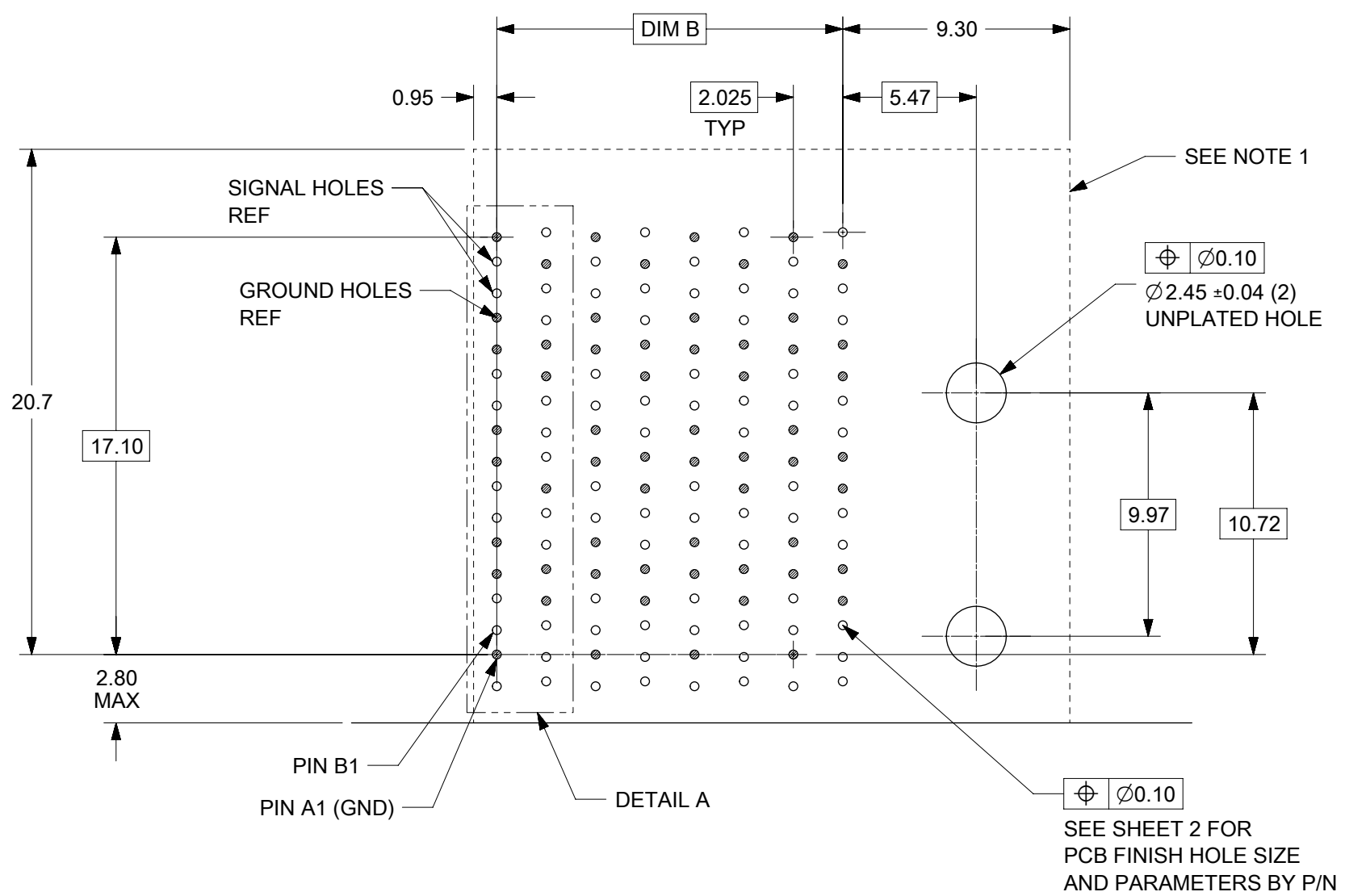
OF COLUMNS:
38 = 8 COLUMN, 0.36 PTH

THIS DRAWING CONTAINS INFORMATION THAT IS PROPRIETARY TO MOLEX ELECTRONIC TECHNOLOGIES, LLC AND SHOULD NOT BE USED WITHOUT WRITTEN PERMISSION

DIMENSION UNITS mm	SCALE NTS	CURRENT REV DESC: ADDED XRAY SERIES MARKING IN SHEET 1 @ E7 AND UPDATED MISSING DIMENSION IN SHEET 4 @ C3,C8	molex		
GENERAL TOLERANCES (UNLESS SPECIFIED)		EC NO: 667795 DRWN: YOGEEB CHK'D: SHONG APPR: SHONG			
ANGULAR TOL \pm 0.5°	4 PLACES \pm	2021/05/26	PRODUCT CUSTOMER DRAWING		
3 PLACES \pm	2 PLACES \pm 0.13	2021/06/28	DOCUMENT NUMBER		
1 PLACE \pm 0.25	0 PLACES \pm	2021/06/28	SD-172700-0003		
DRAFT WHERE APPLICABLE MUST REMAIN WITHIN DIMENSIONS	THIRD ANGLE PROJECTION 	INITIAL REVISION: DRWN: JLONG APPR: TELO	2016/09/15 2017/01/20	DOC TYPE PSD	DOC PART 000
	DRAWING B-SIZE	SERIES 172700	MATERIAL NUMBER SEE TABLE	CUSTOMER GENERAL MARKET	REVISION B3
					SHEET NUMBER 2 OF 4



DETAIL A
SCALE 5:1

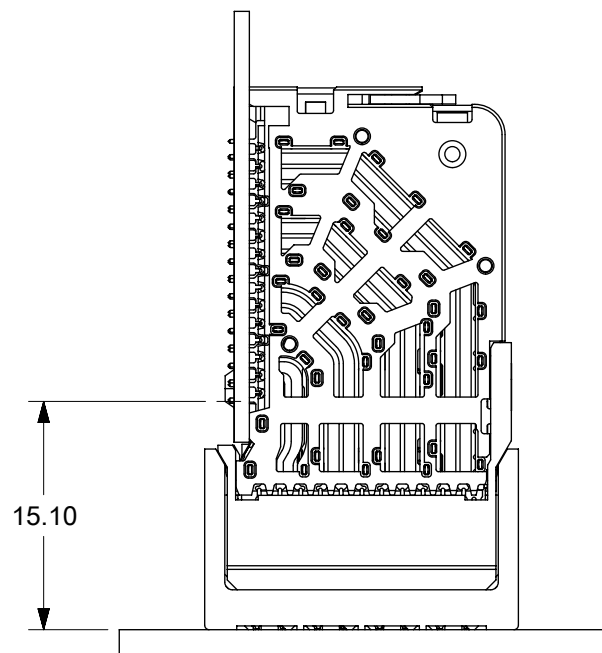
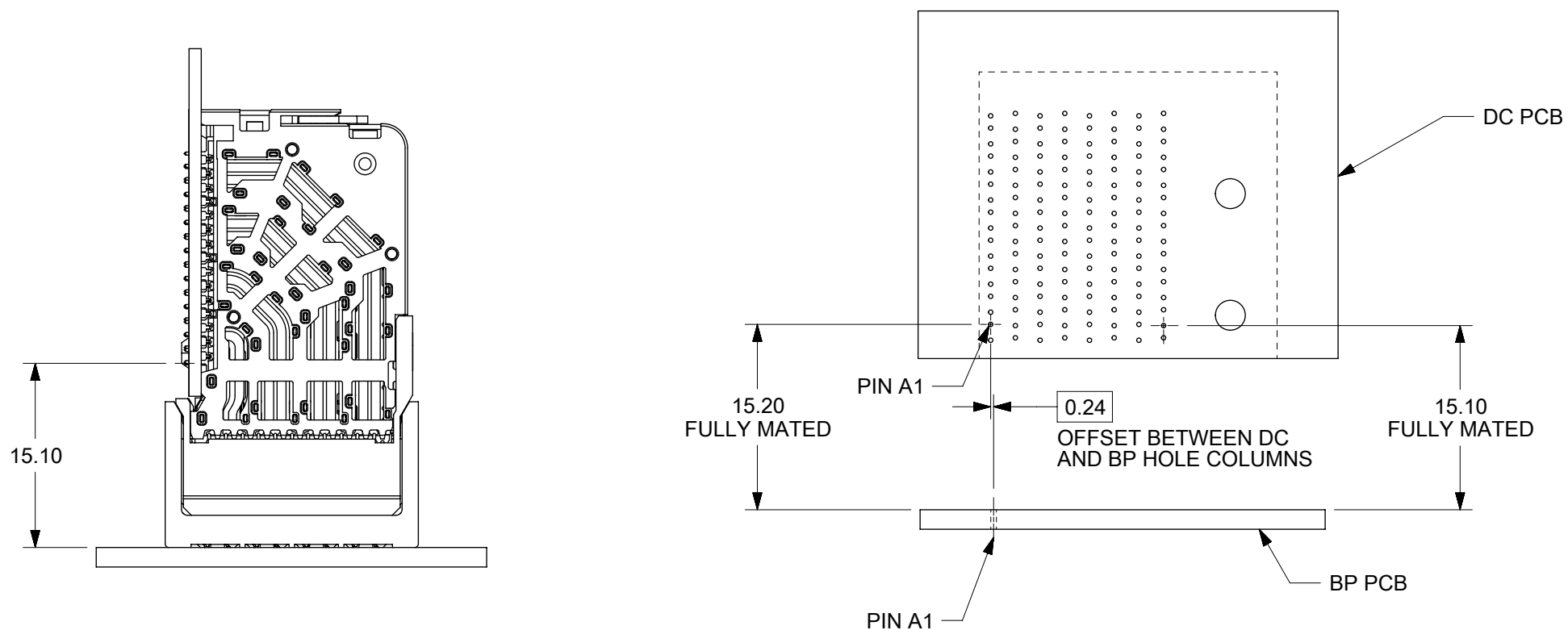


DAUGHTERCARD HOLE PATTERN (CONNECTOR SIDE)

- NOTES:
1. THESE DIMENSIONS REPRESENT THE AREA NEEDED TO ACCOMMODATE CONNECTOR INSERTION AND REPAIR ON THE PCB. THIS IS REFERRED TO AS THE "CONNECTOR KEEP OUT ZONE" AND DOES NOT REPRESENT THE ACTUAL PERIMETER OF THE CONNECTOR.
 2. MINIMUM PCB THICKNESS: 1.0 MM
 3. PINNING VIAS ONLY - NOT FOR CONNECTOR TAILS.

THIS DRAWING CONTAINS INFORMATION THAT IS PROPRIETARY TO MOLEX ELECTRONIC TECHNOLOGIES, LLC AND SHOULD NOT BE USED WITHOUT WRITTEN PERMISSION										
DIMENSION UNITS	SCALE	CURRENT REV DESC: ADDED XRAY SERIES MARKING IN SHEET 1 @ E7 AND UPDATED MISSING DIMENSION IN SHEET 4 @ C3,C8								
mm	NTS									
GENERAL TOLERANCES (UNLESS SPECIFIED)		EC NO: 667795			IMPACT ZX2 4 PAIR ORTHO DAUGHTERCARD RIGHT GUIDE SIGNAL MODULE SALES DRAWING					
ANGULAR TOL ± 0.5°		DRWN: YOGEEB 2021/05/26			PRODUCT CUSTOMER DRAWING					
4 PLACES ±		CHK'D: SHONG 2021/06/28			DOCUMENT NUMBER					
3 PLACES ±		APPR: SHONG 2021/06/28			SD-172700-0003			DOC TYPE	DOC PART	REVISION
2 PLACES ± 0.13		INITIAL REVISION:			PSD 000 B3					
1 PLACE ± 0.25		DRWN: JLONG 2016/09/15			MATERIAL NUMBER					
0 PLACES ±		APPR: TELO 2017/01/20			CUSTOMER					
DRAFT WHERE APPLICABLE MUST REMAIN WITHIN DIMENSIONS		THIRD ANGLE PROJECTION	DRAWING	SERIES	SEE TABLE		GENERAL MARKET		SHEET NUMBER	
			B-SIZE	172700					3 OF 4	

IMPACT ZX2 4 PAIR BOARD RELATIONSHIP (DATAPLANE BP 76845 SHOWN)



NOTES:
1. SEE DESIGN GUIDE FOR ADDITIONAL MATING COMBINATIONS.

THIS DRAWING CONTAINS INFORMATION THAT IS PROPRIETARY TO MOLEX ELECTRONIC TECHNOLOGIES, LLC AND SHOULD NOT BE USED WITHOUT WRITTEN PERMISSION												
DIMENSION UNITS	SCALE	CURRENT REV DESC: ADDED XRAY SERIES MARKING IN SHEET 1 @ E7 AND UPDATED MISSING DIMENSION IN SHEET 4 @ C3,C8						molex				
mm	NTS	EC NO: 667795 DRWN: YOGEEB CHK'D: SHONG APPR: SHONG						IMPACT ZX2 4 PAIR ORTHO DAUGHTERCARD RIGHT GUIDE SIGNAL MODULE SALES DRAWING				
GENERAL TOLERANCES (UNLESS SPECIFIED)		INITIAL REVISION: DRWN: JLONG APPR: TELO						PRODUCT CUSTOMER DRAWING				
ANGULAR TOL ± 0.5°		2021/05/26 2021/06/28 2021/06/28						DOCUMENT NUMBER		DOC TYPE	DOC PART	REVISION
4 PLACES ±		2016/09/15 2017/01/20						SD-172700-0003		PSD	000	B3
3 PLACES ±		DRAFT WHERE APPLICABLE MUST REMAIN WITHIN DIMENSIONS						MATERIAL NUMBER		CUSTOMER		SHEET NUMBER
2 PLACES ± 0.13		THIRD ANGLE PROJECTION		DRAWING		SERIES		SEE TABLE	GENERAL MARKET		4 OF 4	
1 PLACE ± 0.25		B-SIZE		172700								
0 PLACES ±												

DOCUMENT STATUS	P1	RELEASE DATE	2021/06/28	21:47:56
-----------------	----	--------------	------------	----------