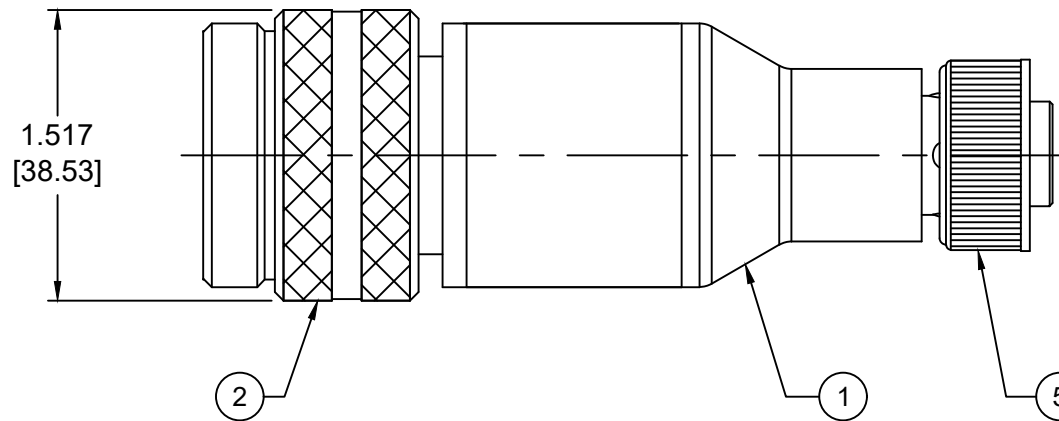
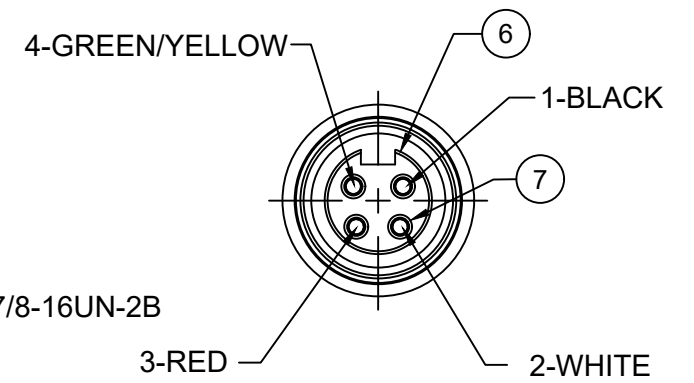
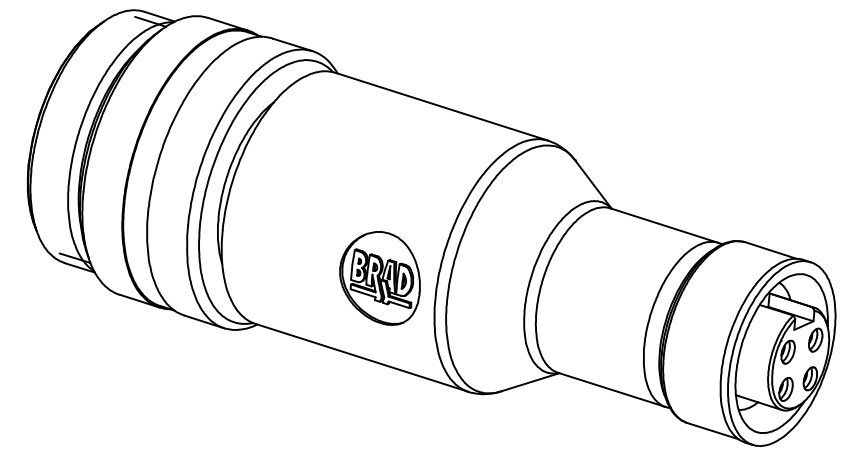
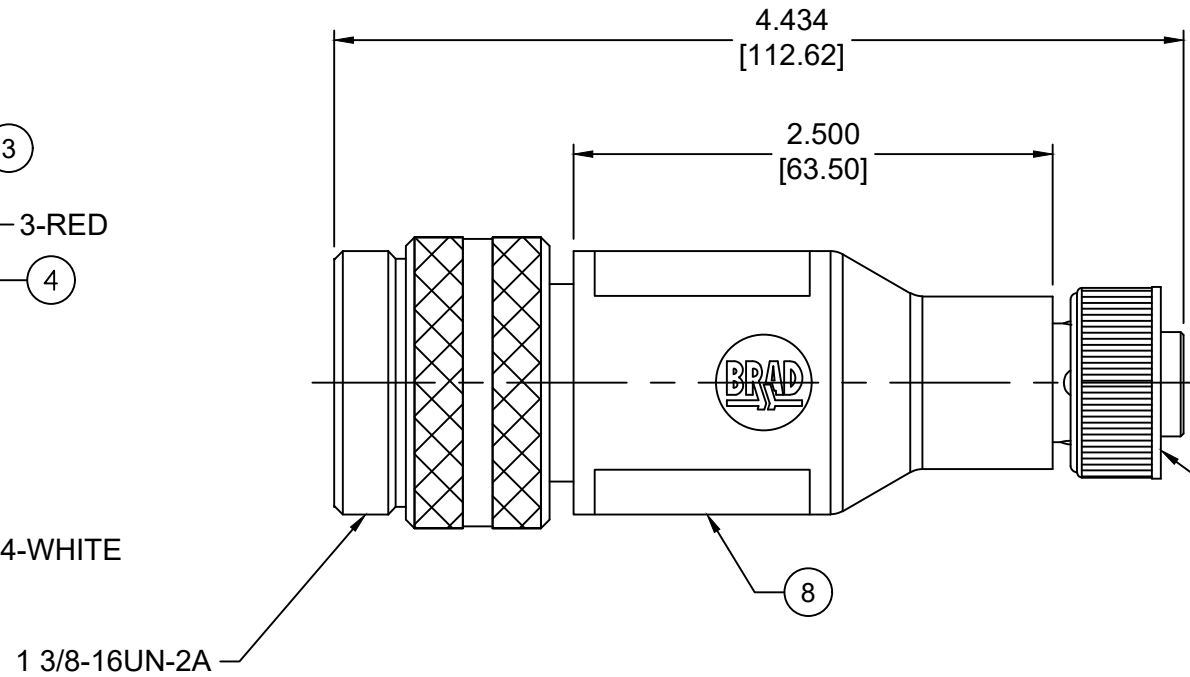
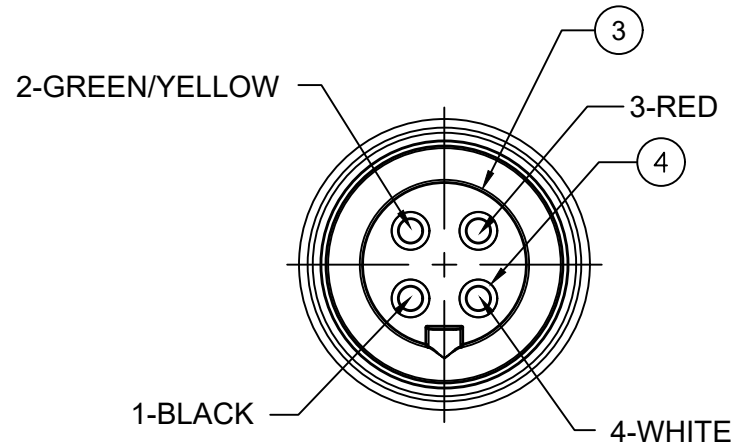


PART NUMBER	ENGINEERING NUMBER
1300680019	1C4030-001

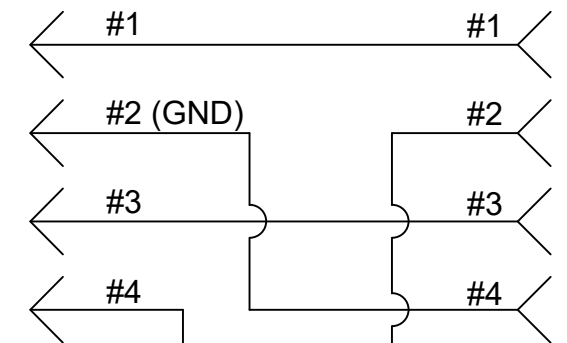
NOTES:

- MATERIAL: SEE TABLE
- FINISHES: SEE TABLE
- ELECTRICAL DATA:
REDUCING ADAPTER QC TO MC
POLES: 4
MAX. VOLTAGE: 600V AC/DC PER UL 2237
483V AC/DC PER IEC 60664 (B)
- MAX.CURRENT: 15A
- TEMPERATURE RANGE: -20°C TO +105°C (B)
- PROTECTION: IP67 (WHEN MATED)
- LABEL IS MARKED WITH P/N, DATE CODE, VOLTAGE & AMPERAGE
- PACKAGING:
ASSEMBLIES ARE BAGGED SEPARATELY IN POLY BAGS WITH BAR CODE LABEL ATTACHED TO THE OUTSIDE OF THE BAG.
- UL LISTED FILE: E258922
- ASSEMBLY IS RoHS COMPLIANT
- DIMENSIONS SHOWN ARE FOR REFERENCE UNLESS TOLERANCED OR NOTED OTHERWISE



QC MALE

MC FEMALE



WIRE DIAGRAM

8	LABEL	PLASTIC FILM	BLACK/YELLOW
7	MC SOCKET CONTACT	COPPER ALLOY	GOLD PLATED
6	MC FEMALE INSERT	TPE	BLACK (B)
5	MC COUPLING NUT	ZINC ALLOY	BLACK E-COAT
4	QC PIN CONTACT	COPPER ALLOY	GOLD PLATED
3	QC MALE INSERT	TPE	BLACK (B)
2	QC COUPLING NUT	ALUMINUM	CLEAR ANODIZE
1	OVERMOLD	TPE	GRAY (B)
ITEM	DESCRIPTION	MATERIAL	FINISH

DOCUMENT STATUS P1 RELEASE DATE 2021/05/13 00:30:21

FUNCTIONAL SYMBOLS F=0 E=0 P=0	THIS DRAWING CONTAINS INFORMATION THAT IS PROPRIETARY TO MOLEX ELECTRONIC TECHNOLOGIES, LLC AND SHOULD NOT BE USED WITHOUT WRITTEN PERMISSION		CURRENT REV DESC: ITEM# 1, 3 & 6 WERE PVC. ADDED IEC VOLTAGE. MODIFIED TEMP RATING	
	DIMENSION UNITS INCH/MM	SCALE NTS	EC NO: 663067	
GENERAL TOLERANCES (UNLESS SPECIFIED)		DRWN: ABENJAMINLW 2021/01/22		molex
		CHK'D: RSTONE 2021/05/06		
		APPR: BWOODMAN 2021/05/13		PRODUCT CUSTOMER DRAWING
		INITIAL REVISION:		
		DRWN: KJOZWIK 2010/01/12		DOCUMENT NUMBER
		APPR: JFMURPHY 2010/01/15		SD-130068-003
		DRAFT WHERE APPLICABLE MUST REMAIN WITHIN DIMENSIONS		DOC TYPE/DOC PART/REVISION
		THIRD ANGLE PROJECTION		PSD 001 B
		DRAWING		MATERIAL NUMBER
		B-SIZE		SEE CHART
		SERIES		CUSTOMER
		130068		GENERAL MARKET
				SHEET NUMBER
				1 OF 1