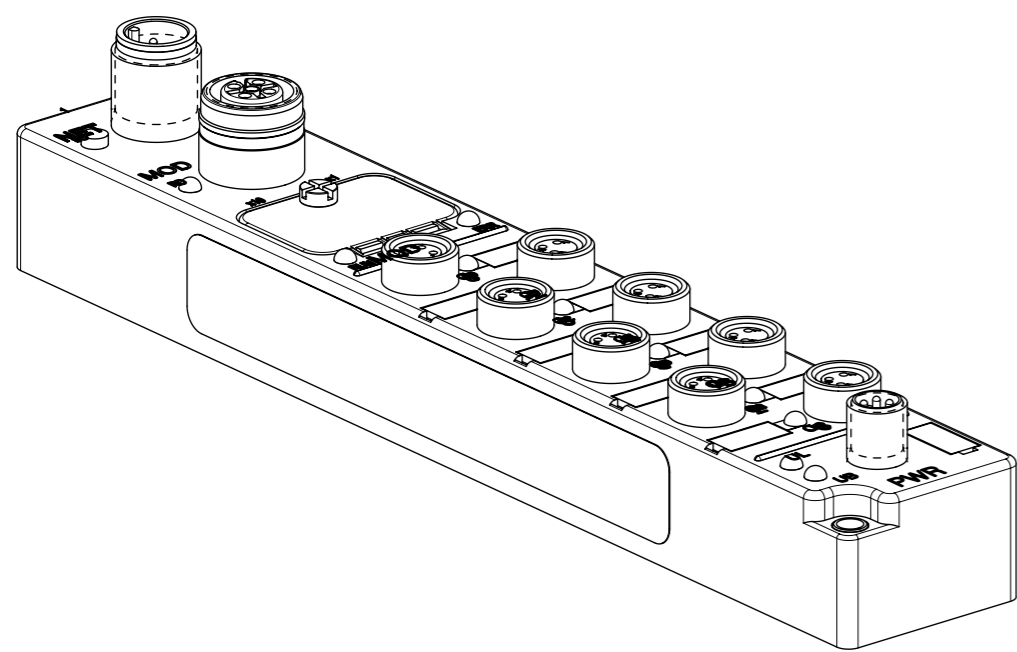


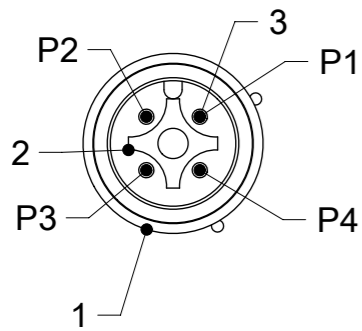
2x FIXING HOLES  
SUITABLE FOR M4  
SCREWS



THIS DRAWING CONTAINS INFORMATION THAT IS PROPRIETARY TO MOLEX INCORPORATED AND SHOULD NOT BE USED WITHOUT WRITTEN PERMISSION

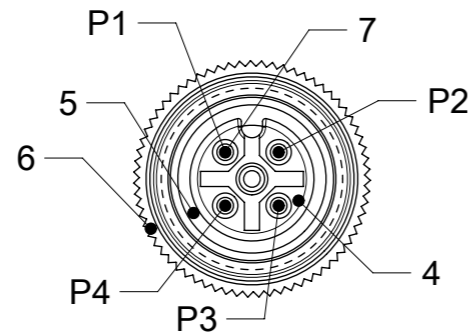
EC DESCRIPTION EC NO: 112126 DRWN: ULETTENMEIER 2016/11/30 CHK'D: APPR: RSILLER 2017/01/11	QUALITY SYMBOLS ▽ = 0 ▽ = 0 ▽ = 0 ▼ = 0 ▽ = 0 ☒ = 0 ■ = 0 ▽ = 0	GENERAL TOLERANCES (UNLESS SPECIFIED) ANGULAR TOL ± ° 4 PLACES ± 3 PLACES ± 2 PLACES ± 1 PLACE ± 0.5 0 PLACES ± 0.5 DRAFT WHERE APPLICABLE MUST REMAIN WITHIN DIMENSIONS	DIMENSION UNITS MM	SCALE 1:1				
			DRWN BY ULETTENMEIER	DATE 2015/03/17		DBO CC LINK 30 MM M12 4P MA AC M12 5P AC FE M8 3P 8PT FE M8 4P AC MA		
			CHK'D BY RSILLER	DATE 2015/06/24			PRODUCT CUSTOMER DRAWING	
	A1	REV		APPR BY RSILLER		DATE 2015/06/24	SERIES 112101	MATERIAL NUMBER SEE TABLE 1,2,3
			DRAWING SIZE A3	THIRD ANGLE PROJECTION	DOCUMENT NUMBER 1121015000	DOC TYPE PSD	DOC PART 000	SHEET NUMBER 1 OF 5

**A**  
BUS IN:  
1x MALE M12 4P A-CODE



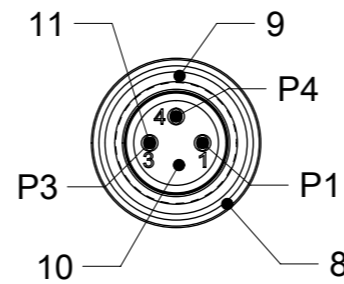
WIRING INFORMATION:  
P1: SLD (Shield)  
P2: DB (B Line)  
P3: DG (Ground)  
P4: DA (A Line)  
SHELL: SLD (Shield)

**B**  
BUS OUT:  
1x FEMALE M12 5P A-CODE



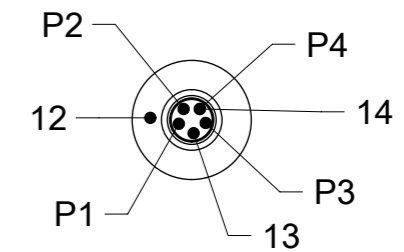
WIRING INFORMATION:  
P1: SLD (Shield)  
P2: DB (B Line)  
P3: DG (Ground)  
P4: DA (A Line)  
SHELL: SLD (Shield)

**C**  
INPUT / OUTPUT:  
8x FEMALE M8 3P



WIRING INFORMATION:  
INPUT                      OUTPUT  
P1 - +24VDC (UB)    P1 - NOT CONNECTED  
P3 - 0V (UB)            P3 - 0V (UL)  
P4 - INPUT SIGNAL    P4 - OUTPUT SIGNAL

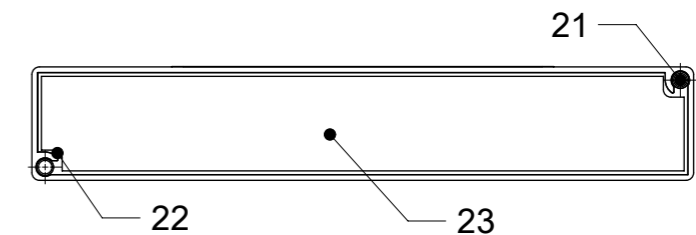
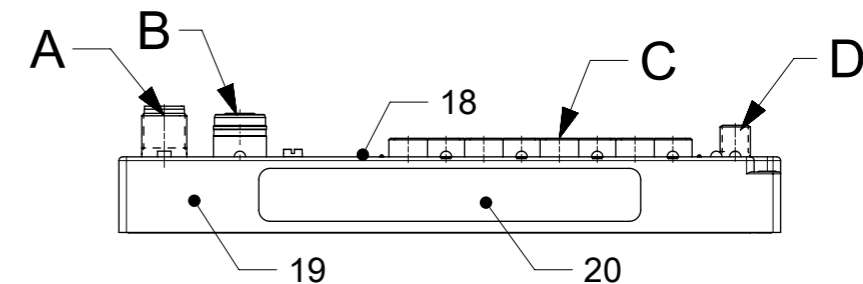
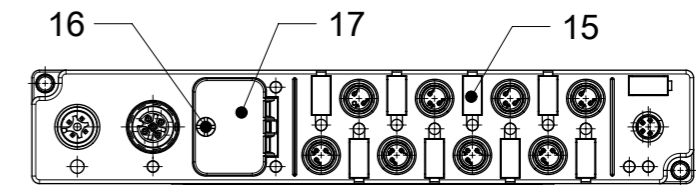
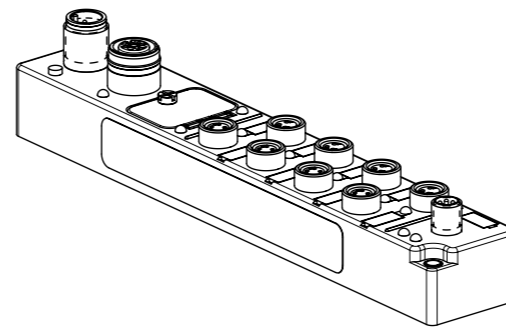
**D**  
POWER  
1X MALE M8 4P



WIRING INFORMATION  
P1 - 0VDC (UL - GROUND OUTPUT POWER)  
P2 - +24VDC (UB - MODULE & INPUT POWER)  
P3 - +24VDC (UL - OUTPUT POWER)  
P4 - 0V (UB - GROUND MODULE & INPUT POWER)  
SHELL: FUNCTIONAL EARTH

### BILL OF MATERIAL

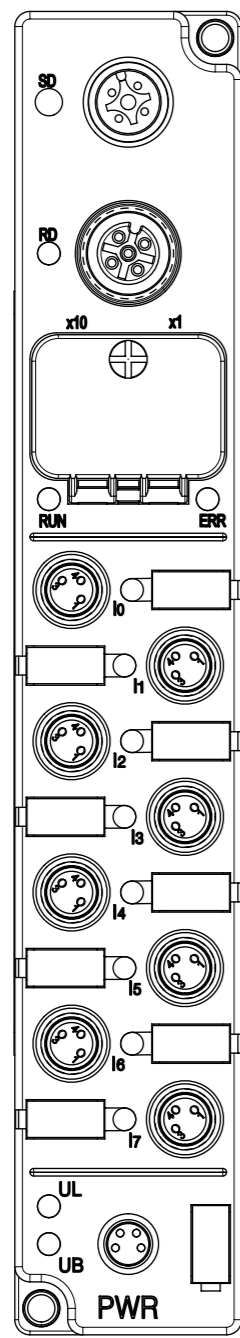
ITEM	DESCRIPTION	MATERIAL	FINISH
1	SHELL	BRASS	NICKEL PLATET
2	INSERT	TPU	BLACK
3	CONTACT	COPPER ALLOY	GOLD OVER NICKEL
4	INSERT	TPU	BLACK
5	GASKET	FPM	RED
6	SHELL	BRASS	NICKEL PLATET
7	CONTACT	COPPER ALLOY	GOLD OVER NICKEL
8	SHELL	BRASS	NICKEL PLATET
9	GASKET	FKM	RED
10	INSERT	TPU	BLACK
11	CONTACT	COPPER ALLOY	GOLD OVER NICKEL
12	SHELL	BRASS	NICKEL PLATET
13	OVERMOLD	PA	TRANSPARENT
14	CONTACT	COPPER ALLOY	GOLD OVER NICKEL
15	LABEL	PC	WHITE
16	SCREW	V2A	V2A
17	WINDOW	PC	TRANSPARENT
18	LED	PA	TRANSPARENT
19	HOUSING	PBT	BLACK
20	LABEL	PVC	YELLOW
21	SLEEVE	BRASS	NICKEL
22	RESIN	EPOXY	TRANSPARENT
23	LABEL	PVC	WHITE



THIS DRAWING CONTAINS INFORMATION THAT IS PROPRIETARY TO MOLEX INCORPORATED AND SHOULD NOT BE USED WITHOUT WRITTEN PERMISSION										
EC DESCRIPTION EC NO: 112126 DRWN: ULETTENMEIER 2016/11/30 CHK'D: REV APPR: RSILLER 2017/01/11	QUALITY SYMBOLS	GENERAL TOLERANCES (UNLESS SPECIFIED)	DIMENSION UNITS	SCALE	 DBO CC LINK 30 MM M12 4P MA AC M12 5P AC FE M8 3P 8PT FE M8 4P AC MA PRODUCT CUSTOMER DRAWING					
	$\nabla$ = 0 $\nabla$ = 0 $\nabla$ = 0 $\nabla$ = 0 $\nabla$ = 0 $\nabla$ = 0 $\nabla$ = 0 $\nabla$ = 0	ANGULAR TOL $\pm$ ° 4 PLACES $\pm$ 3 PLACES $\pm$ 2 PLACES $\pm$ 1 PLACE $\pm$ 0.5 0 PLACES $\pm$ 0.5 DRAFT WHERE APPLICABLE MUST REMAIN WITHIN DIMENSIONS	MM	1:1						
	DRWN BY	DATE	CHK'D BY	DATE						
	APPR BY	DATE	DRAWING SIZE	THIRD ANGLE PROJECTION						
A1	RSILLER	2017/01/11	RSILLER	2015/06/24	A3	SERIES		MATERIAL NUMBER		CUSTOMER
			112101		SEE TABLE 1,2,3		GENERAL MARKET			
			DOCUMENT NUMBER		DOC TYPE		DOC PART		SHEET NUMBER	
			1121015000		PSD		000		2 OF 5	

9 8 7 6 5 4 3 2 1

E  
D  
C  
B  
A



8 IN PRINTING

TABLE 1 8 IN					
CC LINK					
POWER TYPE	INPUT / OUTPUT		ENG.NO.	MOLEX P/N	3D MODEL NO.
M8 4 POLE	NPN	8I	TBDCC-880N-844	1121015000	1121015000 (PDM)
	PNP	8I	TBDCC-880P-844	1121015003	

THIS DRAWING CONTAINS INFORMATION THAT IS PROPRIETARY TO MOLEX INCORPORATED AND SHOULD NOT BE USED WITHOUT WRITTEN PERMISSION

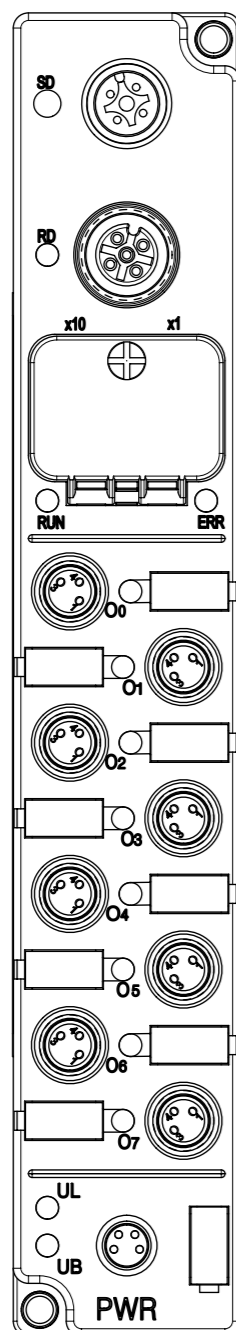
EC DESCRIPTION EC NO: 112126 DRWN: ULETTENMEIER 2016/11/30 CHK'D: APPR: RSILLER 2017/01/11	QUALITY SYMBOLS	GENERAL TOLERANCES (UNLESS SPECIFIED) ANGULAR TOL ± ° 4 PLACES ± 3 PLACES ± 2 PLACES ± 1 PLACE ± 0.5 0 PLACES ± 0.5 DRAFT WHERE APPLICABLE MUST REMAIN WITHIN DIMENSIONS	DIMENSION UNITS	SCALE	
	▽ = 0 ▽ = 0 ▽ = 0 ▼ = 0 ▽ = 0 ☒ = 0 ■ = 0 ▽ = 0		MM	1:1	
	DRWN BY ULETTENMEIER		DATE	2015/03/17	
	CHK'D BY RSILLER		DATE	2015/06/24	
A1	REV		DRAWING SIZE	THIRD ANGLE PROJECTION	SERIES: 112101 MATERIAL NUMBER: SEE TABLE 1,2,3 CUSTOMER: GENERAL MARKET
			A3		PRODUCT CUSTOMER DRAWING DOCUMENT NUMBER: 1121015000 DOC TYPE: PSD DOC PART: 000 SHEET NUMBER: 3 OF 5

9 8 7 6 5 4 3 2 1

9 8 7 6 5 4 3 2 1

E  
D  
C  
B  
A

TABLE 2 8 OUT				
		CC LINK		
POWER TYPE	INPUT / OUTPUT	ENG.NO.	MOLEX P/N	3D MODEL NO.
M8 4 POLE	PNP 8O	TBDCC-808P-844-G	1121015005	1121015000



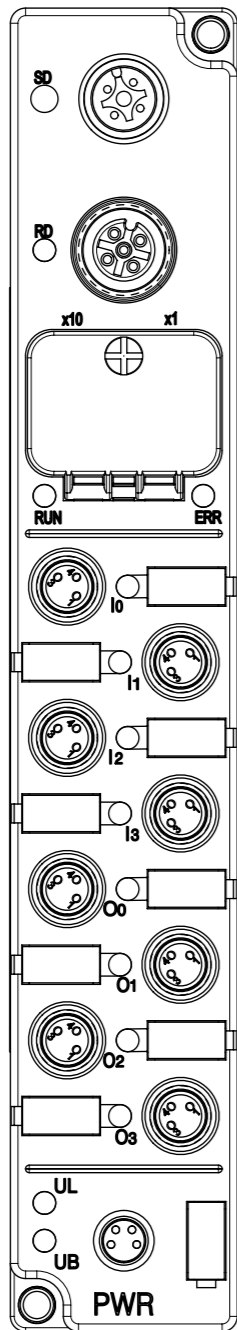
8 OUT PRINTING

THIS DRAWING CONTAINS INFORMATION THAT IS PROPRIETARY TO MOLEX INCORPORATED AND SHOULD NOT BE USED WITHOUT WRITTEN PERMISSION																
EC DESCRIPTION EC NO: 112126 DRWN: ULETTENMEIER 2016/11/30 CHK'D: APPR: RSILLER 2017/01/11	QUALITY SYMBOLS	GENERAL TOLERANCES (UNLESS SPECIFIED)		DIMENSION UNITS	SCALE											
	▽ = 0 ▽ = 0 ▽ = 0 ▼ = 0 ▽ = 0 ☒ = 0 ■ = 0 ▽ = 0	ANGULAR TOL ± ° 4 PLACES ± 3 PLACES ± 2 PLACES ± 1 PLACE ± 0.5 0 PLACES ± 0.5		MM	1:1											
	REV	DRAFT WHERE APPLICABLE MUST REMAIN WITHIN DIMENSIONS	DRWN BY ULETTENMEIER DATE 2015/03/17		CHK'D BY DATE		DBO CC LINK 30 MM M12 4P MA AC M12 5P AC FE M8 3P 8PT FE M8 4P AC MA									
	A1	APPR BY RSILLER DATE 2015/06/24		APPR BY DATE RSILLER 2015/06/24		PRODUCT CUSTOMER DRAWING		SERIES	MATERIAL NUMBER	CUSTOMER						
							112101	SEE TABLE 1,2,3	GENERAL MARKET							
							DRAWING SIZE		THIRD ANGLE PROJECTION			DOCUMENT NUMBER		DOC TYPE	DOC PART	SHEET NUMBER
							A3					1121015000		PSD	000	4 OF 5

9 8 7 6 5 4 3 2 1

9 8 7 6 5 4 3 2 1

E  
D  
C  
B  
A



4IN / 4OUT PRINTING

TABLE 3 4IN / 4OUT				
CC LINK				
POWER TYPE	INPUT / OUTPUT	ENG.NO.	MOLEX P/N	3D MODEL NO.
M8 4 POLE	4I (NPN)/ 4O(PNP)	TBDCC-844N-844-G	1121015001	1121015000 (PDM)
	PNP 4I / 4O	TBDCC-844P-844-G	1121015004	

THIS DRAWING CONTAINS INFORMATION THAT IS PROPRIETARY TO MOLEX INCORPORATED AND SHOULD NOT BE USED WITHOUT WRITTEN PERMISSION											
EC DESCRIPTION EC NO: 112126 DRWN: ULETTENMEIER 2016/11/30 CHKD: APPR: RSILLER 2017/01/11	QUALITY SYMBOLS	GENERAL TOLERANCES (UNLESS SPECIFIED)	DIMENSION UNITS	SCALE							
	▽ = 0 ▽ = 0 ▽ = 0 ▼ = 0 ▽ = 0 ☒ = 0 ■ = 0 ▽ = 0	ANGULAR TOL ± ° 4 PLACES ± 3 PLACES ± 2 PLACES ± 1 PLACE ± 0.5 0 PLACES ± 0.5 DRAFT WHERE APPLICABLE MUST REMAIN WITHIN DIMENSIONS	MM	1:1							
	DRWN BY	DATE	ULETTENMEIER 2015/03/17		DBO CC LINK 30 MM M12 4P MA AC M12 5P AC FE M8 3P 8PT FE M8 4P AC MA						
	CHK'D BY	DATE									
	APPR BY	DATE	RSILLER 2015/06/24		PRODUCT CUSTOMER DRAWING						
DRAWING SIZE	THIRD ANGLE PROJECTION	A3		SERIES	MATERIAL NUMBER	CUSTOMER			GENERAL MARKET		
				112101	SEE TABLE 1,2,3						
REV		A1		DOCUMENT NUMBER	DOC TYPE	DOC PART	SHEET NUMBER		5 OF 5		
				1121015000	PSD	000					

9 8 7 6 5 4 3 2 1