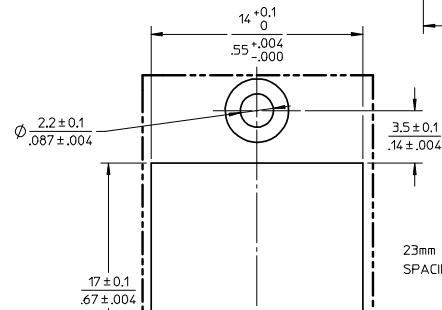
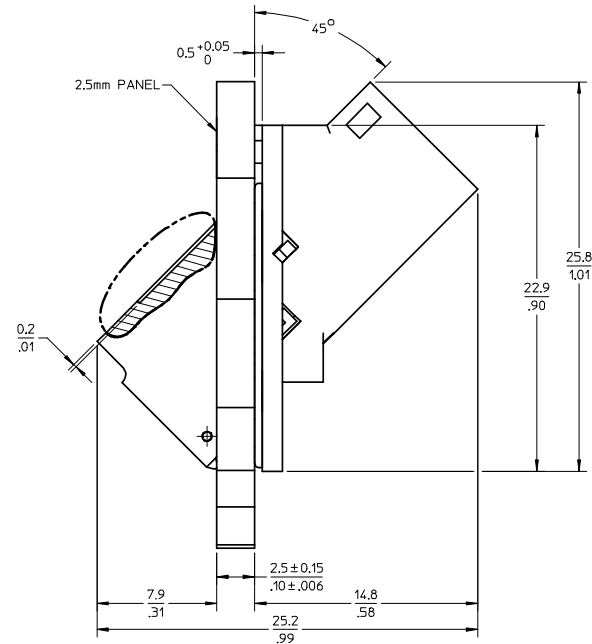
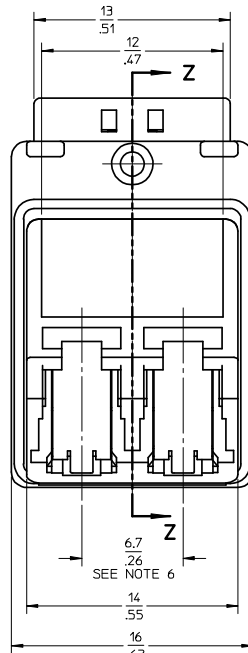
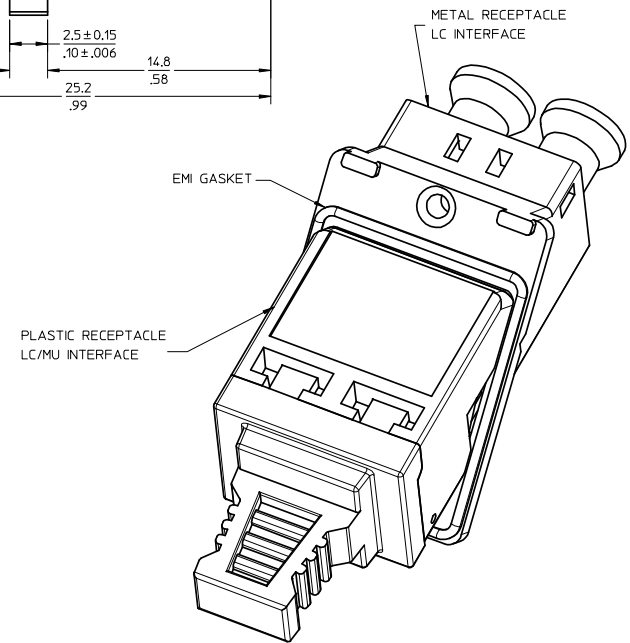


SECTION Z-Z



PANEL CUTOUT

23mm MINIMUM VERTICAL SPACING BETWEEN CUTOUPS



NOTES:

1. ALL DIMENSIONS ARE FOR REFERENCE ONLY.
2. PARTS SHOWN ASSEMBLED FOR CUSTOMER REFERENCE ONLY.
3. MATERIAL AND PLATING:
 - A. METAL RECEPTACLE HALF (LC INTERFACE) - ZINC DIE CAST W/ NICKEL PLATING
 - B. PLASTIC RECEPTACLE (LC/MU INTERFACE) - POLYETHER IMIDE (PEI) UL94 V-0
 - C. GASKET - SILICONE CONDUCTIVE ELASTOMER SNN 45.
 - D. SPLIT SLEEVE - ZIRCONIA
 - E. ALL OTHER PARTS - METAL.
4. LC DUPLEX WASH CAP (DUST CAP)-TPV UL94 V-0.
5. PACKAGING: FOR SHIPMENT OF THIS PRODUCT USE TRAY P/N 86934-1006 (NOT SHOWN).
6. 6.7mm BETWEEN CONNECTORS. ONLY SIMPLEX CONNECTORS MAY BE USED.
7. TO AVOID DAMAGING THE EMI GASKET, EXTRA CARE SHOULD BE TAKEN WHEN INSERTING ADAPTER INTO PANEL.



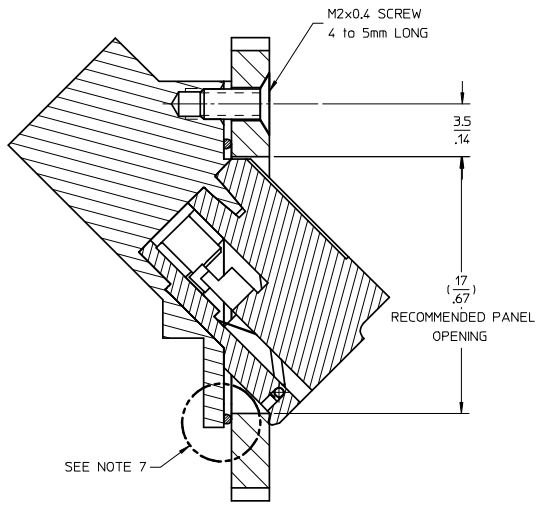
REV	DESCRIPTION
B	ENTER DESCRIPTION EC NO: MF2008-0252 DRWN:SERNST CHKD: 2008/04/24 APPR:WCHEN 2008/04/28

QUALITY SYMBOLS
▽=0
▽=0

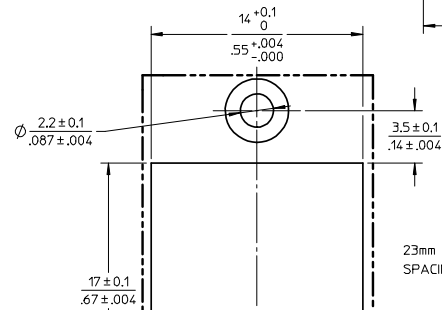
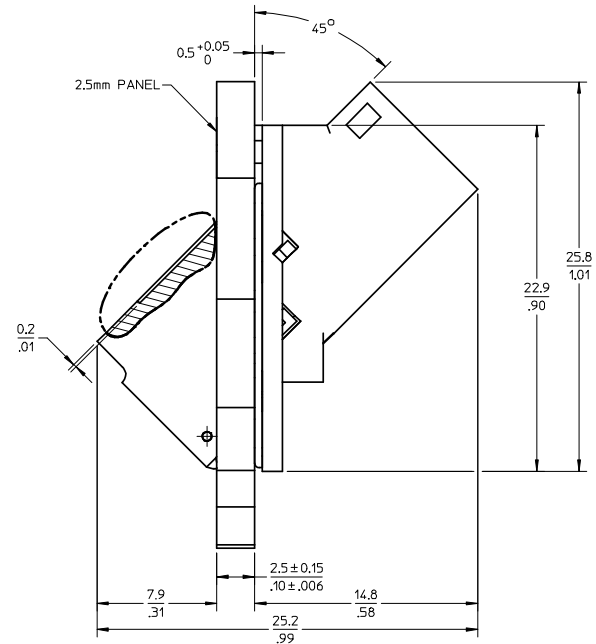
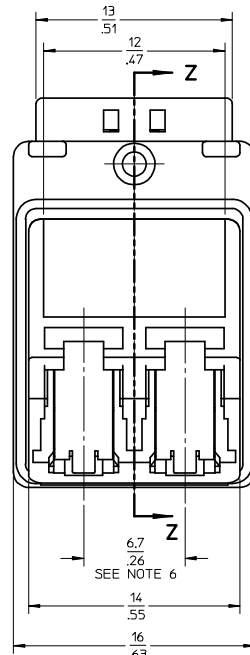
GENERAL TOLERANCES (UNLESS SPECIFIED)	
	ANGULAR ± 1°
DRAFT WHERE APPLICABLE MUST REMAIN WITHIN DIMENSIONS	

DIMENSION STYLE	
MM ONLY	
DRAWN BY	DATE
SERNST	2007/06/08
CHECKED BY	DATE
APPROVED BY	DATE
SM1GO	2007/06/08
MATERIAL NO.	1061009000
DOCUMENT NO.	SD-106100-9000
SIZE	C

SCALE	DESIGN UNITS	THIRD ANGLE PROJECTION
4:1	METRIC	☉
MULTI FORMAT (LC/MU) TO LC 45 DEG EMI ADAPTER (SCREW MOUNT)		
MOLEX INCORPORATED		
SHEET NO.	1 OF 1	

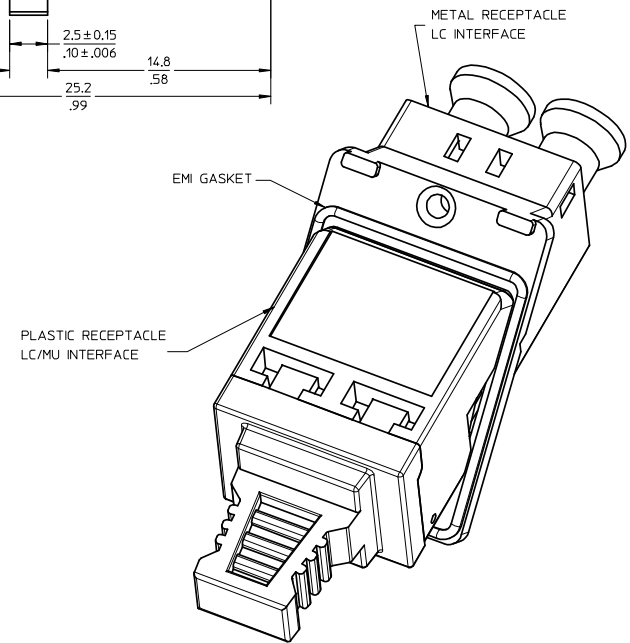


SECTION Z-Z



PANEL CUTOUT

23mm MINIMUM VERTICAL SPACING BETWEEN CUTOUPS



NOTES:

- ALL DIMENSIONS ARE FOR REFERENCE ONLY.
- PARTS SHOWN ASSEMBLED FOR CUSTOMER REFERENCE ONLY.
- MATERIAL AND PLATING:
 - METAL RECEPTACLE HALF (LC INTERFACE) - ZINC DIE CAST W/ NICKEL PLATING
 - PLASTIC RECEPTACLE (LC/MU INTERFACE) - POLYETHER IMIDE (PEI) UL94 V-0
 - GASKET - SILICONE CONDUCTIVE ELASTOMER SNN 45.
 - SPLIT SLEEVE - ZIRCONIA
 - ALL OTHER PARTS - METAL.
- LC DUPLEX WASH CAP (DUST CAP)-TPV UL94 V-0.
- PACKAGING: FOR SHIPMENT OF THIS PRODUCT USE TRAY P/N 86934-1006 (NOT SHOWN).
- 6.7mm BETWEEN CONNECTORS. ONLY SIMPLEX CONNECTORS MAY BE USED.
- TO AVOID DAMAGING THE EMI GASKET, EXTRA CARE SHOULD BE TAKEN WHEN INSERTING ADAPTER INTO PANEL.

WORK AREA PLOT

REV	DESCRIPTION	DATE
B	ENTER DESCRIPTION	2008/04/24
	EC NO: MF2008-0252	2008/04/24
	DRWNS:SERNST	2008/04/24
	CHKD: WCHEN	2008/04/28
	APPR:WCHEN	2008/04/28

QUALITY SYMBOLS

▽=0

▽=0

GENERAL TOLERANCES (UNLESS SPECIFIED)

	mm	INCH
4 PLACES ±	---	---
3 PLACES ±	---	---
2 PLACES ±	---	---
1 PLACE ±	---	---

ANGULAR ± 1 °

DRAFT WHERE APPLICABLE MUST REMAIN WITHIN DIMENSIONS

DIMENSION STYLE MM ONLY

DRAWN BY	DATE
SERNST	2007/06/08
CHECKED BY	DATE
APPROVED BY	DATE
SM1GO	2007/06/08

MATERIAL NO. 1061009000

SIZE C THIS DRAWING CONTAINS INFORMATION THAT IS PROPRIETARY TO MOLEX INCORPORATED AND SHOULD NOT BE USED WITHOUT WRITTEN PERMISSION

SCALE 4:1

DESIGN UNITS METRIC

THIRD ANGLE PROJECTION

TITLE MULTI FORMAT (LC/MU) TO LC 45 DEG EMI ADAPTER (SCREW MOUNT)

MOLEX MOLEX INCORPORATED DOCUMENT NO. SD-106100-9000 SHEET NO. 1 OF 1