

**NOTES :**

**1. MATERIAL:**

HOUSING: LCP FIBER GLASS FILLED UL 94-V0  
 COLOR BLACK.  
 TERMINAL: COPPER ALLOY  
 BASE FINISH: NICKEL  
 CONTACT SURFACE FINISH  
 GOLD  
 OR  
 GOLD FLASH OVER PALLADIUM NICKEL  
 EXCEEDS PRODUCT REQUIREMENTS BASED ON PSD-95503-001

**2. JACK FOR MATING WITH F.C.C. 68 PLUGS**

90075 MOLEX SERIES.

**3. P.C.B. THICKNESS: 1.57**

**4. PRODUCT SPECIFICATION PSD-95503-001**

**5. PACKAGING SPECIFICATION:**

STANDARD PACKAGING PK-95003 SHEET 1.

TUBE PACKAGING FOR SMT VERSION PK-95003 SHEET 2.

TUBE PACKAGING FOR THROUGH HOLE VERSION

PK-95003 SHEET 3.

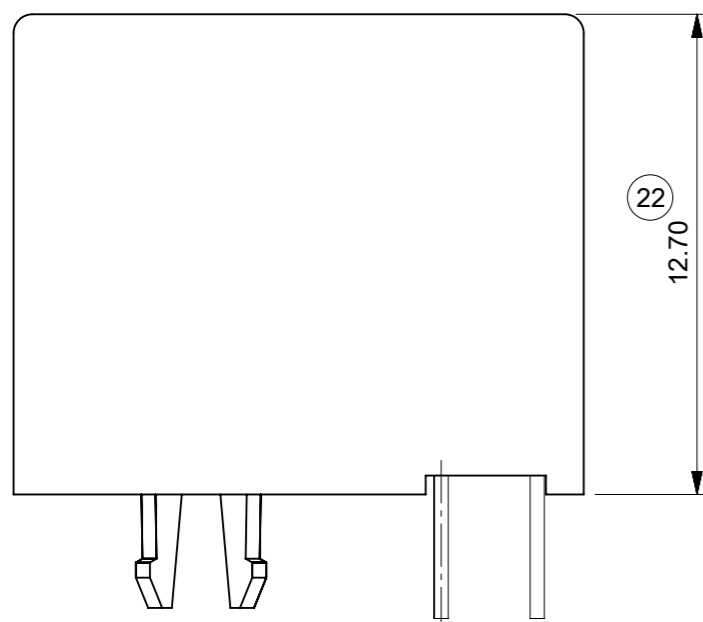
TAPE AND REEL PACKAGING FOR THROUGH HOLE PK-95503-001.

**6. MANUFACTURING I.D. CAN BE MXF, MG, MXI OR MXCH.**

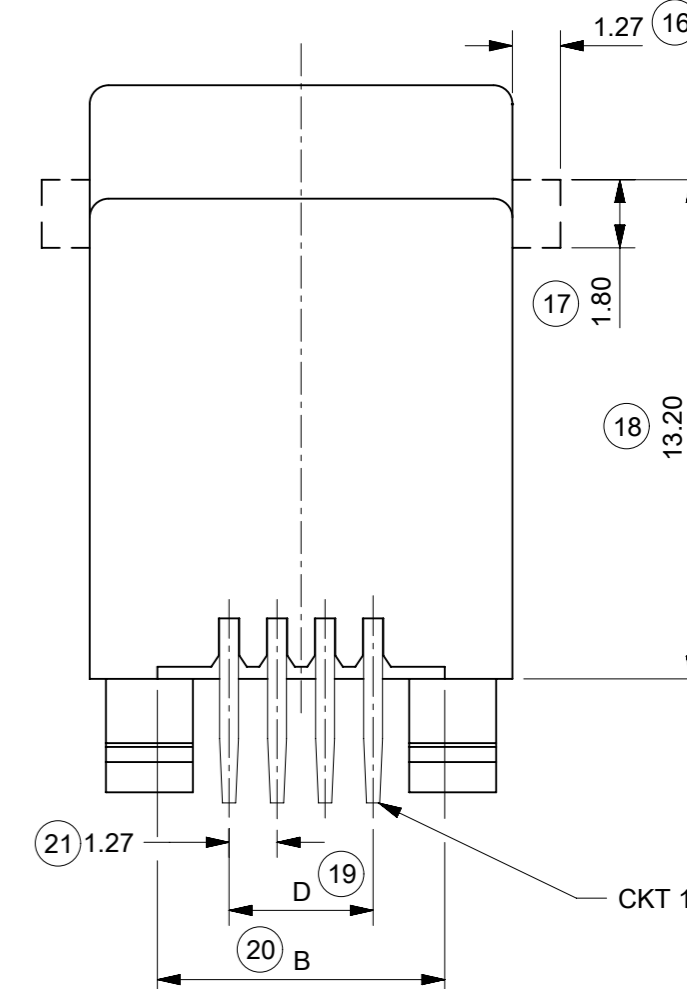
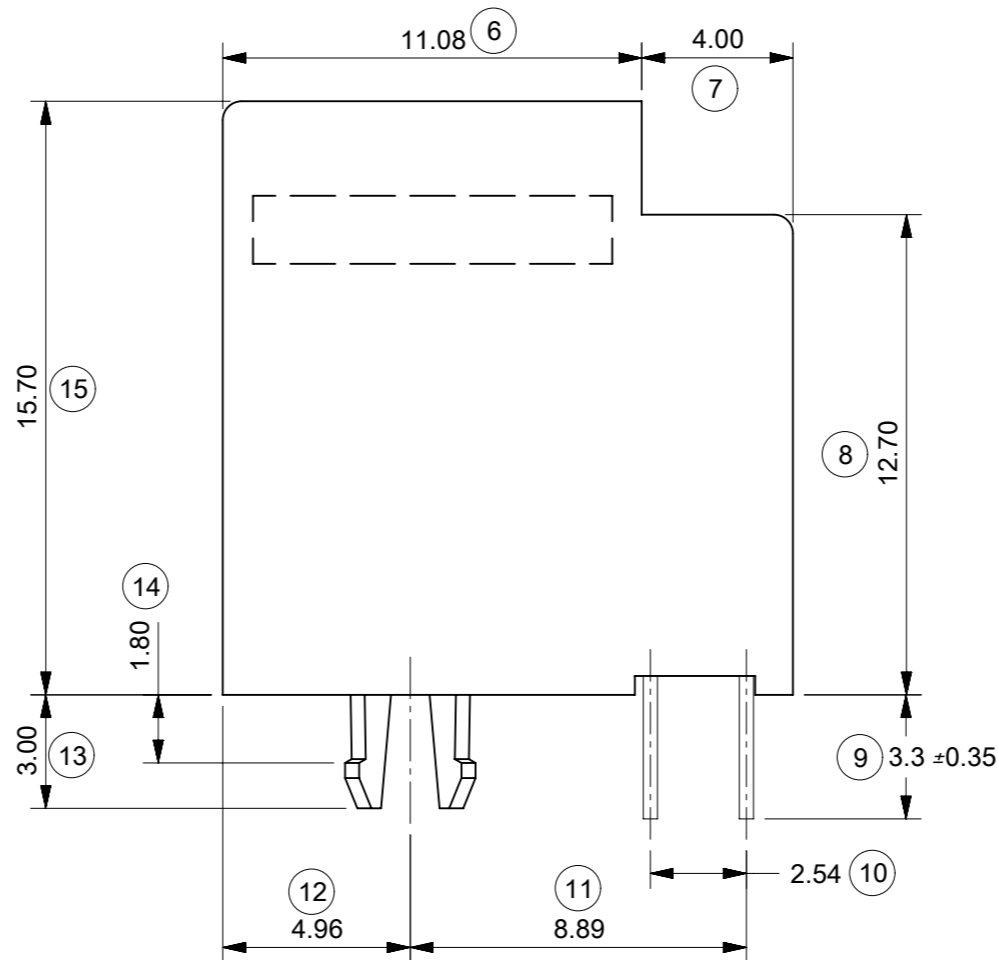
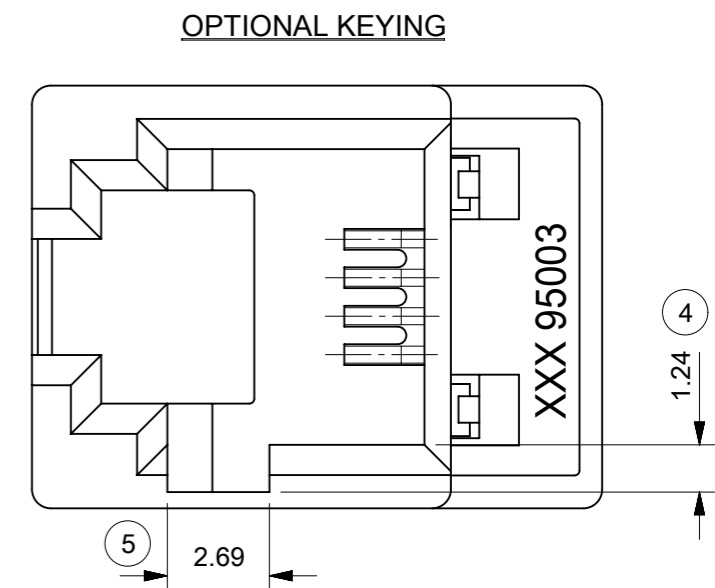
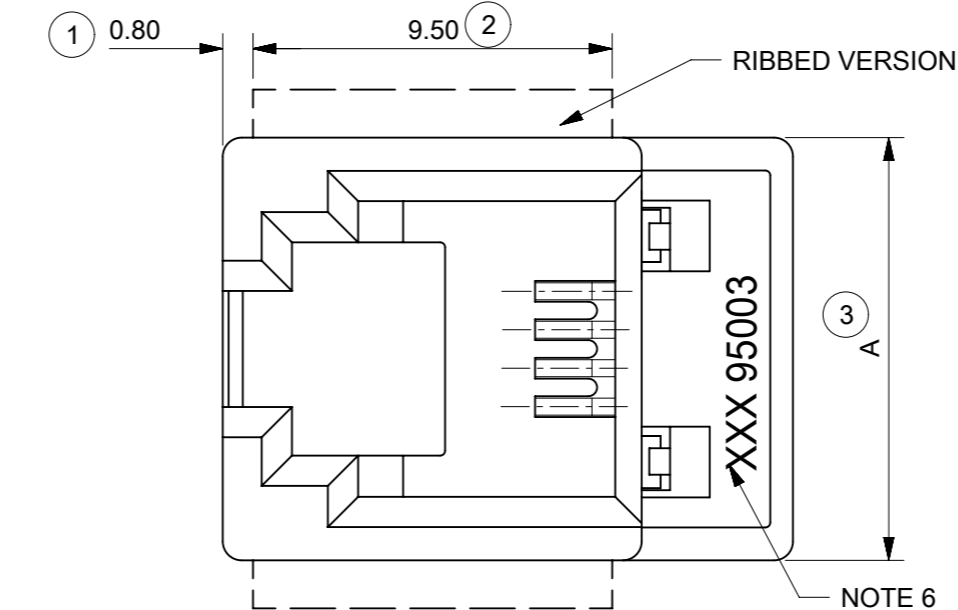
INSPECTION NUMBERS USED: (1) - (50)

LAST INSPECTION NUMBER: (22)

TYPE DIM.	POS. 4	POS. 6		POS. 8
	4 CKTS.	4 CKTS.	6 CKTS.	8 CKTS.
A	11.18	13.21	13.21	15.24
B	7.62	10.16	10.16	11.43
D	3.81	3.81	6.35	8.89



**SHORT VERSION**



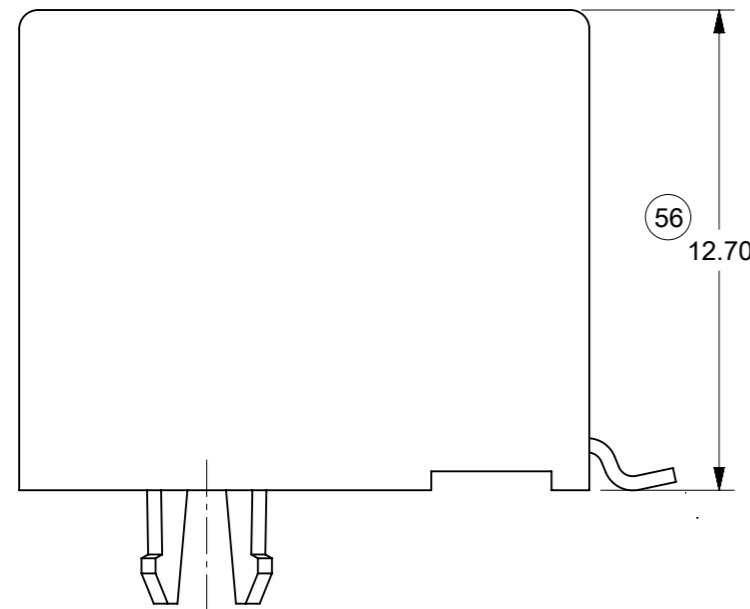
FUNCTIONAL SYMBOLS	THIS DRAWING CONTAINS INFORMATION THAT IS PROPRIETARY TO MOLEX ELECTRONIC TECHNOLOGIES, LLC AND SHOULD NOT BE USED WITHOUT WRITTEN PERMISSION	CURRENT REV DESC: ADD "MXCH" AS MANUFACTURING I.D. SEE NOTE 6.		<b>molex</b>																									
	<table border="1"> <tr> <th>FUNCTIONAL SYMBOLS</th> <th>DIMENSION UNITS</th> <th>SCALE</th> </tr> <tr> <td><math>\nabla_A = 0</math></td> <td>mm</td> <td>5:1</td> </tr> <tr> <td colspan="3">GENERAL TOLERANCES (UNLESS SPECIFIED)</td> </tr> <tr> <td colspan="3">ANGULAR TOL <math>\pm 0.5^\circ</math></td> </tr> <tr> <td>4 PLACES</td> <td><math>\pm</math></td> <td></td> </tr> <tr> <td>3 PLACES</td> <td><math>\pm</math></td> <td></td> </tr> <tr> <td>2 PLACES</td> <td><math>\pm 0.15</math></td> <td></td> </tr> <tr> <td>1 PLACE</td> <td><math>\pm 0.25</math></td> <td></td> </tr> <tr> <td>0 PLACES</td> <td><math>\pm</math></td> <td></td> </tr> </table>	FUNCTIONAL SYMBOLS	DIMENSION UNITS			SCALE	$\nabla_A = 0$	mm	5:1	GENERAL TOLERANCES (UNLESS SPECIFIED)			ANGULAR TOL $\pm 0.5^\circ$			4 PLACES	$\pm$		3 PLACES	$\pm$		2 PLACES	$\pm 0.15$		1 PLACE	$\pm 0.25$		0 PLACES	$\pm$
FUNCTIONAL SYMBOLS	DIMENSION UNITS	SCALE																											
$\nabla_A = 0$	mm	5:1																											
GENERAL TOLERANCES (UNLESS SPECIFIED)																													
ANGULAR TOL $\pm 0.5^\circ$																													
4 PLACES	$\pm$																												
3 PLACES	$\pm$																												
2 PLACES	$\pm 0.15$																												
1 PLACE	$\pm 0.25$																												
0 PLACES	$\pm$																												
DIVISIONAL SYMBOLS	INITIAL REVISION: DRWN: TMARTIN 2005/06/29 APPR: KNOLLER 2005/07/04		PRODUCT CUSTOMER DRAWING		DOCUMENT NUMBER <b>SD-95503-003</b>																								
DRAFT WHERE APPLICABLE MUST REMAIN WITHIN DIMENSIONS		THIRD ANGLE PROJECTION	DRAWING <b>A3-SIZE</b>	SERIES <b>95503</b>	MATERIAL NUMBER CUSTOMER GENERAL MARKET																								
DOCUMENT STATUS   P1   RELEASE DATE   2020/08/25 03:53:19		SHEET NUMBER 1 OF 5		DOC TYPE   DOC PART   REVISION PSD   001   H																									

**NOTES:**

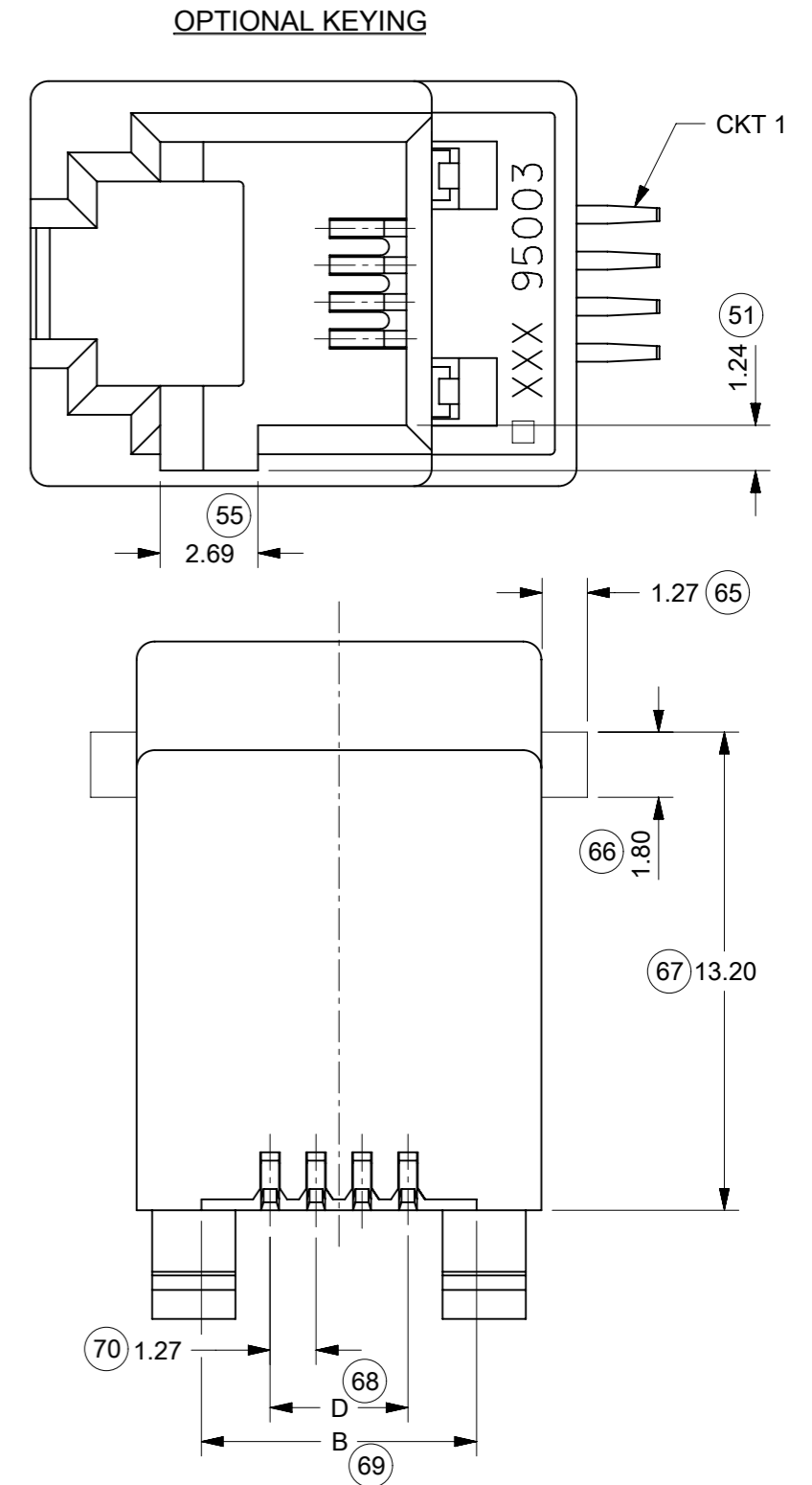
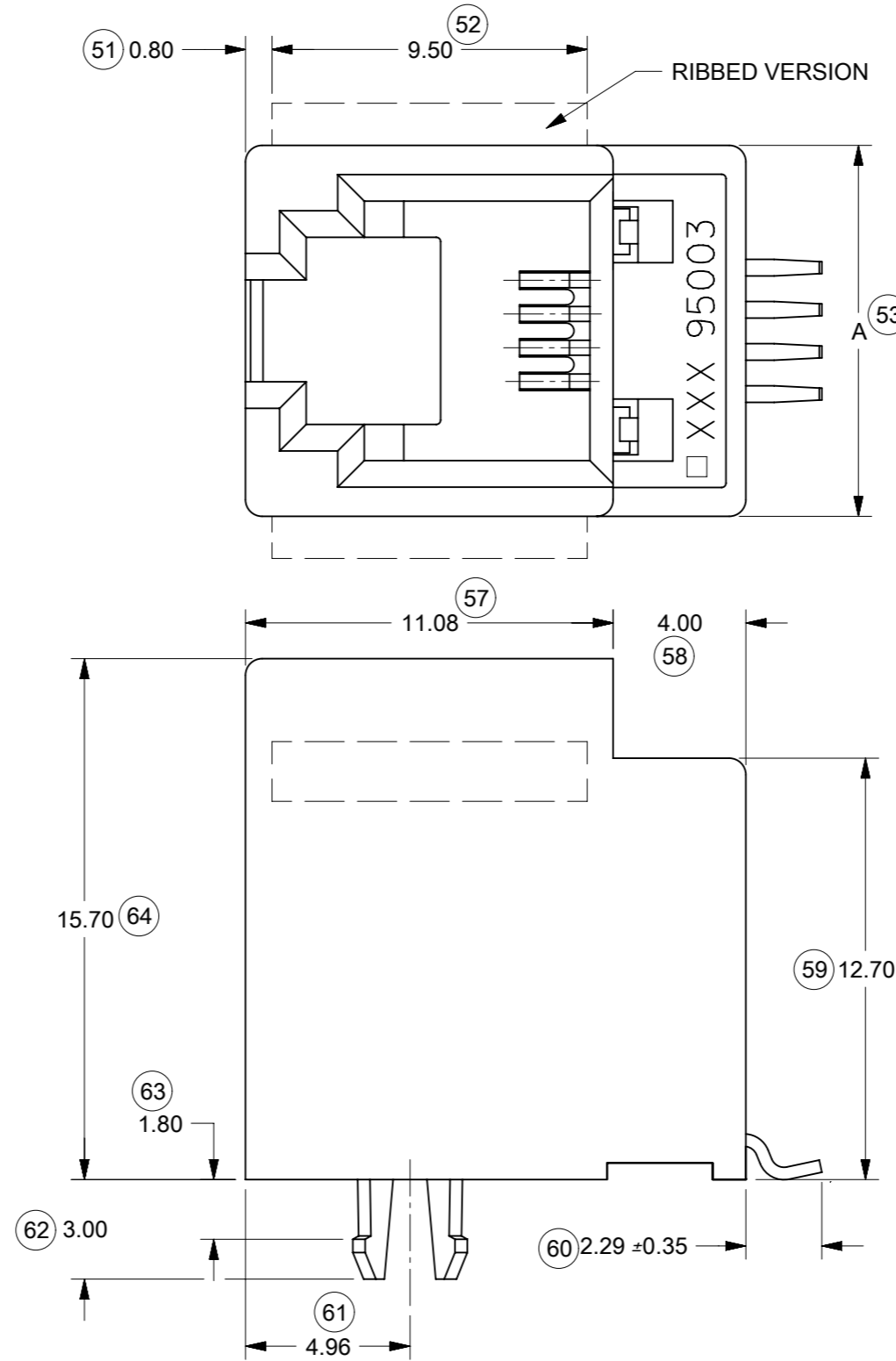
- MATERIAL:**  
HOUSING: L C P FIBER GLASS FILLED UL 94-V0  
COLOR BLACK.
- APPLICATION SPECIFICATION:** AS-85513-001 (SMT).
- SEE OTHER NOTES SHEET 1.
- COPLANARITY OF SIGNAL TAILS** 0.1mm MAX  
RELEVANT TO EACH OTHER.

INSPECTION NUMBERS USED: (51) - (100)

LAST INSPECTION NUMBER: (70)



SHORT VERSION



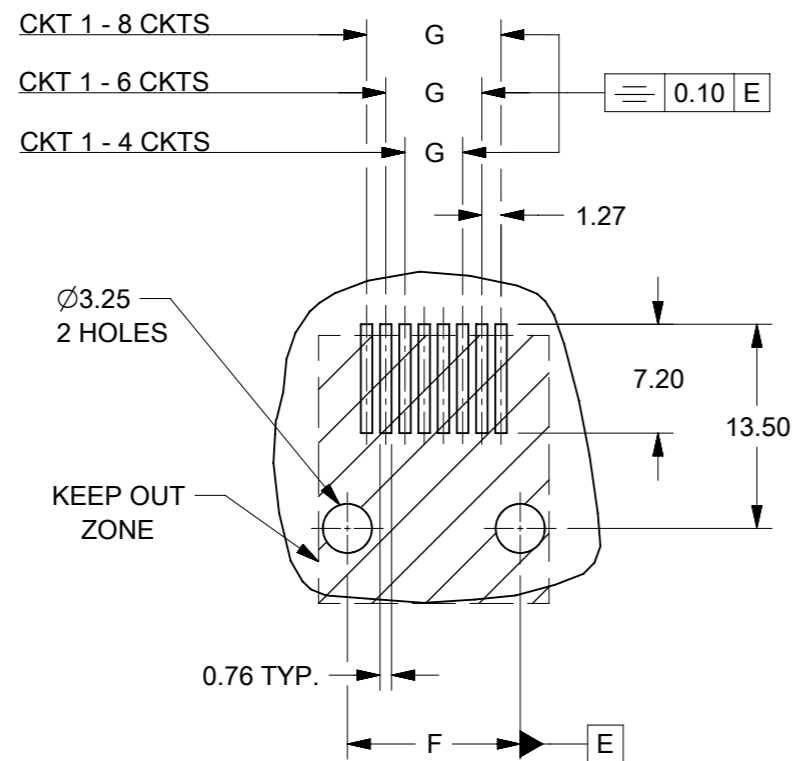
DIM. \ TYPE	POS. 4	POS. 6		POS. 8
	4 CKTS.	4 CKTS.	6 CKTS.	8 CKTS.
A	11.18	13.21	13.21	15.24
B	7.62	10.16	10.16	11.43
D	3.81	3.81	6.35	8.89

FUNCTIONAL SYMBOLS	THIS DRAWING CONTAINS INFORMATION THAT IS PROPRIETARY TO MOLEX ELECTRONIC TECHNOLOGIES, LLC AND SHOULD NOT BE USED WITHOUT WRITTEN PERMISSION	CURRENT REV DESC: ADD "MXCH" AS MANUFACTURING I.D. SEE NOTE 6.		<b>molex</b>													
	<table border="1"> <tr> <th>DIMENSION UNITS</th> <th>SCALE</th> </tr> <tr> <td>mm</td> <td>1:1</td> </tr> </table>	DIMENSION UNITS	SCALE				mm	1:1	GENERAL TOLERANCES (UNLESS SPECIFIED)		LOW PROFILE TOP ENTRY JACK (THROUGH HOLE VERSION)						
DIMENSION UNITS	SCALE																
mm	1:1																
<table border="1"> <tr> <td>ANGULAR TOL</td> <td>± 0.5°</td> </tr> <tr> <td>4 PLACES</td> <td>±</td> </tr> <tr> <td>3 PLACES</td> <td>±</td> </tr> <tr> <td>2 PLACES</td> <td>± 0.15</td> </tr> <tr> <td>1 PLACE</td> <td>± 0.25</td> </tr> <tr> <td>0 PLACES</td> <td>±</td> </tr> </table>	ANGULAR TOL	± 0.5°	4 PLACES	±	3 PLACES	±	2 PLACES	± 0.15	1 PLACE	± 0.25	0 PLACES	±	EC NO: 641518 DRWN: BCAFFREY CHK'D: KLANG APPR: KLANG		2017/07/05 2020/08/25 2020/08/25		
ANGULAR TOL	± 0.5°																
4 PLACES	±																
3 PLACES	±																
2 PLACES	± 0.15																
1 PLACE	± 0.25																
0 PLACES	±																
DIVISIONAL SYMBOLS	DRAFT WHERE APPLICABLE MUST REMAIN WITHIN DIMENSIONS		INITIAL REVISION: DRWN: TMARTIN APPR: KNOLLER		PRODUCT CUSTOMER DRAWING												
THIRD ANGLE PROJECTION			DRAWING SERIES A3-SIZE 95503		DOCUMENT NUMBER: SD-95503-003 DOC TYPE: PSD DOC PART: 001 REVISION: H												
MATERIAL NUMBER: SEE CHART			CUSTOMER: GENERAL MARKET		SHEET NUMBER: 2 OF 5												

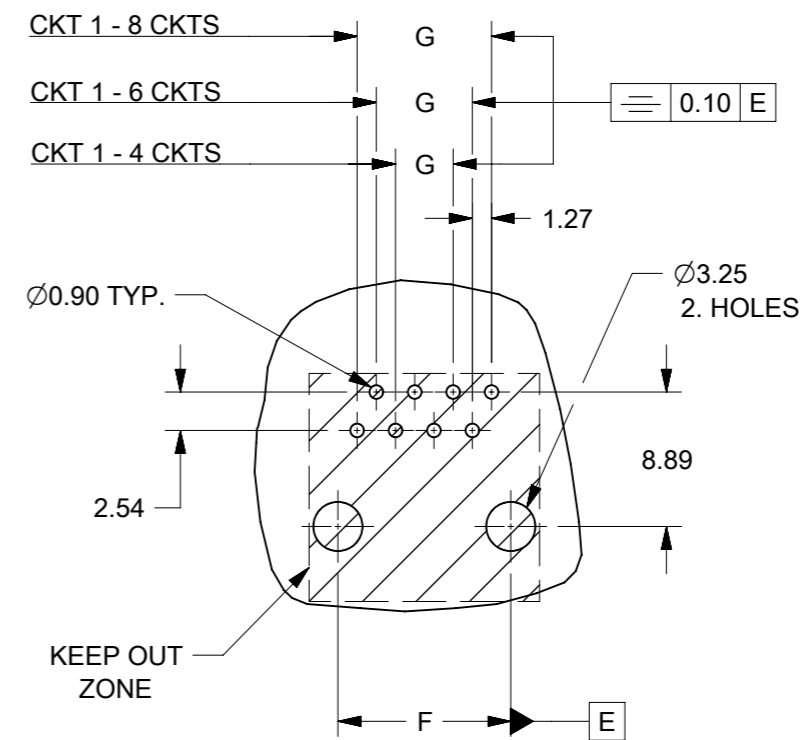
TYPE \ DIM.	POS. 4	POS. 6		POS.8
	4 CKTS.	4 CKTS.	6 CKTS.	8 CKTS.
F±0.05	7.62	10.16	10.16	11.43
G±0.05	3.81	3.81	6.35	8.89

### P.C.B MOUNTING PATTERNS - SEEN FROM COMPONENT SIDE

#### FOR SMT JACK (SURFACE MOUNT)



#### FOR STANDARD JACK (THROUGH HOLE)



NOTES:  
ALL DIMENSIONS REF DIMENSIONS.

FUNCTIONAL SYMBOLS	THIS DRAWING CONTAINS INFORMATION THAT IS PROPRIETARY TO MOLEX ELECTRONIC TECHNOLOGIES, LLC AND SHOULD NOT BE USED WITHOUT WRITTEN PERMISSION			
	$\nabla_A = 0$ $\nabla_E = 0$ $\nabla_V = 0$	DIMENSION UNITS: mm SCALE: 1:1 GENERAL TOLERANCES (UNLESS SPECIFIED): ANGULAR TOL ± 0.5° 4 PLACES ± 3 PLACES ± 2 PLACES ± 0.15 1 PLACE ± 0.25 0 PLACES ±		
DIVISIONAL SYMBOLS			PRODUCT CUSTOMER DRAWING	
DRAFT WHERE APPLICABLE MUST REMAIN WITHIN DIMENSIONS			DOCUMENT NUMBER: SD-95503-003 DOC TYPE: PSD DOC PART: 001 REVISION: H	SHEET NUMBER: 3 OF 5
THIRD ANGLE PROJECTION		DRAWING: A3-SIZE	SERIES: 95503	MATERIAL NUMBER: SEE CHART CUSTOMER: GENERAL MARKET

F  
E  
D  
C  
B  
A

HOUSING SIZE	LOADED CONTACTS
4	4
6	4
6	6
8	8

PART NO. FOR JACK ASSEMBLY THROUGH HOLE STANDARD VERSION					
LCP FIBER GLASS FILLED UL-94V0 COLOR BLACK					
NO KEY	TOOLED	KEY	TOOLED		TOOLED
NO RIB	TOOLED	NO RIB	TOOLED		TOOLED
95503-2441	X				
95503-2641	X				
95503-2661	X				
95503-2881	X	95503-2882	X		

TRAY PACKAGING  
SEE PACKAGING SPEC PK-95003 SHEET 1

PART NO. FOR JACK ASSEMBLY THROUGH HOLE STANDARD VERSION					
LCP FIBER GLASS FILLED UL-94V0 COLOR BLACK					
NO KEY	TOOLED	KEY	TOOLED		TOOLED
NO RIB	TOOLED	NO RIB	TOOLED		TOOLED
95503-2884	X				

TRAY PACKAGING  
SEE PACKAGING SPEC PK-95003 SHEET 1

PART NO. FOR JACK ASSEMBLY THROUGH HOLE SHORT VERSION					
LCP FIBER GLASS FILLED UL-94V0 COLOR BLACK					
NO KEY	TOOLED	KEY	TOOLED		TOOLED
NO RIB	TOOLED	NO RIB	TOOLED		TOOLED
95503-2440	X				
95503-2640					
95503-2660					
95503-2880	X				

TAPE AND REEL PACKAGING  
SEE PACKAGING SPEC PK-95503 SHEET 1

TOOLED	X
NOT TOOLED	

NOTES:  
PLATING: SEE SHEET 1

FUNCTIONAL SYMBOLS FA = 0 FB = 0 FC = 0	THIS DRAWING CONTAINS INFORMATION THAT IS PROPRIETARY TO MOLEX ELECTRONIC TECHNOLOGIES, LLC AND SHOULD NOT BE USED WITHOUT WRITTEN PERMISSION		<b>molex</b>	
	DIMENSION UNITS	SCALE		
	mm	1:1	PRODUCT CUSTOMER DRAWING	
	GENERAL TOLERANCES (UNLESS SPECIFIED)		DOCUMENT NUMBER	
ANGULAR TOL ± 0.5°		SD-95503-003		
4 PLACES ±		DOC TYPE		
3 PLACES ±		PSD		
2 PLACES ± 0.15		DOC PART		
1 PLACE ± 0.25		001		
0 PLACES ±		REVISION		
DRAFT WHERE APPLICABLE MUST REMAIN WITHIN DIMENSIONS		H		
THIRD ANGLE PROJECTION		SHEET NUMBER		
DRAWING		4 OF 5		
SERIES		MATERIAL NUMBER		
A3-SIZE		SEE CHART		
95503		CUSTOMER		
		GENERAL MARKET		

TUBE PACKAGING, SEE PACKAGING SPEC. PK 95003

SHEET 2


HOUSING SIZE	LOADED CONTACTS
4	4
6	4
6	6
8	8

PART NO. FOR JACK ASSEMBLY S.M.T. STANDARD VERSION							
LCP FIBER GLASS FILLED UL-94V0 COLOR BLACK.							
NO KEY	TOOLED	KEY	TOOLED	NO KEY	TOOLED		TOOLED
NO RIB	TOOLED	NO RIB	TOOLED	RIB	TOOLED		TOOLED
95503-6451	X						
95503-6651	X						
95503-6671	X						
95503-6891	X			95503-6887	X		

PART NO. FOR JACK ASSEMBLY S.M.T. SHORT VERSION							
LCP FIBER GLASS FILLED UL-94V0 COLOR BLACK.							
NO KEY	TOOLED	KEY	TOOLED	NO KEY	TOOLED		TOOLED
NO RIB	TOOLED	NO RIB	TOOLED	RIB	TOOLED		TOOLED
95503-6894	X						

TOOLED	X
NOT TOOLED	

NOTES:  
PLATING: SEE SHEET 1

FUNCTIONAL SYMBOLS FA = 0 FB = 0 FC = 0	THIS DRAWING CONTAINS INFORMATION THAT IS PROPRIETARY TO MOLEX ELECTRONIC TECHNOLOGIES, LLC AND SHOULD NOT BE USED WITHOUT WRITTEN PERMISSION	CURRENT REV DESC: ADD "MXCH" AS MANUFACTURING I.D. SEE NOTE 6.		 LOW PROFILE TOP ENTRY JACK (THROUGH HOLE VERSION)		
	DIMENSION UNITS: mm	SCALE: 1:1	EC NO: 641518			
DIVISIONAL SYMBOLS	GENERAL TOLERANCES (UNLESS SPECIFIED)		DRWN: BCAFFREY	2017/07/05	PRODUCT CUSTOMER DRAWING	
	ANGULAR TOL ± 0.5°		CHK'D: KLANG	2020/08/25	DOCUMENT NUMBER: SD-95503-003	
	4 PLACES ±	APPR: KLANG	2020/08/25	DOC TYPE: PSD	DOC PART: 001	REVISION: H
	3 PLACES ±	INITIAL REVISION:	2005/06/29	MATERIAL NUMBER: SEE CHART		
2 PLACES ± 0.15	DRWN: TMARTIN	2005/07/04	CUSTOMER: GENERAL MARKET			
1 PLACE ± 0.25	APPR: KNOLLER		SHEET NUMBER: 5 OF 5			
0 PLACES ±	DRAFT WHERE APPLICABLE MUST REMAIN WITHIN DIMENSIONS	THIRD ANGLE PROJECTION	DRAWING: A3-SIZE	SERIES: 95503		