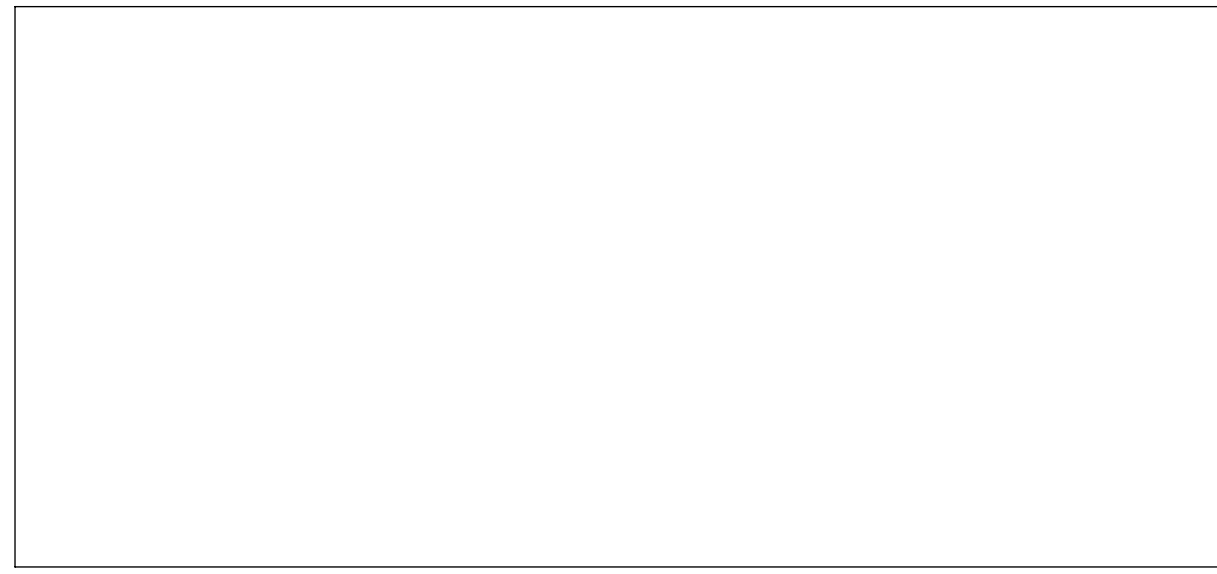
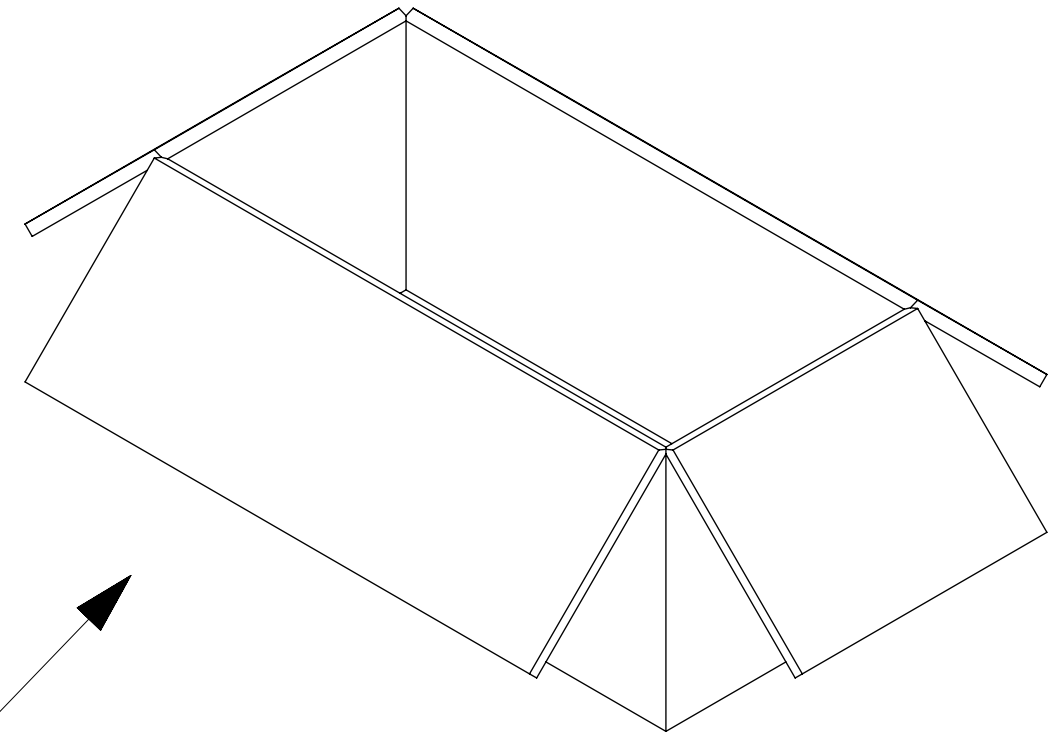


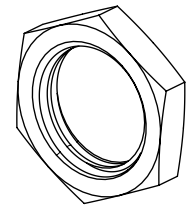
P/N: 73391-0260  
 73391-0261  
 73391-0262  
 73391-0263  
 73391-0264  
 73391-0265



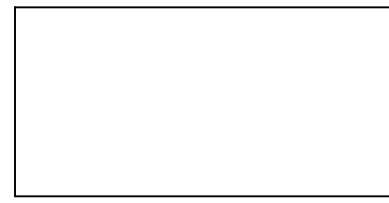
50 SET PER BAG  
 P/N: 89707-0174



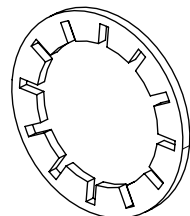
250 SET PER INNER  
 CARTON BOX  
 P/N: 89499-9026



JAM NUT



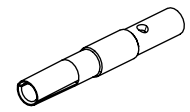
250 SET PER BAG



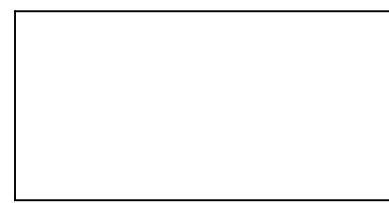
LOCK WASHER



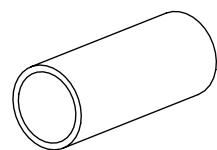
250 SET PER BAG



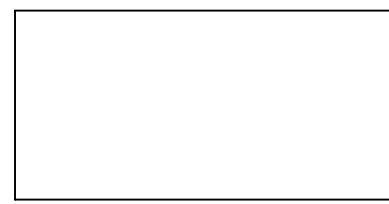
CONTACT



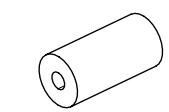
250 SET PER BAG



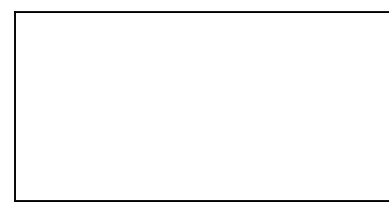
CRIMP TUBE



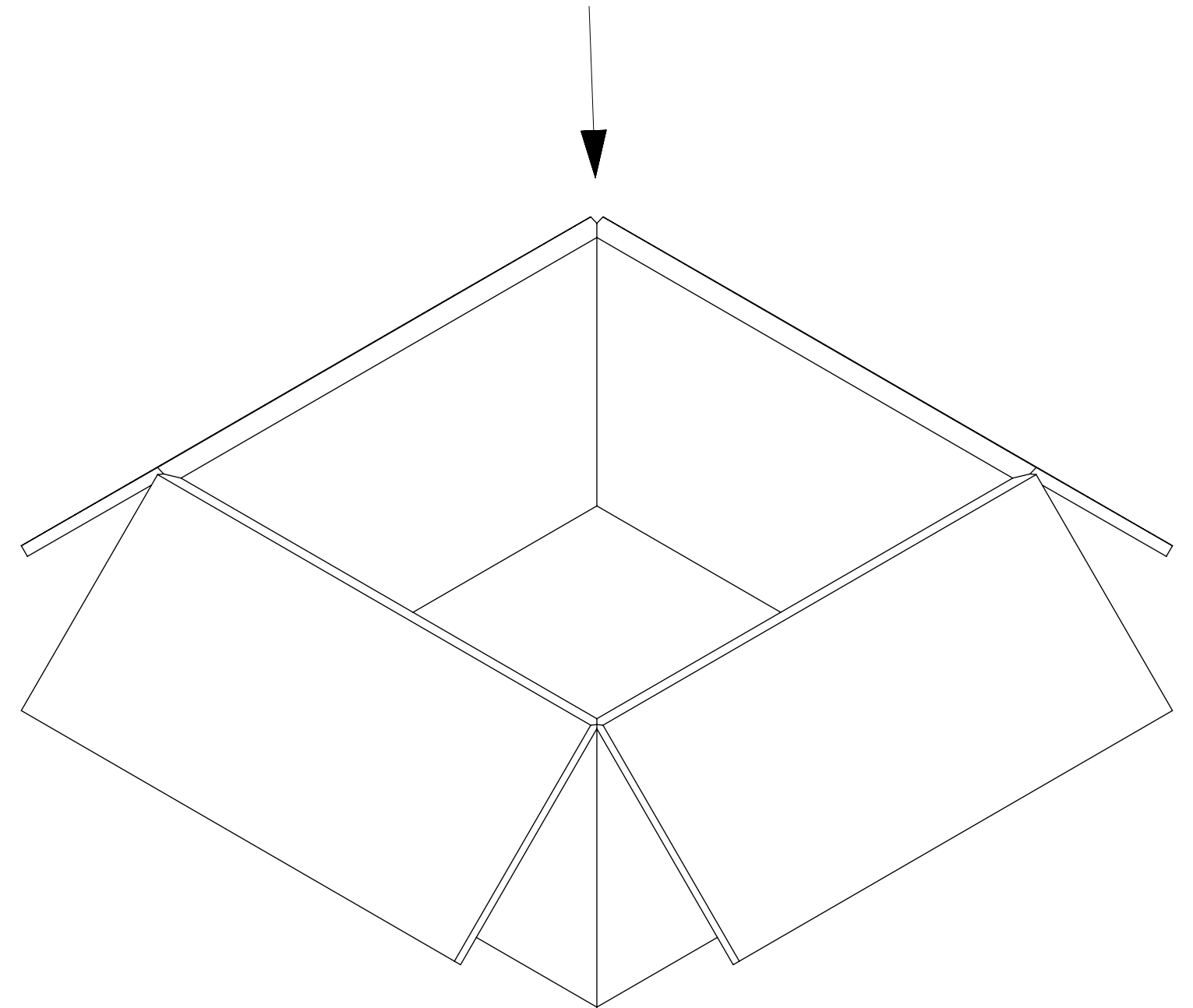
250 SET PER BAG



SPACER  
 FOR -0263 ONLY

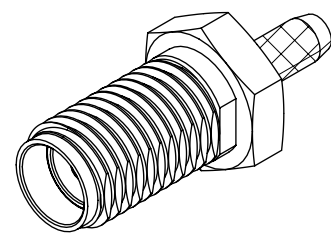


250 SET PER BAG

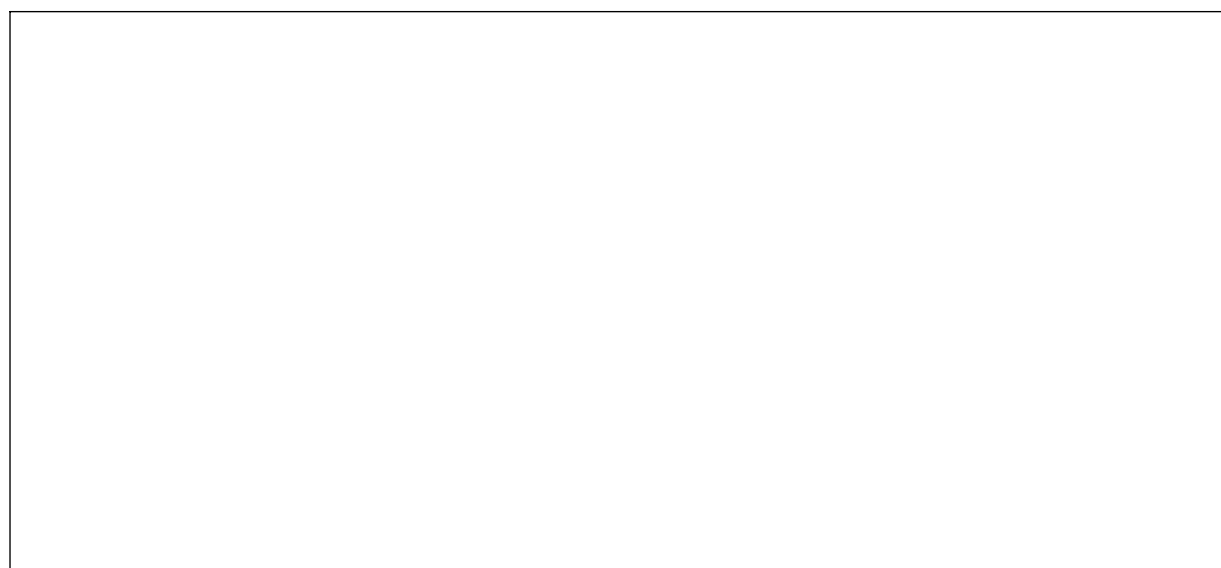


500 SET PER OUTER  
 CARTON BOX  
 P/N: 89499-9027

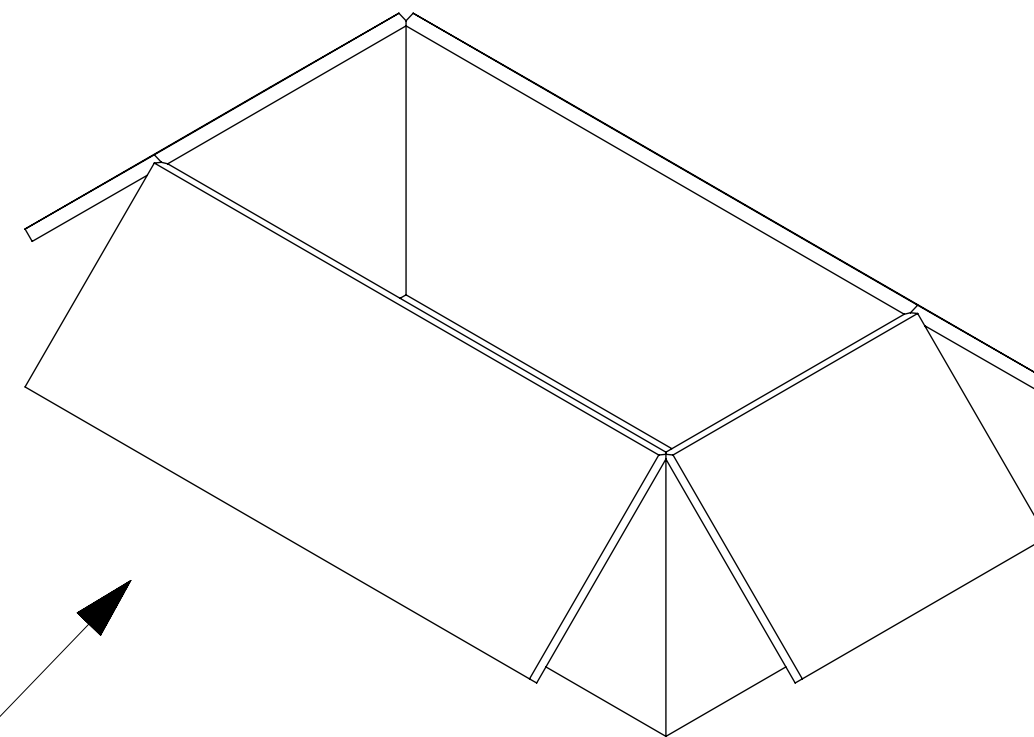
FUNCTIONAL SYMBOLS	THIS DRAWING CONTAINS INFORMATION THAT IS PROPRIETARY TO MOLEX ELECTRONIC TECHNOLOGIES, LLC AND SHOULD NOT BE USED WITHOUT WRITTEN PERMISSION										
	DIMENSION UNITS	SCALE	CURRENT REV DESC: EWR # 15667-A : ADDED -0266							PART NO	
$\frac{E}{A} = 0$	MM/INCH	NTS								<b>molex</b>	
$\frac{E}{C} = 0$	GENERAL TOLERANCES (UNLESS SPECIFIED)										
$\frac{E}{P} = 0$	ANGULAR TOL		±	°	EC NO: 738061					SMA JACK STR BKHD RM FOR RG316/RG174 SMA-JC	
DIVISIONAL SYMBOLS	4 PLACES		±		DRWN: JSU18		2023/02/08		PRODUCT CUSTOMER DRAWING		
	3 PLACES		±		CHK'D: YCHENG		2023/02/21		DOCUMENT NUMBER		
	2 PLACES		±		APPR: YCHENG		2023/02/21		DOC TYPE		
	1 PLACE		±		INITIAL REVISION:				DOC PART		
0 PLACES		±			DRWN: AROBERTSON		2007/04/09		REVISION		
DRAFT WHERE APPLICABLE MUST REMAIN WITHIN DIMENSIONS		THIRD ANGLE PROJECTION		DRAWING		SERIES		MATERIAL NUMBER		CUSTOMER	
				C-SIZE		73391		SD-73391-026		GENERAL MARKET	
										SHEET NUMBER	
										2 OF 3	



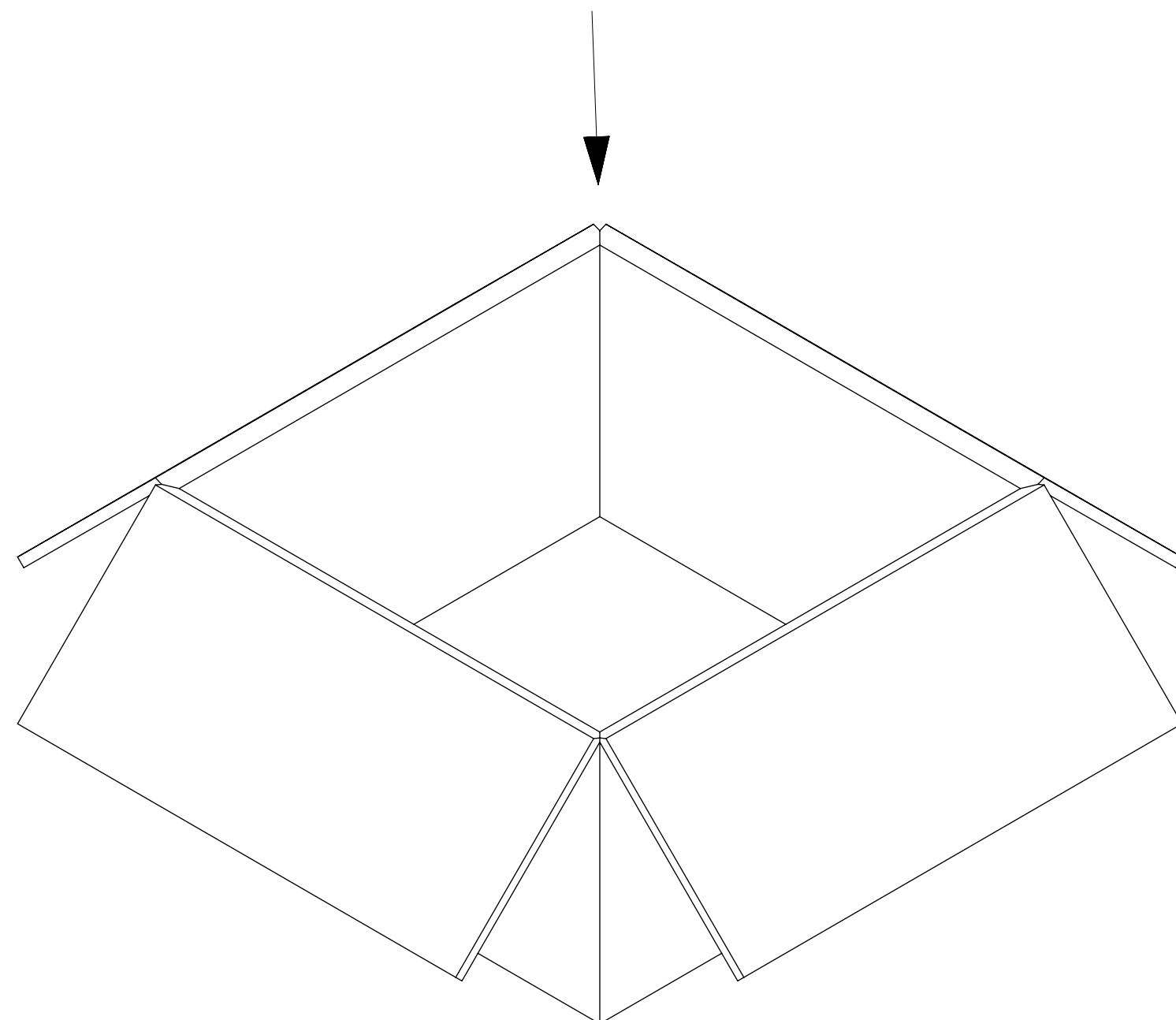
P/N: 73391-0266



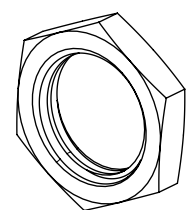
50 SET PER BAG  
P/N: 89707-0174



250 SET PER INNER  
CARTON BOX  
P/N: 89499-9026



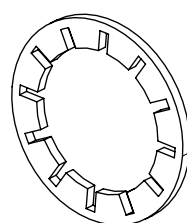
500 SET PER OUTER  
CARTON BOX  
P/N: 89499-9027



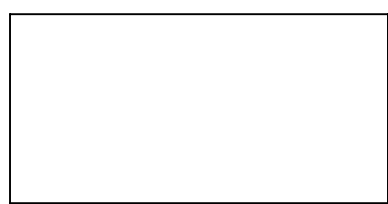
JAM NUT



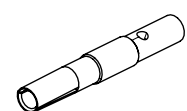
50 SET PER BAG



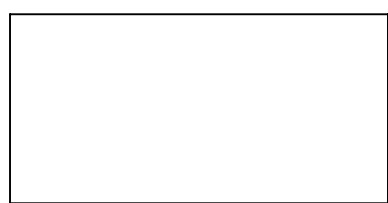
LOCK WASHER



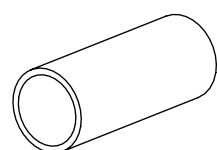
50 SET PER BAG



CONTACT



50 SET PER BAG



CRIMP TUBE



50 SET PER BAG

FUNCTIONAL SYMBOLS	THIS DRAWING CONTAINS INFORMATION THAT IS PROPRIETARY TO MOLEX ELECTRONIC TECHNOLOGIES, LLC AND SHOULD NOT BE USED WITHOUT WRITTEN PERMISSION												
	DIMENSION UNITS	SCALE	CURRENT REV DESC: EWR # 15667-A : ADDED -0266							<b>molex</b>			
	$\frac{F}{A} = 0$	MM/INCH NTS	PART NO										
	GENERAL TOLERANCES (UNLESS SPECIFIED)										SMA JACK STR BKHD RM FOR RG316/RG174 SMA-JC		
$\frac{E}{C} = 0$	ANGULAR TOL ± °		EC NO: 738061										
$\frac{E}{P} = 0$	4 PLACES ±		DRWN: JSU18				2023/02/08						
DIVISIONAL SYMBOLS	3 PLACES ±		CHK'D: YCHENG				2023/02/21		PRODUCT CUSTOMER DRAWING				
	2 PLACES ±		APPR: YCHENG				2023/02/21		DOCUMENT NUMBER				
	1 PLACE ±		INITIAL REVISION:				2007/04/09		SD-73391-026				
	0 PLACES ±		DRWN: AROBERTSON				2007/04/09		DOC TYPE DOC PART REVISION				
DRAFT WHERE APPLICABLE MUST REMAIN WITHIN DIMENSIONS		THIRD ANGLE PROJECTION		DRAWING		SERIES		MATERIAL NUMBER		CUSTOMER		SHEET NUMBER	
				C-SIZE		73391		GENERAL MARKET		3 OF 3			

DOCUMENT STATUS	P1	RELEASE DATE	2023/02/21	04:15:15
-----------------	----	--------------	------------	----------