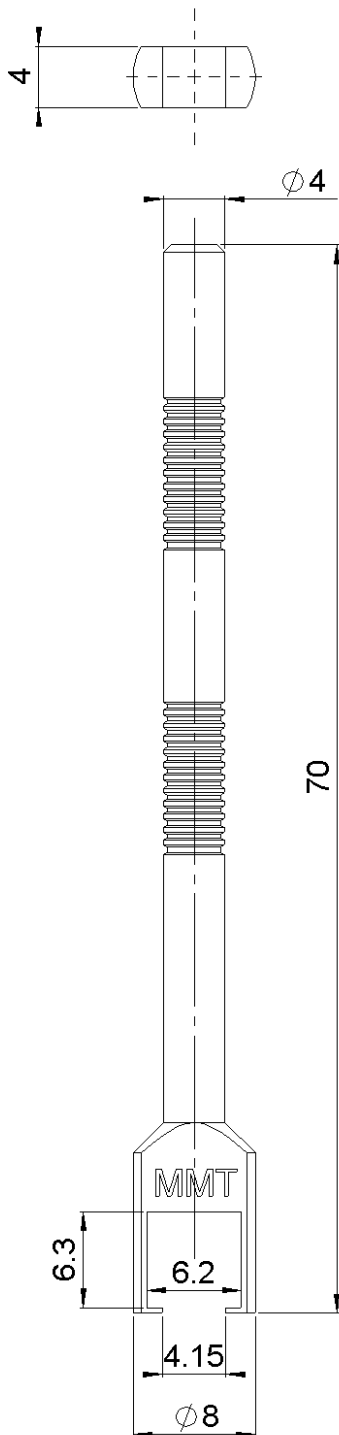


EXTRACTING TOOL TYPE MMT

R282.868.040

Series : MMT

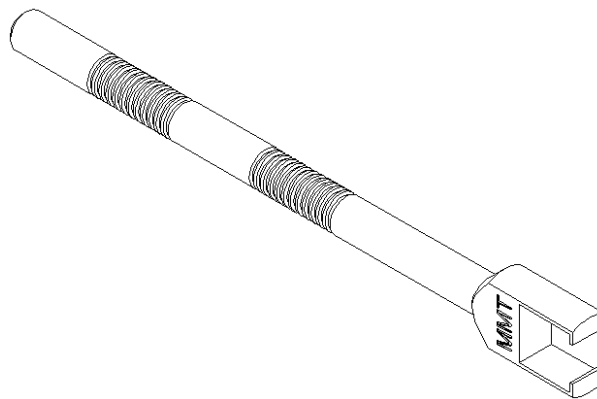
*** EXTRACTION TOOL FOR MMT PLUGS**



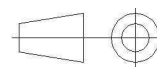
MATERIAL: ALU

PLATING : BLACK ANODISATION

WEIGHT : 2.5 g



All dimensions are in mm.



Issue : 0848 A

In the effort to improve our products, we reserve the right to make changes judged to be necessary.

