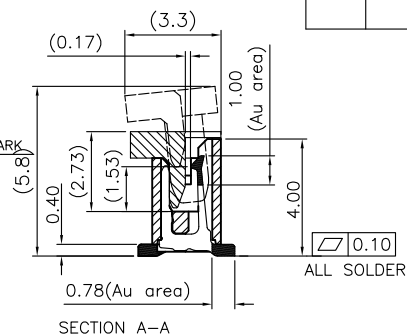
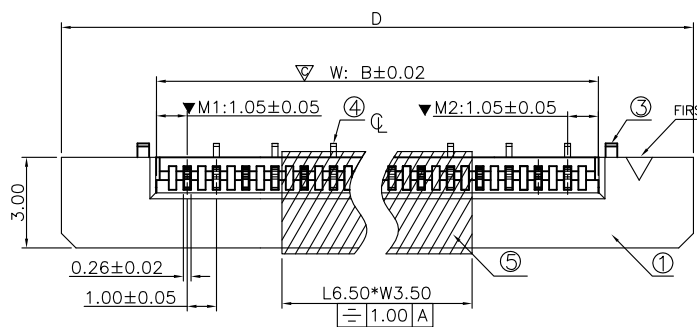


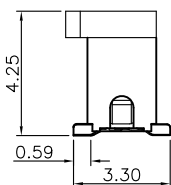
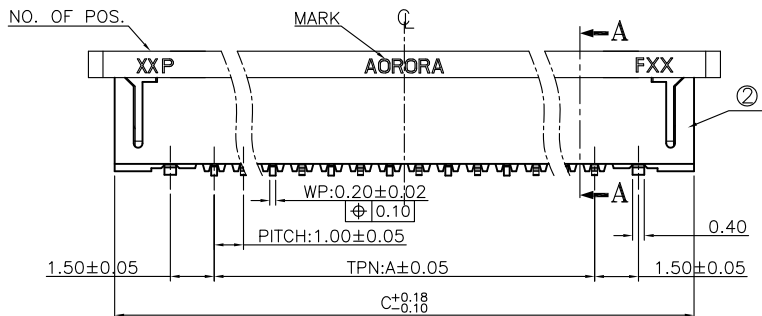
This document is the property of Amphenol Aorora Corporation and is delivered on the express condition that it is not to be disclosed, reproduced or used, in whole or in part, for manufacture or sale by anyone other than Amphenol Aorora Corporation without its prior consent, & that no right is granted to disclose or to use any information in this document.

REV.	ECR/ECN No.	DESCRIPTION	DRAWN/DATE	CHECKED/DATE	APPROVED/DATE
A	/	New Version	May 2015-07-10	Rain 2015-07-10	Hongkui.liu 2015-07-10

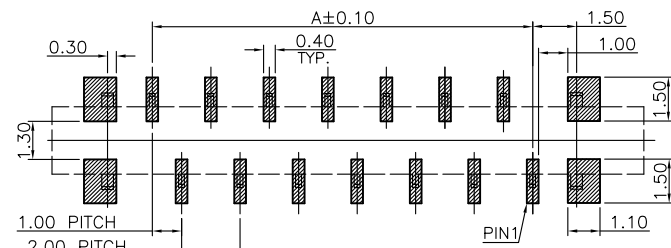
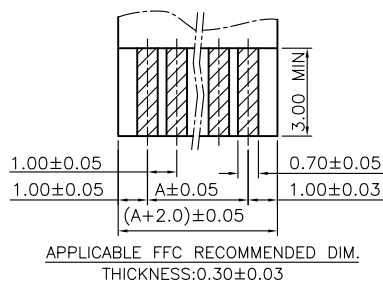
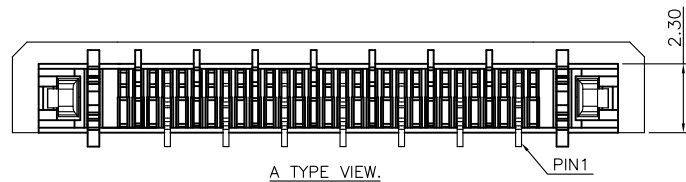
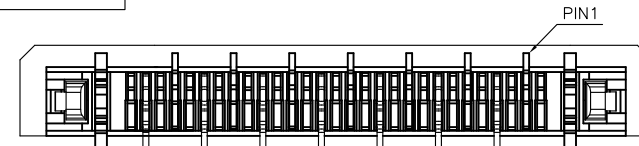


NO.	COMPONENTS	MATERIALS	SPECIFICATION:FINISH/COLOR	QTY.
1	SLIDER	GLASS FILLED PA9T, UL94V-0	BLACK	1
2	HOUSING	GLASS FILLED LCP, UL94V-0	NATURAL	1
3	ANCHOR-PLATE	BRASS, T=0.40mm	SURFACE PLATING:2~5 um Sn UNDER PLATING:1~3 um Ni	2
4	CONTACT	PHOSPHOR BRONZE, T=0.20mm	SURFACE PLATING:SEE "NOTE" UNDER PLATING:1~3 um Ni	N
5	MYLAR	T=0.10mm 耐高温	YELLOW	1

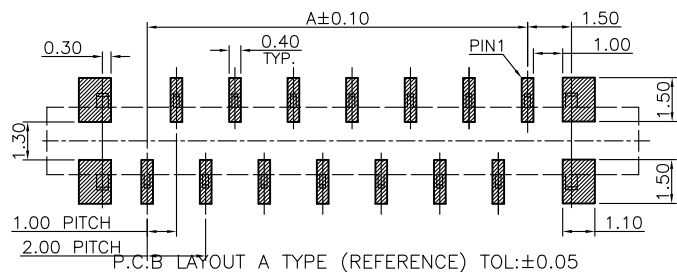
NOTE:
 1.ALL MATERIAL MUST BE COMPLY WITH SS-00259/RoHS.
 2."▼" MARK IS IMPORTANT DIMENSIONS
 3."▽" MARK IS CPK AND X-R DIMENSION
 4.PART NO. LEGEND:
 F5**-1A7*1-110**



1Z:WITH MYLAR(A TYPE)
 1Y:WITH MYLAR(B TYPE)
 1W:NO MYLAR(A TYPE)
 1X:NO MYLAR(B TYPE)
 7H:PHOSPHOR BRONZE 0.05um MIN Au(Au Area)
 7A:PHOSPHOR BRONZE MATTER TIN



P.C.B LAYOUT B TYPE (REFERENCE) TOL:±0.05



P.C.B LAYOUT A TYPE (REFERENCE) TOL:±0.05

DIMENSION LIST:

NO. OF POS.	UNLESS OTHERWISE SPECIFIED TOLERANCES			
	A	B	C	D
4	3.00	5.10	9.80	11.60
5	4.00	6.10	10.80	12.60
6	5.00	7.10	11.80	13.60
7	6.00	8.10	12.80	14.60
8	7.00	9.10	13.80	15.60
9	8.00	10.10	14.80	16.60
10	9.00	11.10	15.80	17.60
11	10.00	12.10	16.80	18.60
12	11.00	13.10	17.80	19.60
13	12.00	14.10	18.80	20.60
14	13.00	15.10	19.80	21.60

UNLESS OTHERWISE SPECIFIED TOLERANCES		ANGLE OF PROJECTION	
X.	±0.50		± 1'
X.X	±0.30		
X.XX	±0.20	X.X	± 0.5'
X.XXX	±0.10	X.XX	± 0.5'
LINEAR DIMS		ANGLES DIMS	
P/N: F5**-1A7H1-110**			
MATERIAL	SEE NOTES		
FINISHED	SEE NOTES		

DOC TYPE	Customer Drw	DATE	May 2015-07-10
DRAWN		DATE	May 2015-07-10
DESIGN		DATE	May 2015-07-10
CHECKED	Rain	DATE	2015-07-10
APPROVED	Hongkui.liu	DATE	2015-07-10

Amphenol AORORA
 Amphenol Aorora Technology (Huizhou) Co.,Ltd

TITLE: FPC P1.0 4-14PIN VERTICAL SMT TYPE

SIZE: A4 DWG NO. A-S0154 REV. A

SCALE: 1:1 UNIT: mm SHEET 1 OF 1