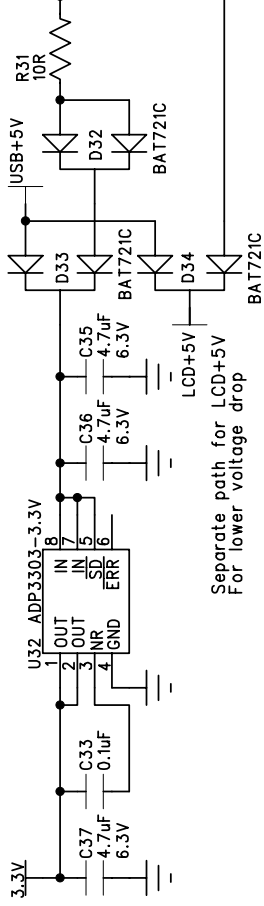


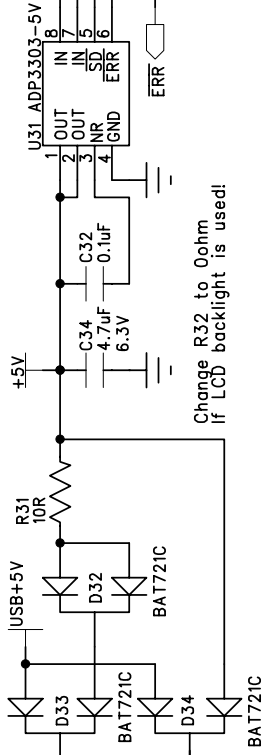
DVDD 3.3V REGULATOR

DVdd auto selection.
The extra diode makes USB+5V
the preferred source for uC 3.3V

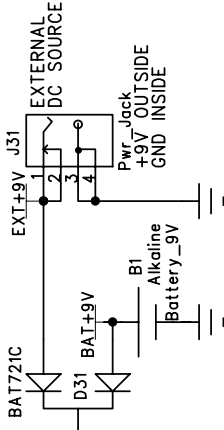


AVDD 5.0V REGULATOR

Change R32 to 0ohm
if LCD backlight is used!

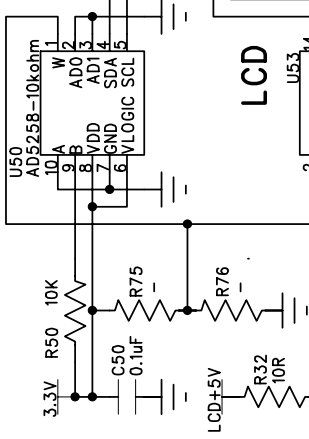


9V DC SOURCE

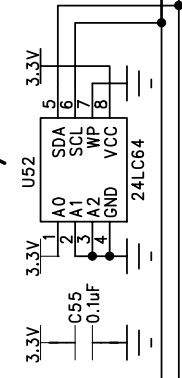


LCD CONTRAST

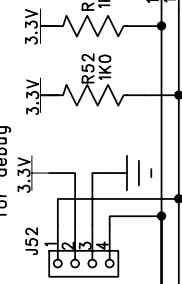
Separate path for LCD+5V
For lower voltage drop



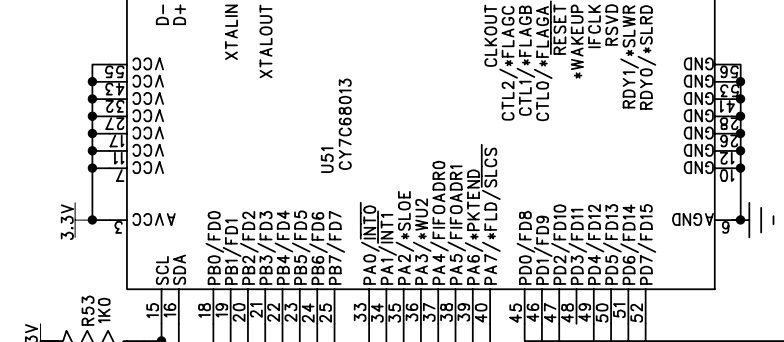
EEPROM-SW/USB ID



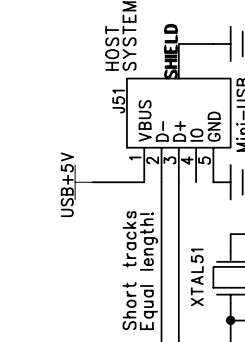
I2C connector for debug



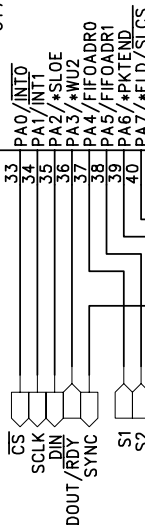
USB CONTROLLER



USB INTERFACE



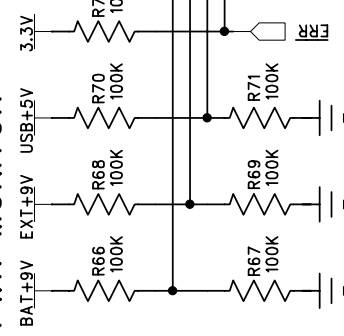
ADC SERIAL INTERFACE



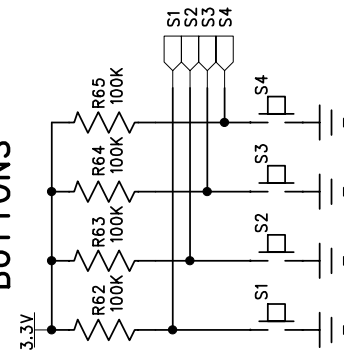
BUTTONS



PWR MONITOR

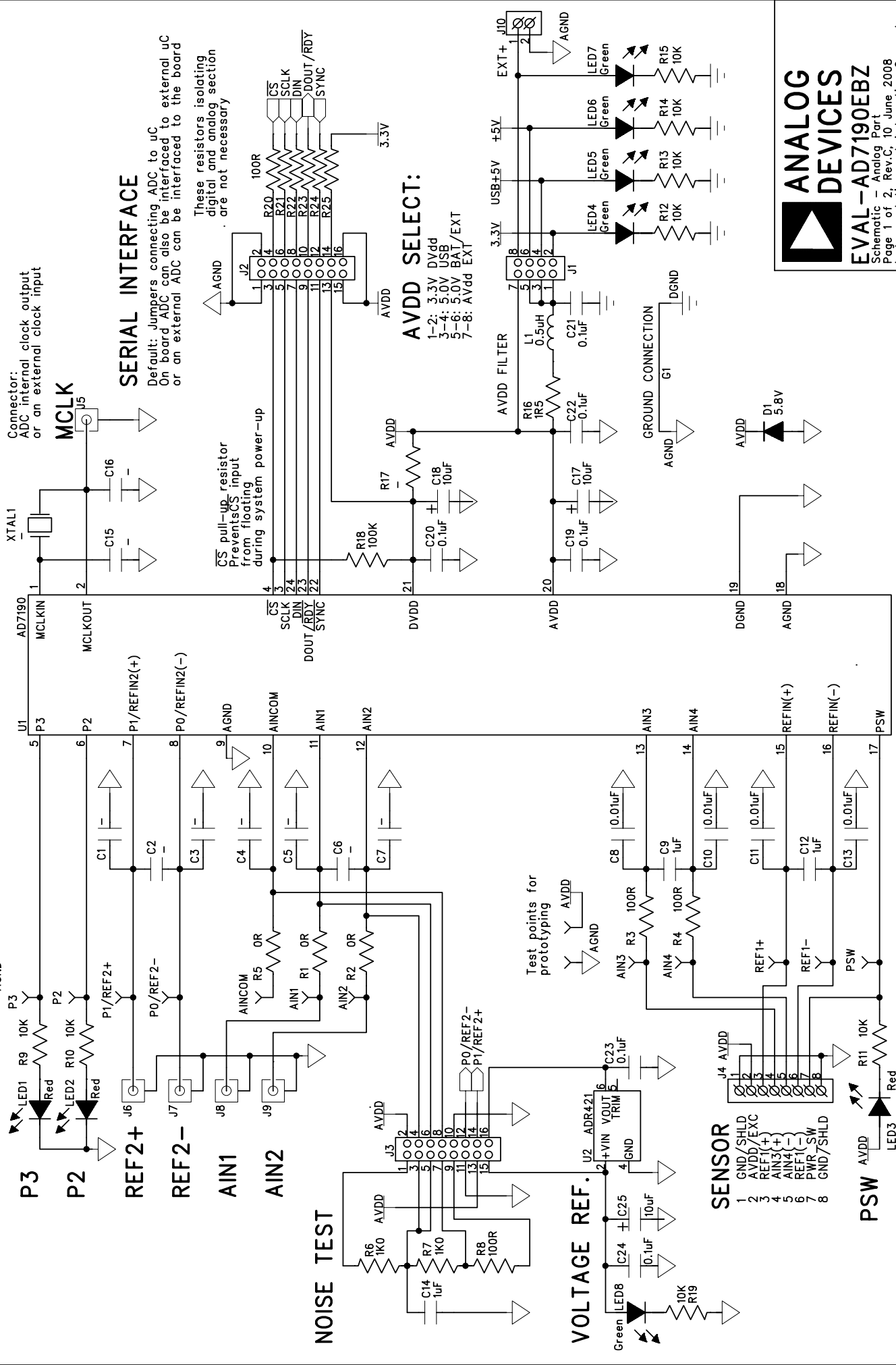


BUTTONS



ANALOG DEVICES
EVAL-AD7190EBZ
 Schematic - Digital Part
 Page 2 of 2, Rev.C, 10 June 2008
 Instrumentation and Automotive Converters

AD7190



Connector:
ADC internal clock output
or an external clock input

MCLK

SERIAL INTERFACE

Default: Jumpers connecting ADC to uC
On board ADC can also be interfaced to external uC
or an external ADC can be interfaced to the board

These resistors isolating
digital and analog section
are not necessary

CS pull-up resistor
Prevents CS input
during system power-up

AVDD SELECT:

- 1-2: 3.3V DVdd
- 3-4: 5.0V USB
- 5-6: 5.0V BAT/EXT
- 7-8: AVdd EXT

SENSOR

- 1 GND/SHLD
- 2 AVDD/EXC
- 3 REF1(+)
- 4 AIN3(+)
- 5 AIN4(-)
- 6 REF1(-)
- 7 PWR_SW
- 8 GND/SHLD



EVAL-AD7190EBZ
Schematic - Analog Part
Page 1 of 2, Rev.C, 10 June 2008
Instrumentation and Automotive Converters