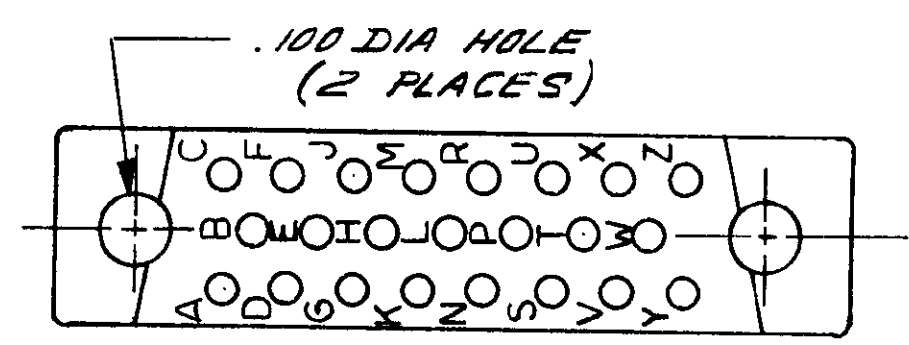
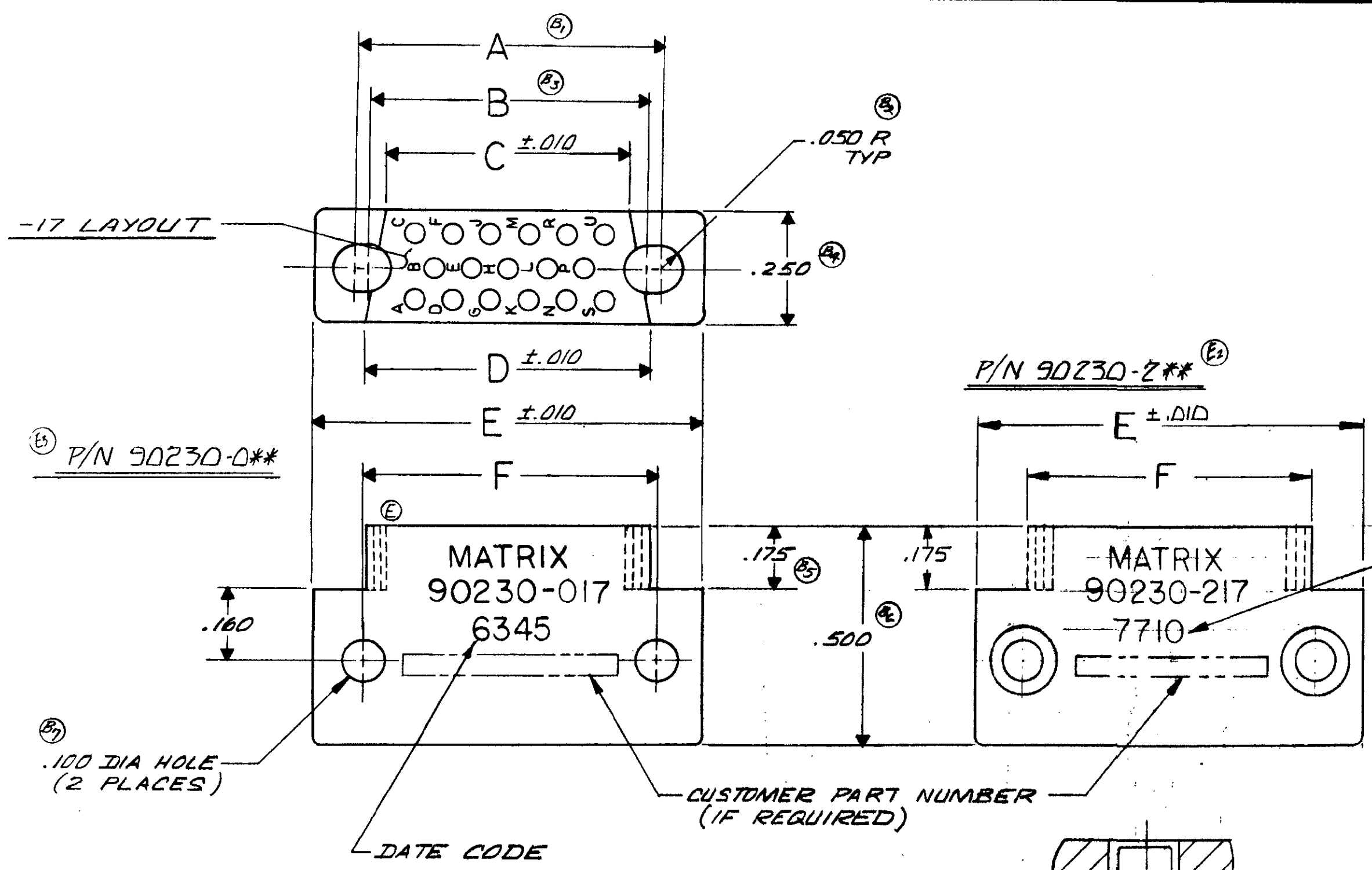
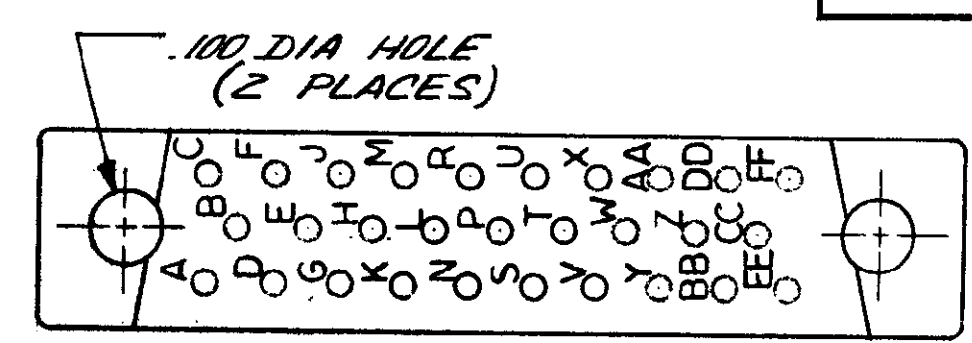


REVISIONS			
ITEM	DESCRIPTION	DATE	APPROVAL
A	REDRAWN FOR CLARITY & ADDITIONAL INFORMATION PER DCR 2356	5/10/69	WEH
B	REVISED PER DCR 2365	5/22/69	WEH
C	REVISED PER DCR 2380	5/22/69	WEH
D	REVISED PER DCR 2755	12/7/69	WEH
E	REVISED PER DCR 4534	4-1-77	WEH
F	REVISED PER DCR 7734	8/3/80	WEH

CUSTOMER DRAWING



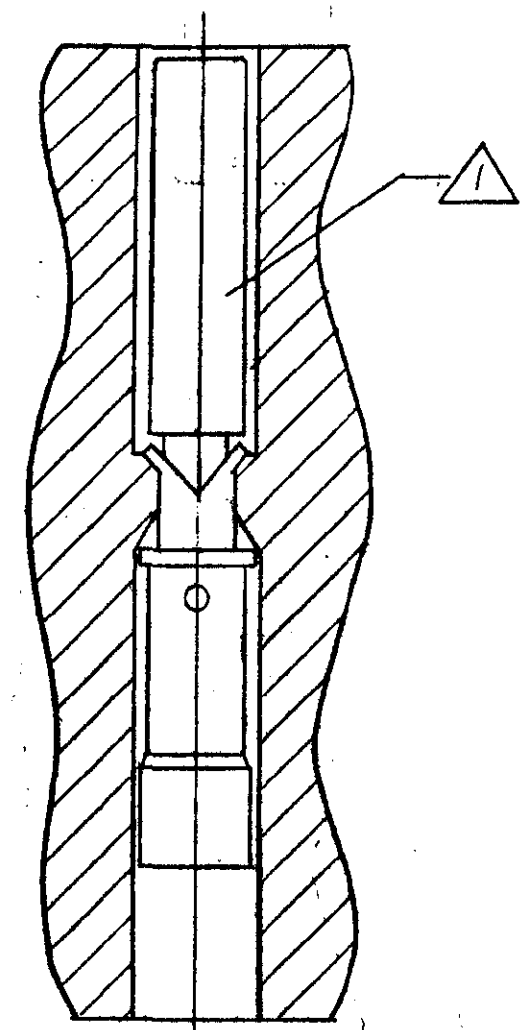
-23 LAYOUT



-29 LAYOUT

90230-***F

MATRIX PART NO.	A	B	C	D	E	F
90230-*17	.687	.625	.500	.600	.875	.656
90230-*23	N/A	.814	.689	.789	1.031	.814
90230-*29	N/A	.982	.857	.957	1.200	.982



(E) EXPLANATION OF PART NO.
 90230-217
 LAYOUT & QTY OF CONTACTS
 STYLE

CUSTOMER USE DRAWING

- FOR ALTERNATE POLARIZING USE MATRIX PART 6400-009-222 POLARIZING SOCKET.
- THIS CONNECTOR MATES WITH MATRIX PART 90231-***.
- FOR SOCKET CONTACTS SEE CUSTOMER USE DWGS 5100-017-22 (22-26 AWG.)
- RECOMMENDED ASSEMBLY TOOLS:
 (A) CONTACT INSERTION: 30-0001-022
 (B) CONTACT REMOVAL: 30-0002-022
 (C) CONTACT CRIMPING:
 DANIELS MS-3198-1 LOCATOR A101
 DANIELS MH-782 LOCATOR A101
 DANIELS MH-760 LOCATOR P101
 BUCHANAN 11331 POSITIONER 612112
 BUCHANAN 612118 LOCATOR 612593
 (D) RECOMMENDED WIRE STRIP LENGTH 3/32 INCH APPROX.

SOCKET CONTACTS SHOWN INSTALLED ARE PACKAGED SEPARATELY & SUPPLIED WITH CONNECTOR.

NOTES: UNLESS OTHERWISE SPECIFIED

ITEM	DESCRIPTION	REQD	PART NUMBER
LIST OF MATERIALS			
1	CONNECTOR, RECEPTACLE RECTANGULAR CRIMP-REMOVABLE SOCKET CONTACTS SIZE 22		90230-***F
2	MATERIAL DIALYL PLATE PER MIL-M-14F TYPE SDG-F (GREEN)		
3	FINISH		
4	THIS COMPANY AND DRAWINGS, SKETCHES AND SPECIFIC PLANS ARE THE PROPERTY OF MATRIX SCIENCE CORPORATION AND NO PARTS THEREOF MAY BE REPRODUCED OR USED WITHOUT THE WRITTEN CONSENT OF THE OWNER.		
MATERIAL: DIALYL PLATE PER MIL-M-14F TYPE SDG-F (GREEN)		FINISH: NONE	QTY: 1
UNLESS OTHERWISE SPECIFIED DIMENSIONS ARE IN INCHES TOLERANCES			
DECIMALS	XXX.010		
XXX.000	XXX.000		