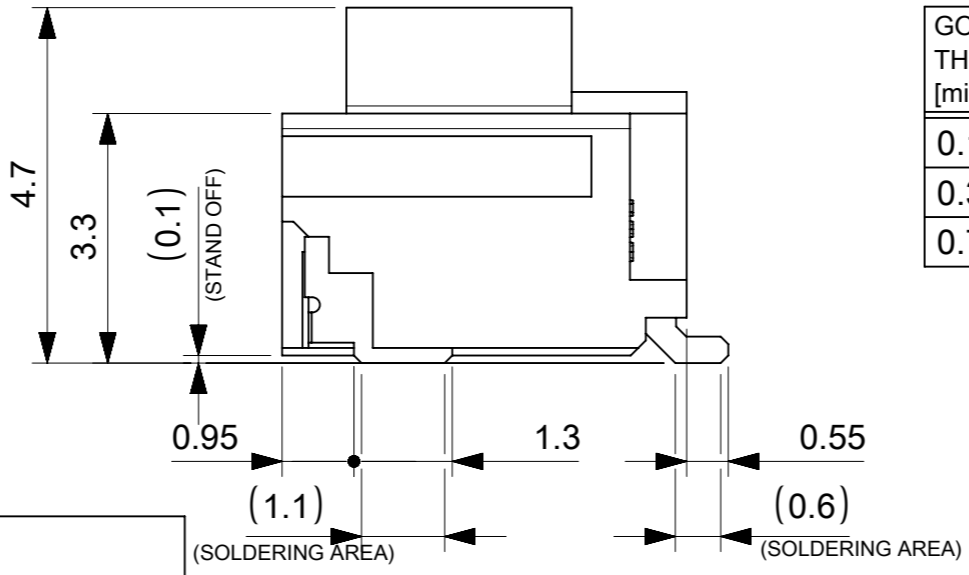


NOTES

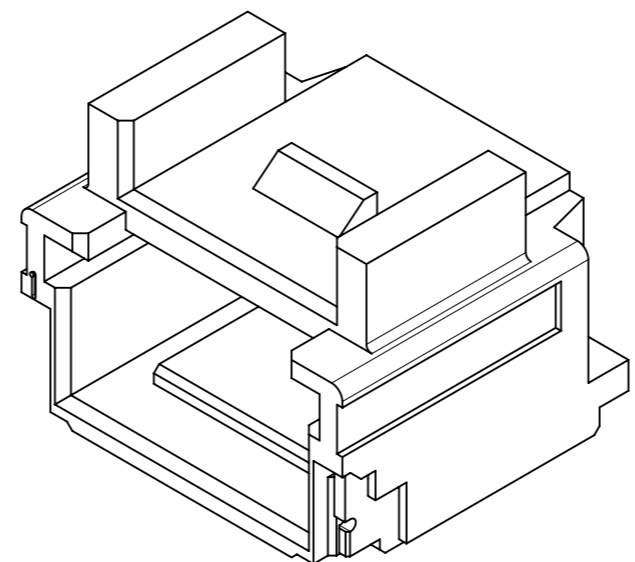
- ①材料及び仕上げ(めっき仕様) : TABLE 1 参照
MATERIAL AND FINISHES : SEE TABLE 1
- 2. 製品仕様書 : PS-501940-001
PRODUCT SPECIFICATION:
- 3. 梱包形態 : SEE SHEET 3
PACKAGING INFORMATION:
- ④嵌合相手 : 501939 シリーズ
MATES WITH:501939 SERIES
- 5. アプリケーション仕様書(コネクタ取扱い説明書) : 5013300000-AS A00(JAPANESE)/-A01(ENGLISH)
APPLICATION SPECIFICATION(CONNECTOR MANUAL):
- 6. ソルダーピン及びネイルの平坦度:0.1 MAX.
SOLDER PIN AND NAIL COPLANARITY: 0.1 MAX.
- ⑦偶数極に適応
APPLY FOR EVEN CIRCUIT
- 8. 本製品は錫めっき品である。金めっき品は以下の図面を御参照下さい。
THIS PRODUCT IS A TIN PLATING. PLEASE REFER TO THE FOLLOWING DRAWING FOR GOLD PLATING VERSION.



GOLD PLATING THICKNESS [micro-meter MIN.]	SERIES No.	DRAWING No.
0.1	501953 **05	5019530001-SD PSD 000
0.38	203562 **05	2035620000-SD PSD 000
0.76	203563 **05	2035630000-SD PSD 000

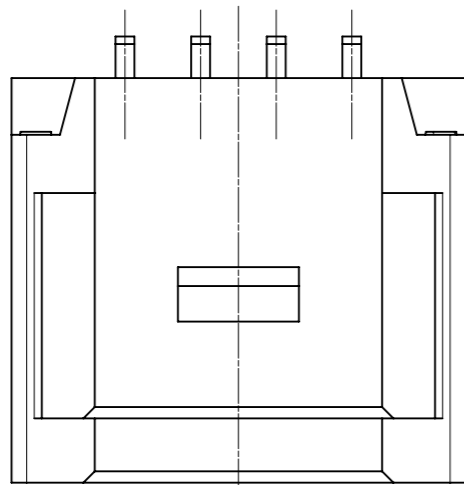
3.4	5.2	4.0	7.0	5
		3.0	6.0	4
2.4	4.2	2.0	5.0	3
D	C	B	A	極数 CIRCUIT SIZE

番号 NO.	部品 PART	材質 MATERIAL	
①	ウエハー WAFER	ポリアミド(PA), UL94V-0, 色 : SEE SHEET 5 POLYAMIDE(PA), UL94V-0, COLOR : SEE SHEET 5	
②	ソルダーピン SOLDER PIN	リン青銅 PHOSPHOR BRONZE	
		接点部 CONTACT AREA	錫めっき : 1.0 MICRO-METER MIN. MATTE TIN PLATING
		テール部 TAIL AREA	錫めっき : 1.0 MICRO-METER MIN. MATTE TIN PLATING
	下地めっき UNDER PLATING	ニッケルめっき : 1.0 MICRO-METER MIN. NICKEL	
③	ネイル NAIL	黄銅 BRASS	
		テール部 TAIL AREA	錫めっき : 1.0 MICRO-METER MIN. MATTE TIN PLATING
		下地めっき UNDER PLATING	ニッケルめっき : 1.0 MICRO-METER MIN. NICKEL



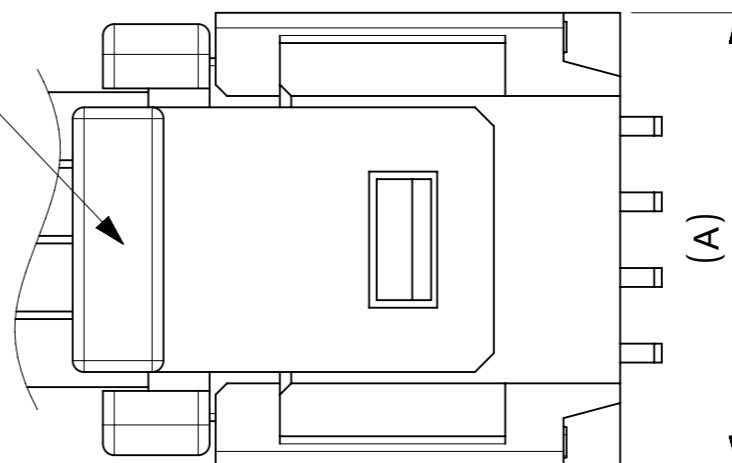
THIS DRAWING CONTAINS INFORMATION THAT IS PROPRIETARY TO MOLEX ELECTRONIC TECHNOLOGIES, LLC AND SHOULD NOT BE USED WITHOUT WRITTEN PERMISSION

DIMENSION UNITS mm	SCALE NTS	CURRENT REV DESC:		molex		
GENERAL TOLERANCES (UNLESS SPECIFIED)		EC NO: 614802				
ANGULAR TOL ± 3.0°	4 PLACES ± 0.2	DRWN: AISHIKAWA	2019/03/14	SINGLE ROW RA SMT OUTER LOCK TIN PLATING		
3 PLACES ± 0.2	2 PLACES ± 0.2	CHK'D: AIDA	2019/04/03	PRODUCT CUSTOMER DRAWING		
1 PLACE ± 0.2	0 PLACES ± 0.2	APPR: KOMURAKAMI	2019/04/03	DOCUMENT NUMBER		
DRAFT WHERE APPLICABLE MUST REMAIN WITHIN DIMENSIONS		INITIAL REVISION:		5019530000-SD		
THIRD ANGLE PROJECTION		DRWN: AISHIKAWA	2019/03/14	DOC TYPE	DOC PART	REVISION
DRAWING		APPR: KOMURAKAMI	2019/04/03	PSD	000	A
A3-SIZE		SERIES	501953	SHEET NUMBER		
MATERIAL NUMBER		CUSTOMER		1 OF 5		

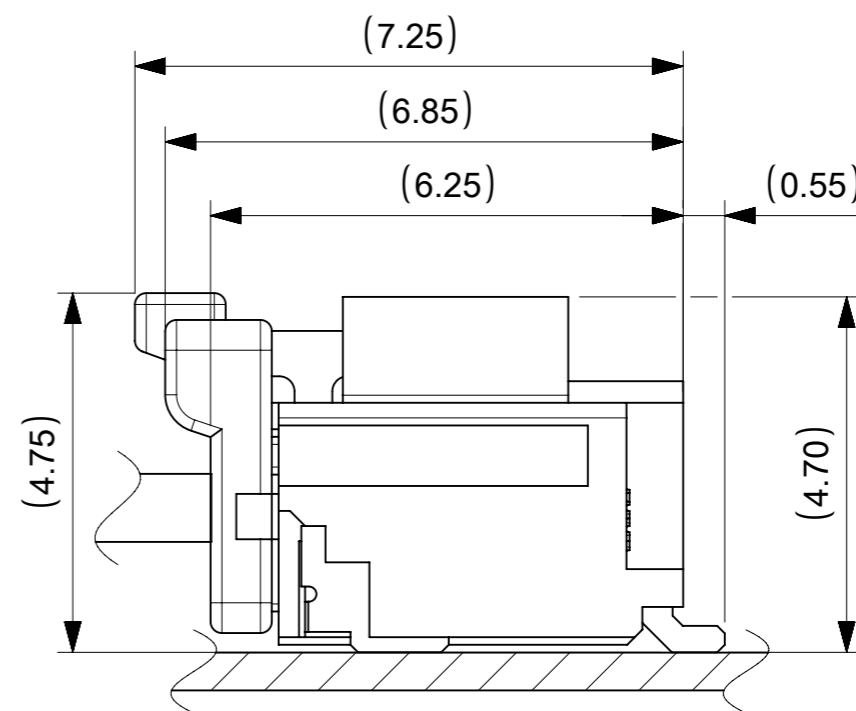
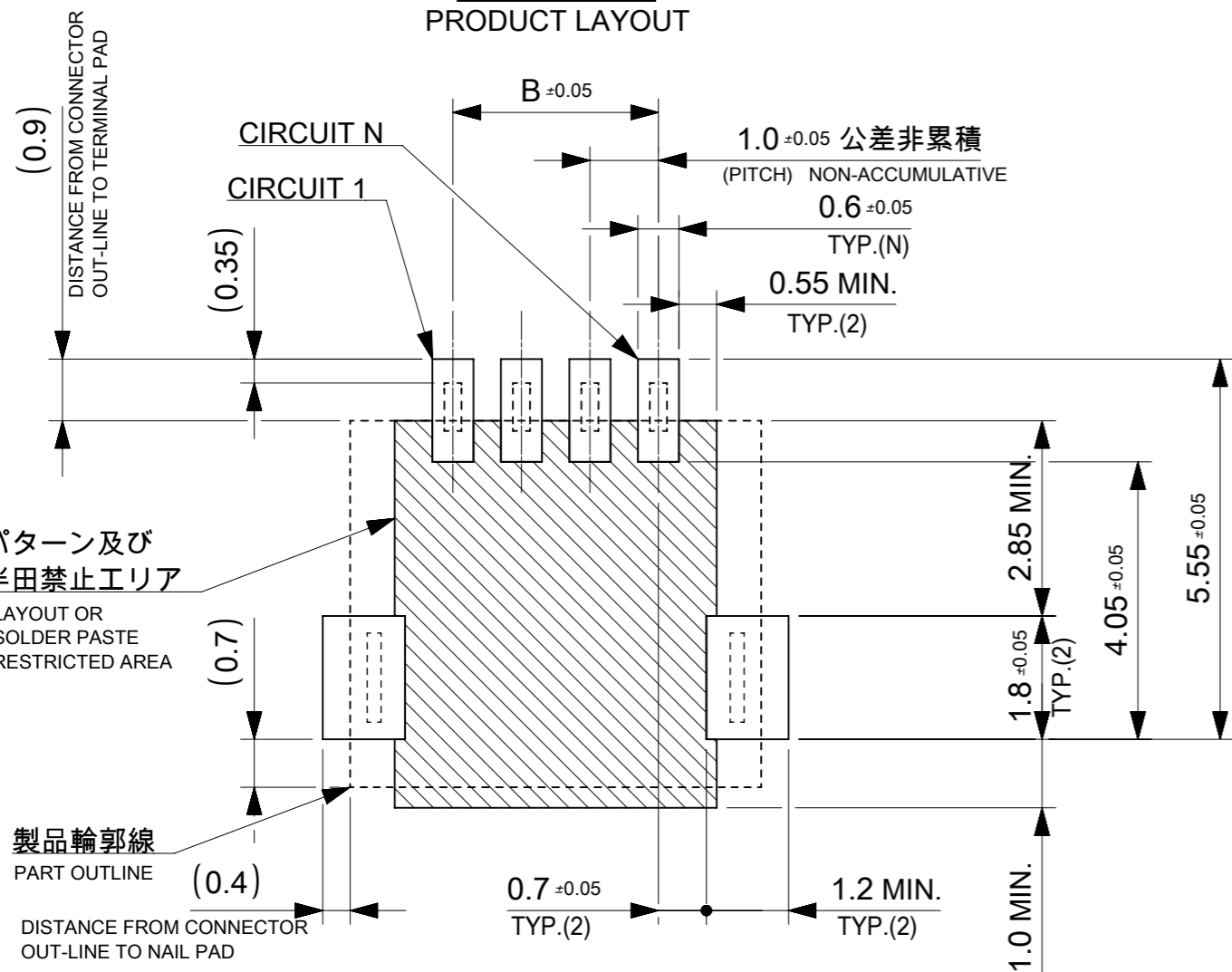


製品レイアウト
PRODUCT LAYOUT

△ 嵌合相手 : 501939シリーズ
MATE WITH: 501939 SERIES



(A)

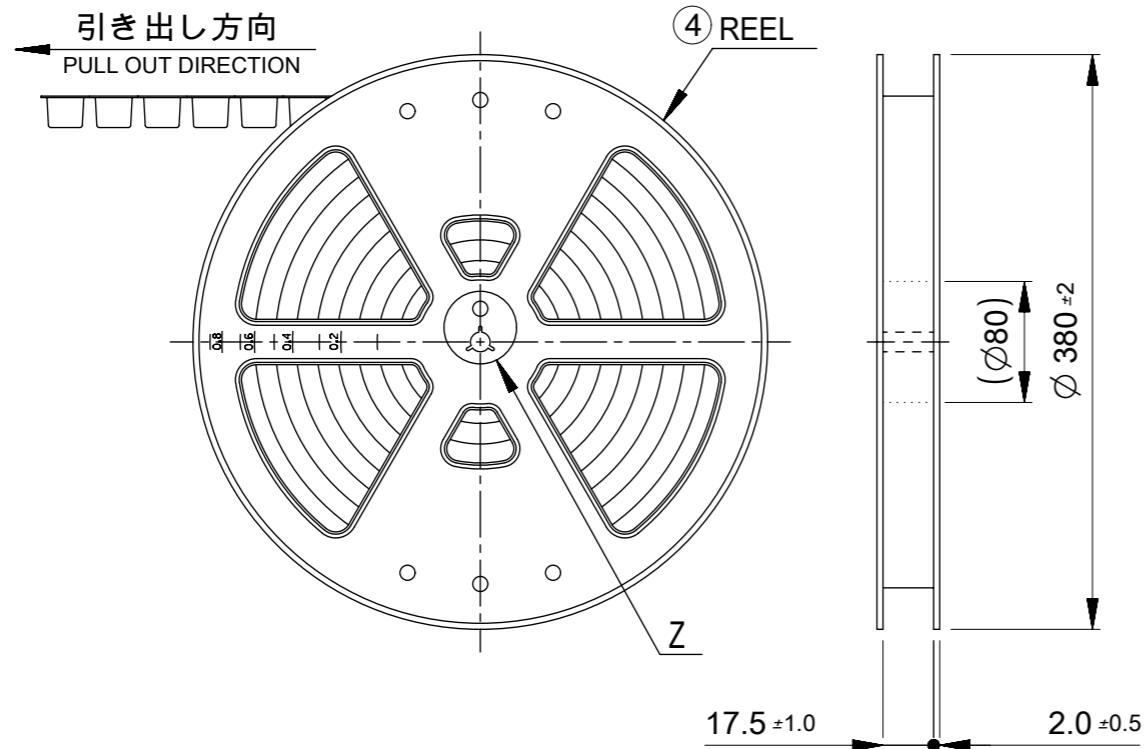


嵌合図
MATED CONNECTORS

推奨基板レイアウト(全極数適応) : 実装面側
 (参考 : 基板厚 1.0mm, メタルマスク厚さ 0.12mm, マスク開口率100%)
 POLARIZED RECOMMENDED PCB LAYOUT(APPLY TO ALL CIRCUITS) : COMPONENT SIDE
 (REFERENCE: PCB THICKNESS 1.0mm, STENCIL THICKNESS 0.12mm, APERTURE RATIO 100%)

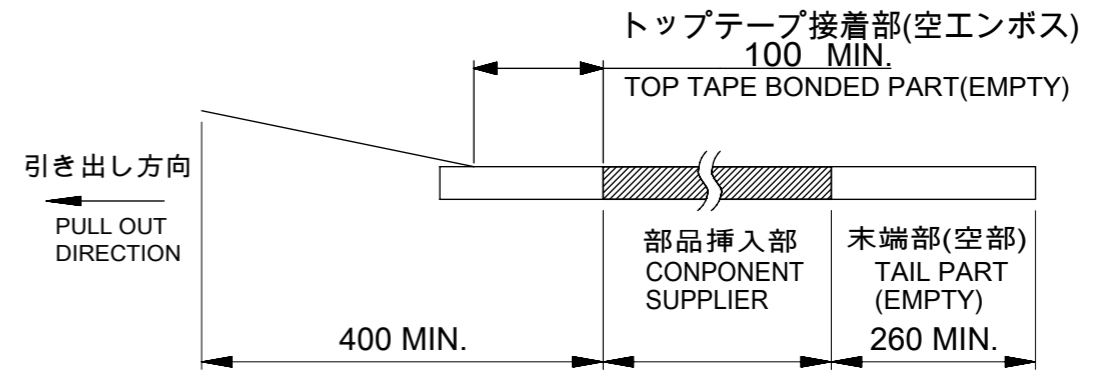
:パターン禁止エリア
RESTRICTED AREA
NO PCB COMPONENTS ALLOWED

THIS DRAWING CONTAINS INFORMATION THAT IS PROPRIETARY TO MOLEX ELECTRONIC TECHNOLOGIES, LLC AND SHOULD NOT BE USED WITHOUT WRITTEN PERMISSION		CURRENT REV DESC:		molex	
DIMENSION UNITS	SCALE				
mm	NTS			PICO-CLASP 1.0 W/B SINGLE ROW RA SMT OUTER LOCK TIN PLATING	
GENERAL TOLERANCES (UNLESS SPECIFIED)				PRODUCT CUSTOMER DRAWING	
ANGULAR TOL	± 3.0 °	EC NO:	614802	DOCUMENT NUMBER	5019530000-SD
4 PLACES	± 0.2	DRWN:	AISHIKAWA 2019/03/14	DOC TYPE	PSD
3 PLACES	± 0.2	CHK'D:	AIDA 2019/04/03	DOC PART	000
2 PLACES	± 0.2	APPR:	KOMURAKAMI 2019/04/03	REVISION	A
1 PLACE	± 0.2	INITIAL REVISION:			
0 PLACES	± 0.2	DRWN:	AISHIKAWA 2019/03/14		
DRAFT WHERE APPLICABLE MUST REMAIN WITHIN DIMENSIONS		APPR:	KOMURAKAMI 2019/04/03	MATERIAL NUMBER	SEE SHEET 5
THIRD ANGLE PROJECTION		DRAWING	A3-SIZE	SERIES	501953
		CUSTOMER		SHEET NUMBER	2 OF 5



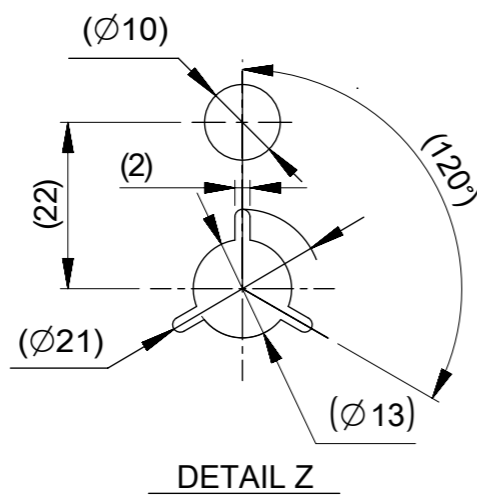
NOTES

- 9. 梱包数量:1300個/リール
NUMBER OF CONNECTORS : 1300 PIECES/REEL
- 10. リードテープ長さ
LEAD TAPE LENGTH



- 11. トップテープの剥離強度はIEC60286-3に準拠。
TOP TAPE PEELING FORCE IS DEFINED BY IEC60286-3.
- 12. 梱包仕様書 : SPK-501953-001
PACKAGE SPECIFICATION:

△13 発注番号 : SHEET 5 参照
ORDER No. : PLEASE REFER TO SHEET 5 FOR PRODUCT LIST.



501953

** ** *

極数 CIRCUIT SIZE	ハウジングカラー HOUSING COLOR	製品識別番号 IDENTIFICATION NUMBER
	0:NATURAL(BEIGE)	7:EMBOSSED PACKAGE

THIS DRAWING CONTAINS INFORMATION THAT IS PROPRIETARY TO MOLEX ELECTRONIC TECHNOLOGIES, LLC AND SHOULD NOT BE USED WITHOUT WRITTEN PERMISSION		CURRENT REV DESC:		molex	
DIMENSION UNITS mm	SCALE NTS				
GENERAL TOLERANCES (UNLESS SPECIFIED)		EC NO: 614802		PICO-CLASP 1.0 W/B	
ANGULAR TOL	± 3.0 °	DRWN: AISHIKAWA	2019/03/14	SINGLE ROW RA SMT OUTER LOCK TIN PLATING	
4 PLACES	± 0.2	CHK'D: AIDA	2019/04/03	PRODUCT CUSTOMER DRAWING	
3 PLACES	± 0.2	APPR: KOMURAKAMI	2019/04/03	DOCUMENT NUMBER	
2 PLACES	± 0.2	INITIAL REVISION:		5019530000-SD	
1 PLACE	± 0.2	DRWN: AISHIKAWA	2019/03/14	DOC TYPE	DOC PART
0 PLACES	± 0.2	APPR: KOMURAKAMI	2019/04/03	PSD	000
DRAFT WHERE APPLICABLE MUST REMAIN WITHIN DIMENSIONS		THIRD ANGLE PROJECTION	DRAWING	SERIES	SHEET NUMBER
			A3-SIZE	501953	3 OF 5
		MATERIAL NUMBER	CUSTOMER	REVISION	
		SEE SHEET 5		A	

番号 NO.	部品 PART	材質 MATERIAL
④	リール REEL	ポリスチレン(PS) <リサイクル材を含む> POLYSTYRENE(PS) <RECYCLE MATERIAL CONTAINED>
DOCUMENT STATUS	P1	RELEASE DATE 2019/04/03 09:48:47

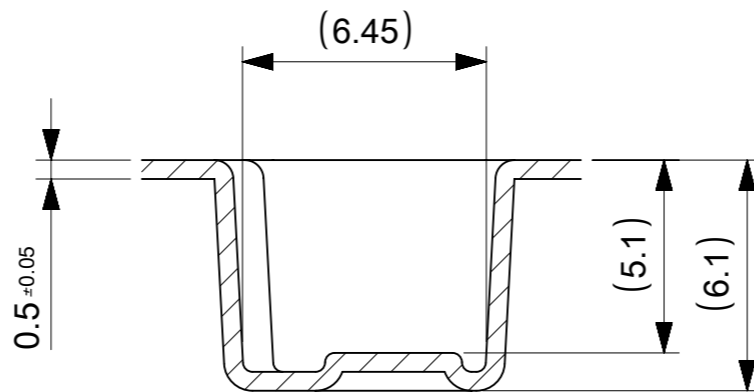
引き出し方向
PULL OUT DIRECTION

16mm幅テープ
TAPE WIDTH:16mm

CIRCUIT 1

累積ピッチ 40±0.2
ACUUMLATIVE PITCH:

(2.0) エンボスポケット中心位置
CENTER OF EMBOSSED POCKET



SECTION X-X

(D) コネクタ中心位置
CENTER OF CONNECTOR

(E)

1.75±0.1

∅1.5^{+0.1}_{0.0}

⑥ TOP TAPE

CONNECTOR

⑤ CARRIER TAPE

SECTION Y-Y

7.3	7.5	5
6.3		4
5.3		3
E	コネクタ中心位置 D SENTER OF CONNECTOR	極数 CIRCUIT SIZE

THIS DRAWING CONTAINS INFORMATION THAT IS PROPRIETARY TO MOLEX ELECTRONIC TECHNOLOGIES, LLC AND SHOULD NOT BE USED WITHOUT WRITTEN PERMISSION		CURRENT REV DESC:		molex		
DIMENSION UNITS	SCALE	EC NO: 614802				
mm	NTS	DRWN: AISHIKAWA 2019/03/14		SINGLE ROW RA SMT OUTER LOCK TIN PLATING		
GENERAL TOLERANCES (UNLESS SPECIFIED)		CHK'D: AIDA 2019/04/03		PRODUCT CUSTOMER DRAWING		
ANGULAR TOL	± 3.0°	APPR: KOMURAKAMI 2019/04/03		DOCUMENT NUMBER		
4 PLACES	± 0.2	INITIAL REVISION:		5019530000-SD		
3 PLACES	± 0.2	DRWN: AISHIKAWA 2019/03/14		DOC TYPE		
2 PLACES	± 0.2	APPR: KOMURAKAMI 2019/04/03		PSD		
1 PLACE	± 0.2	MATERIAL NUMBER		000		
0 PLACES	± 0.2	CUSTOMER		A		
DRAFT WHERE APPLICABLE MUST REMAIN WITHIN DIMENSIONS		THIRD ANGLE PROJECTION	DRAWING	SERIES	MATERIAL NUMBER	SHEET NUMBER
			A3-SIZE	501953	SEE SHEET 5	4 OF 5

番号 NO.	部品 PART	材質 MATERIAL
⑤	キャリアテープ CARRIER TAPE	ポリプロピレン(PP)、その他 POLYPROPYLEN(PP), etc
⑥	トップテープ TOP TAPE	ポリエチレン(PE)、その他 POLYETHYLENE(PE), etc

DOCUMENT STATUS	P1	RELEASE DATE	2019/04/03	09:48:47
-----------------	----	--------------	------------	----------

9 8 7 6 5 4 3 2 1

E

E

D

D

C

C

B

B

A

A

13 製品一覧 PRODUCT LIST

HOUSING COLOR	
NATURAL(BEIGE)	
501953 0507	5
501953 0407	4
501953 0307	3
発注番号 ORDER No.	極数
梱包形態 : エンボスリール PACKAGE:EMBOSSED REEL	CIRCUIT SIZE

THIS DRAWING CONTAINS INFORMATION THAT IS PROPRIETARY TO MOLEX ELECTRONIC TECHNOLOGIES, LLC AND SHOULD NOT BE USED WITHOUT WRITTEN PERMISSION											
DIMENSION UNITS	SCALE	CURRENT REV DESC:					molex				
mm	NTS										
GENERAL TOLERANCES (UNLESS SPECIFIED)		EC NO: 614802					PICO-CLASP 1.0 W/B				
ANGULAR TOL	± 3.0 °	DRWN: AISHIKAWA 2019/03/14					SINGLE ROW RA SMT OUTER LOCK TIN PLATING				
4 PLACES	± 0.2	CHK'D: AIDA 2019/04/03					PRODUCT CUSTOMER DRAWING				
3 PLACES	± 0.2	APPR: KOMURAKAMI 2019/04/03					DOCUMENT NUMBER				
2 PLACES	± 0.2	INITIAL REVISION:					5019530000-SD				
1 PLACE	± 0.2	DRWN: AISHIKAWA 2019/03/14					DOC TYPE		DOC PART		REVISION
0 PLACES	± 0.2	APPR: KOMURAKAMI 2019/04/03					PSD		000		A
DRAFT WHERE APPLICABLE MUST REMAIN WITHIN DIMENSIONS		THIRD ANGLE PROJECTION		DRAWING	SERIES	MATERIAL NUMBER		CUSTOMER		SHEET NUMBER	
				A3-SIZE	501953	SEE SHEET 5				5 OF 5	

DOCUMENT STATUS	P1	RELEASE DATE	2019/04/03	09:48:47
-----------------	----	--------------	------------	----------

9 8 7 6 5 4 3 2 1

FORMAT: master-ib-prod-A3
REVISION: 11
DATE: 2018/01/18