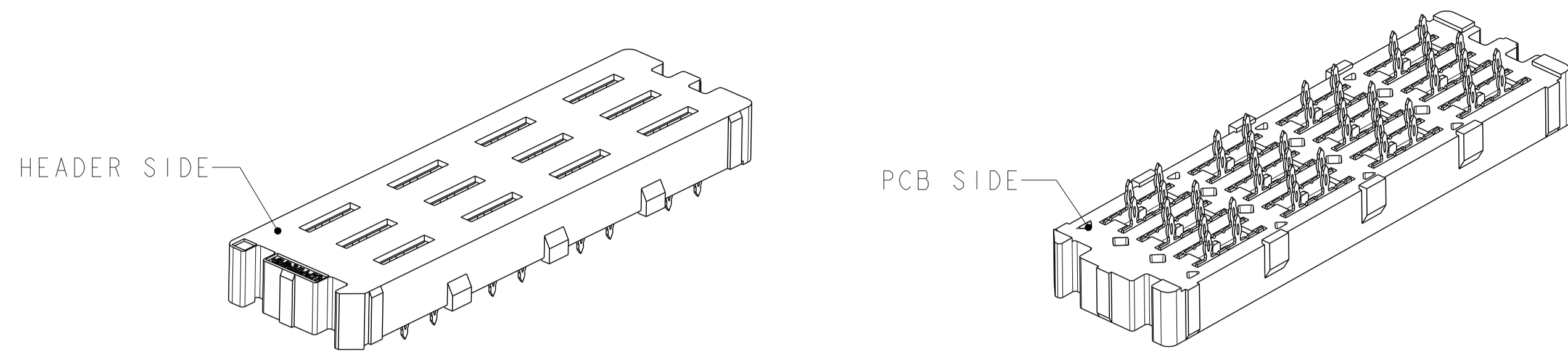
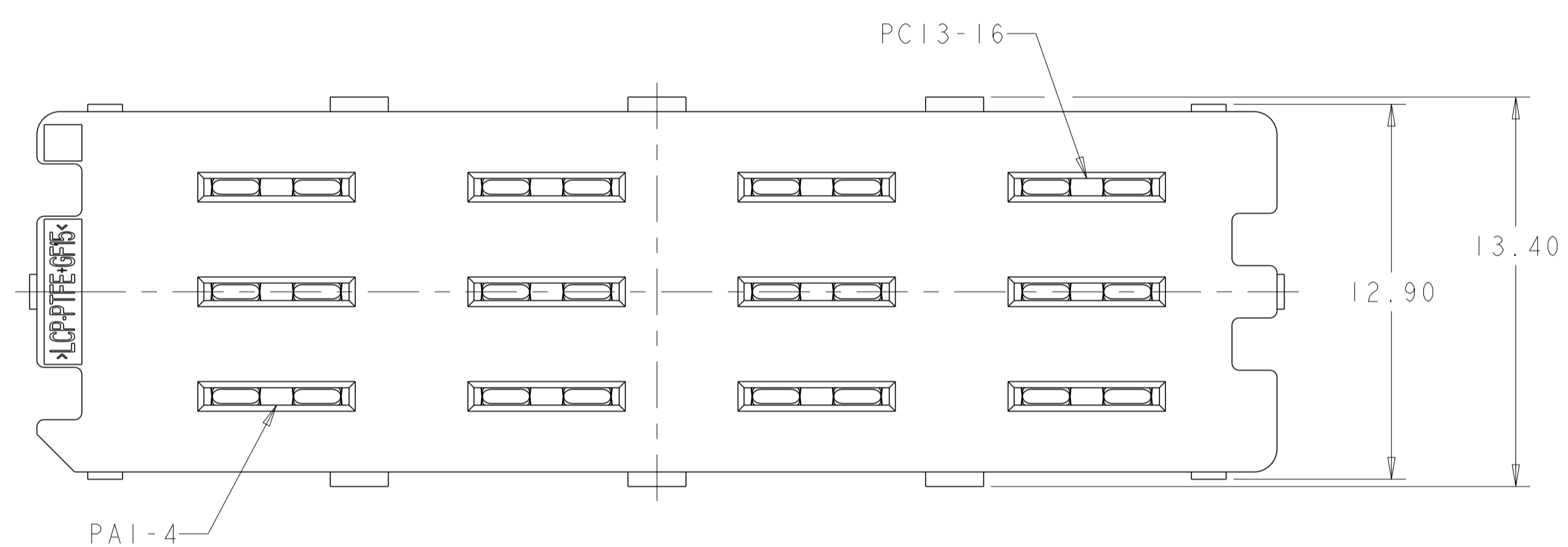


LOC	DIST	REVISIONS					
GP	00	P	LTN	DESCRIPTION	DATE	DWN	APVD
		A		ECR-21-122345	21NOV22	TL	HL



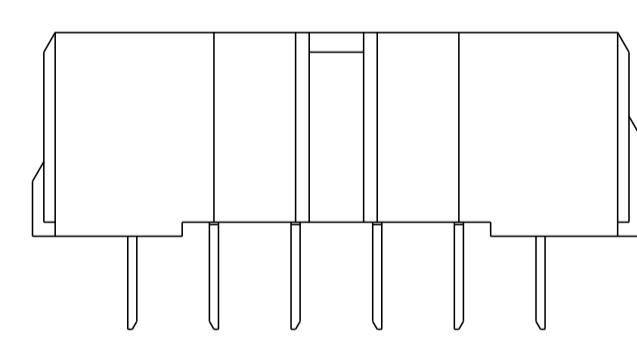
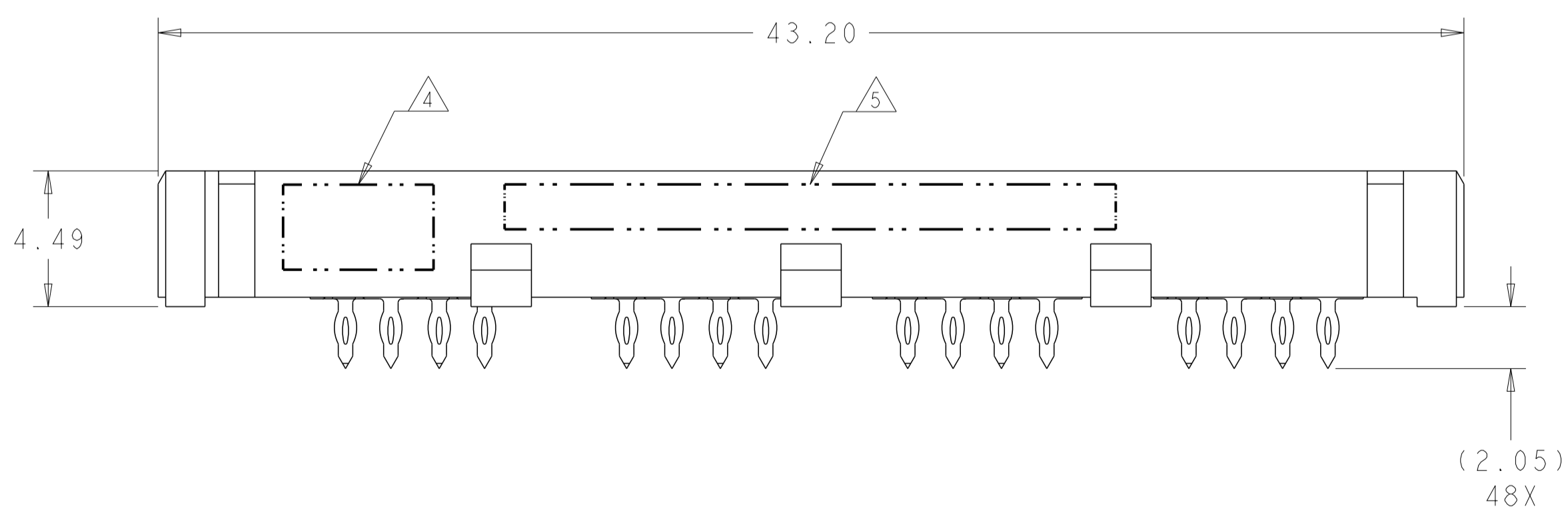
ISOMETRIC VIEWS
SCALE 3:1

- 1 MATERIAL:
HOUSING: THERMOPLASTIC, FLAMMABILITY RATING UL94 V-0
CONTACT: COPPER ALLOY
- 2. CONFORMS TO THE REQUIREMENTS OF TE PRODUCT SPECIFICATION, 108-2375; BASED ON TELCORDIA GR-1217-CORE FOR SYSTEM QUALITY LEVEL III, APPLICATIONS IN CONTROLLED ENVIRONMENTS (CENTRAL OFFICE).
SEE TE PRODUCT SPECIFICATION 108-2375 FOR TEST SEQUENCES.
- 3 SPECIFIED POSITIONAL TOLERANCE DEFINES HOLE TO HOLE LOCATION WITHIN HOLE PATTERN. POSITIONAL TOLERANCE OF HOLE PATTERN TO FIDUCIAL MARKS OR PCB DATUMS SHALL BE DEFINED BY CUSTOMER.
- 4 AREA RESERVED FOR TE CONNECTIVITY LOGO.
- 5 AREA RESERVED FOR PART NUMBER (X-XXXXXX-X) AND DATE CODE (YYWW).
- 6 USE CENTER LINES INDICATED ON PCB HOLE PATTERN TO ESTABLISH ALIGNMENT BETWEEN HEADER AND RECEPTACLE BOARDS.
- 7 PLATED THROUGH HOLE REQUIREMENTS:
HOLE SIZE PRIOR TO PLATING = $\varnothing 0.700 \pm 0.025$
COPPER PLATING THICKNESS = 0.038 ± 0.013
CALCULATED FINISHED HOLE SIZE = $\varnothing 0.624 \pm 0.051$
THESE DIMENSIONS APPLY TO THE TOP 1.50mm OF THE PCB THICKNESS FROM THE CONNECTOR MOUNTING SIDE.



SIZE 2 HALF-WIDE *
12 POWER CONTACTS

* SIZE 1 AND SIZE 3 ARE ALSO AVAILABLE

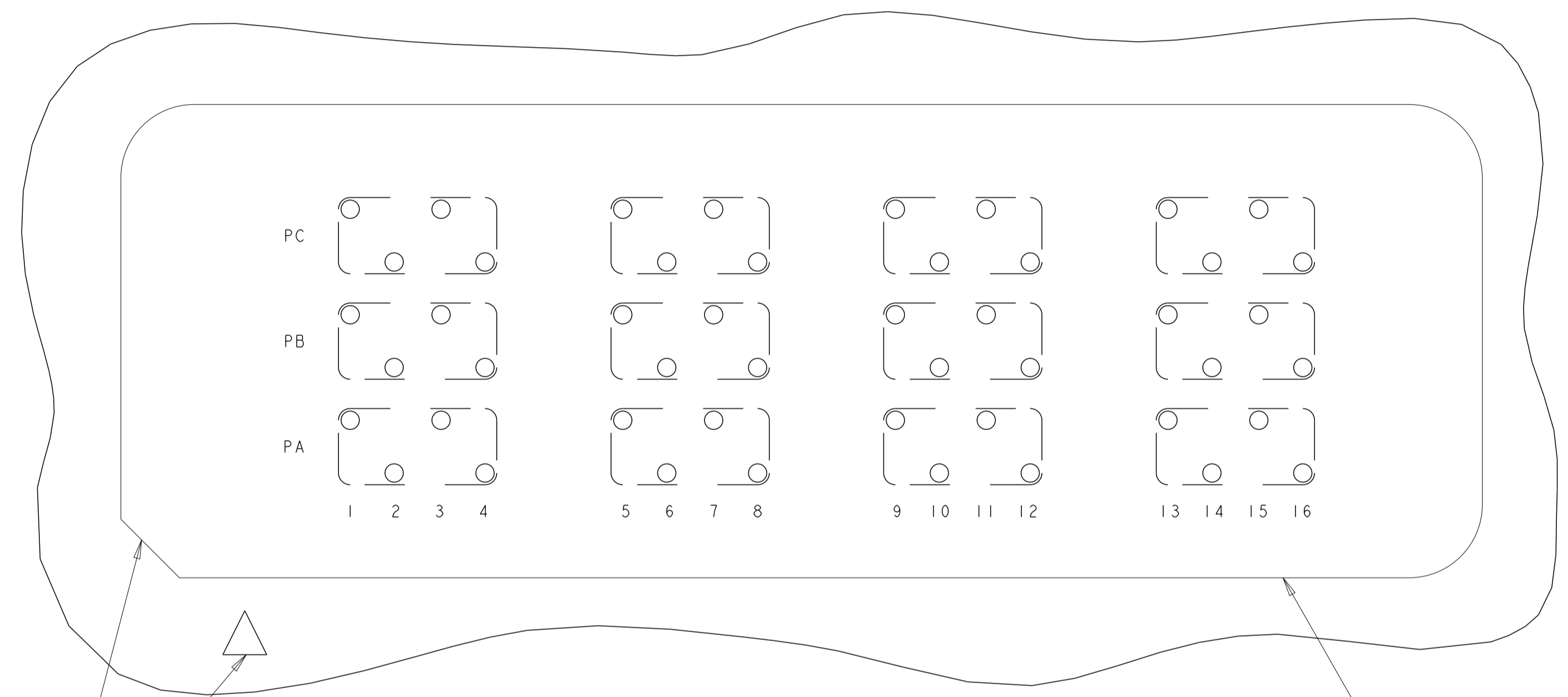


THIS PRODUCT HAS NOT COMPLETED VALIDATION AND QUALIFICATION TESTING

THIS DRAWING IS A CONTROLLED DOCUMENT.		DWN HAMNER 28OCT2010	TE Connectivity	
DIMENSIONS: mm		CHK D. TROUT 27OCT2010		
TOLERANCES UNLESS OTHERWISE SPECIFIED:		APVD J. FEDDER 27OCT2010		
0 PLC ±		NAME RECEPTACLE ASSEMBLY, HALF-WIDE, 12P, STRADA MESA MEZZANINE CONNECTOR		
1 PLC ±		PRODUCT SPEC 108-2375		
2 PLC ±0.13		APPLICATION SPEC 114-13249	SIZE CAGE CODE DRAWING NO. RESTRICTED TO	
3 PLC ±0.013		WEIGHT -	A100779C=2149531	
4 PLC ±		CUSTOMER DRAWING	SCALE 4:1 SHEET 1 OF 3 REV A	
ANGLES FINISH				

THIS DRAWING IS UNPUBLISHED. RELEASED FOR PUBLICATION 20
 © COPYRIGHT 20 BY - ALL RIGHTS RESERVED.


LOC	DIST	REVISIONS			
P	LTN	DESCRIPTION	DATE	DWN	APVD
-	-	SEE SHEET 1	-	-	-



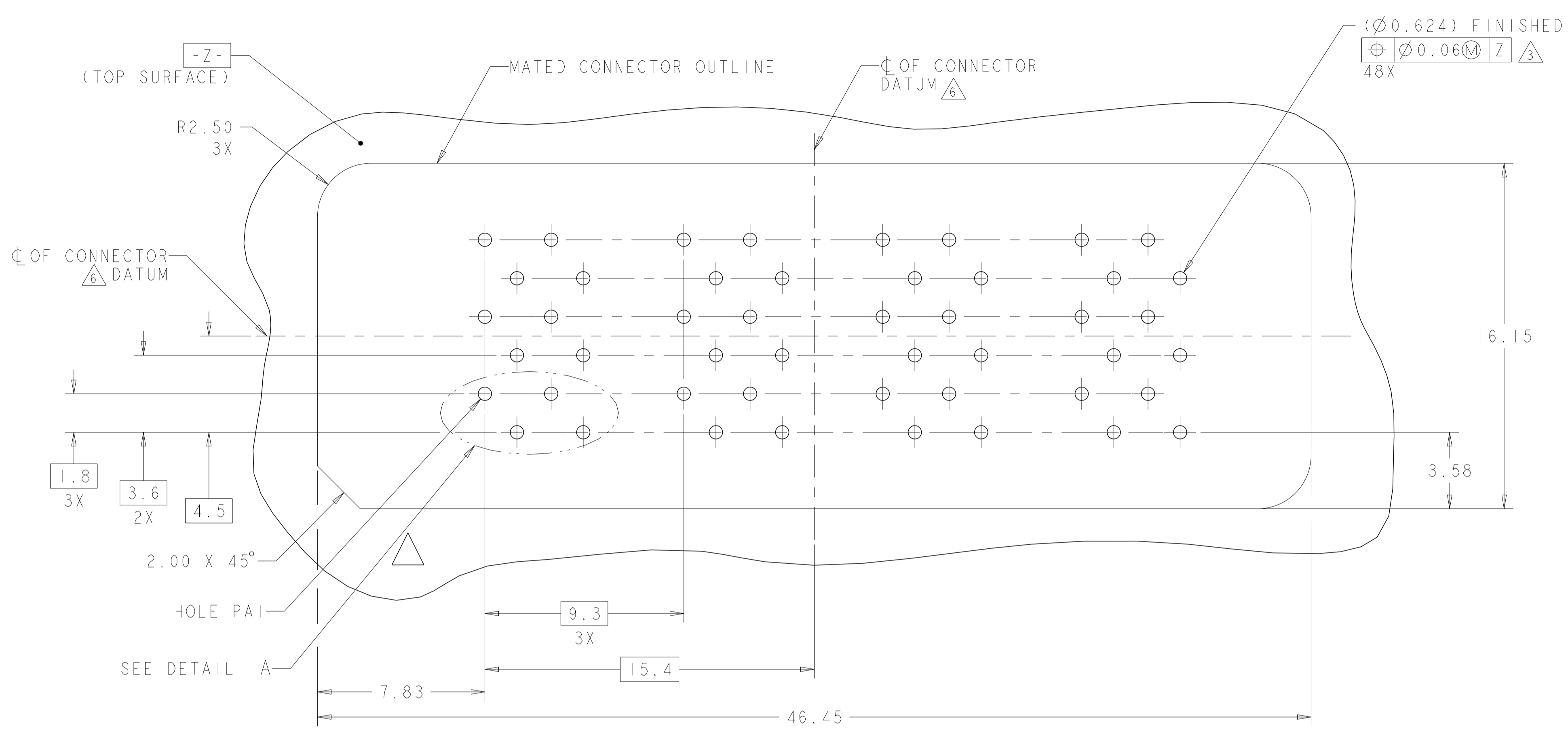
A1 CORNER INDICATORS.

PCB LAYOUT AND PIN IDENTIFICATION
 SHOWN FROM CONNECTOR SIDE
 SCALE 7:1

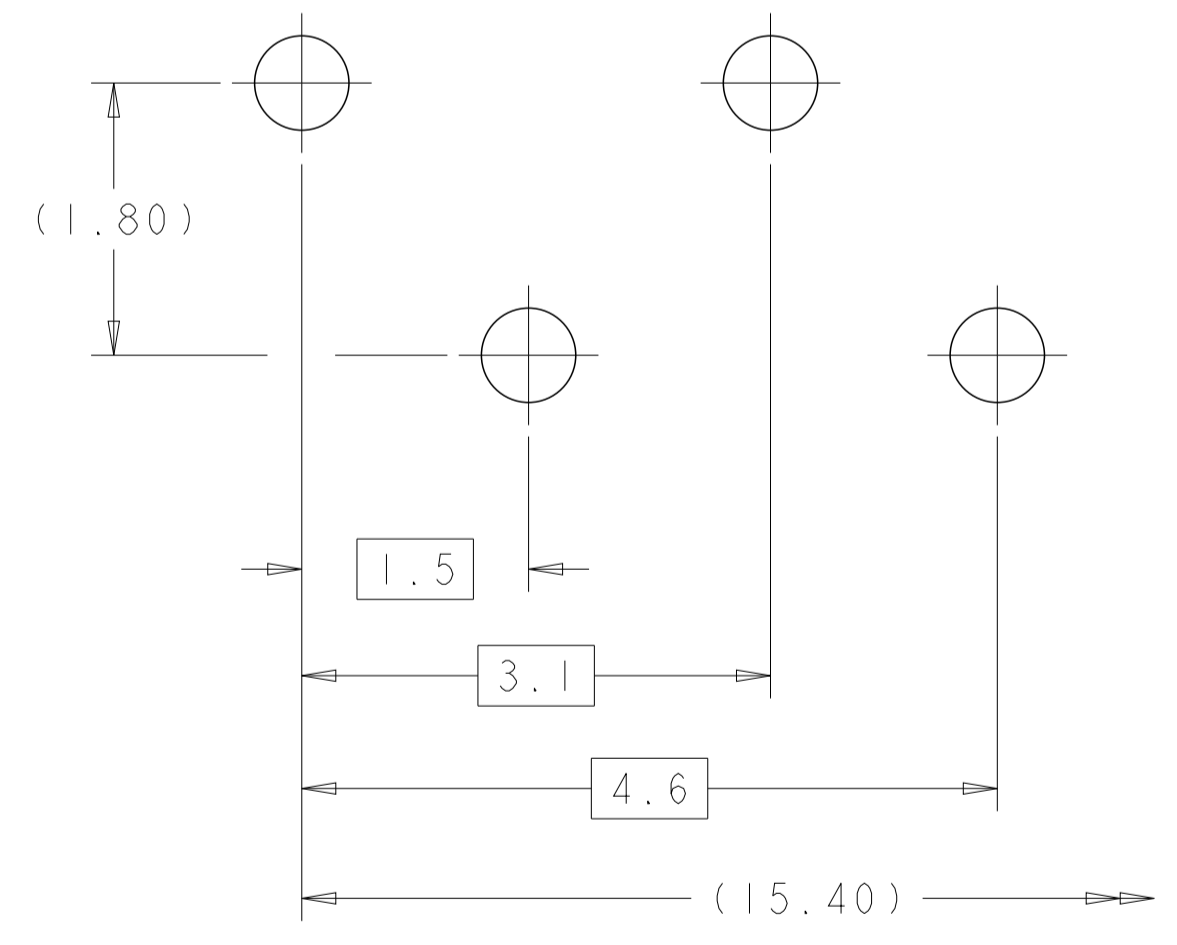
MATED CONNECTOR OUTLINE
 SEE SHEET 3 FOR LOCATION TO HOLES

THIS DRAWING IS A CONTROLLED DOCUMENT.		DWN HAMNER 28OCT2010	 TE Connectivity
DIMENSIONS: mm		CHK D. TROUT 27OCT2010	
TOLERANCES UNLESS OTHERWISE SPECIFIED:		APVD J. FEDDER 27OCT2010	NAME RECEPTACLE ASSEMBLY, HALF-WIDE, 12P, STRADA MESA MEZZANINE CONNECTOR
0 PLC ±	1 PLC ±	PRODUCT SPEC 108-2375	SIZE CAGE CODE DRAWING NO RESTRICTED TO
2 PLC ±0.13	3 PLC ±0.013	APPLICATION SPEC 114-13249	A100779C=2149531
4 PLC ±	ANGLES ±1	WEIGHT	SCALE 6:1 SHEET 2 OF 3 REV A
MATERIAL	FINISH	CUSTOMER DRAWING	

LOC	DIST	REVISIONS					
GP	00	P	LTN	DESCRIPTION	DATE	DWN	APVD
		-		SEE SHEET 1			



PCB HOLE PATTERN
 SHOWN FROM CONNECTOR SIDE
 SCALE 7:1



DETAIL A
 12X
 SCALE 20:1

THIS DRAWING IS A CONTROLLED DOCUMENT.		DWN HAMNER 28OCT2010	TE Connectivity
DIMENSIONS: mm		CHK D. TROUT 27OCT2010	
TOLERANCES UNLESS OTHERWISE SPECIFIED:		APVD J. FEDDER 27OCT2010	NAME RECEPTACLE ASSEMBLY, HALF-WIDE, 12P, STRADA MESA MEZZANINE CONNECTOR
0 PLC ±	1 PLC ±.13	PRODUCT SPEC 108-2375	SIZE CAGE CODE DRAWING NO. RESTRICTED TO
2 PLC ±.013	3 PLC ±.013	APPLICATION SPEC 114-13249	A100779C=2149531
4 PLC ±	ANGLES ±.1	WEIGHT	SCALE 6:1 SHEET 3 OF 3 REV A
MATERIAL	FINISH	CUSTOMER DRAWING	