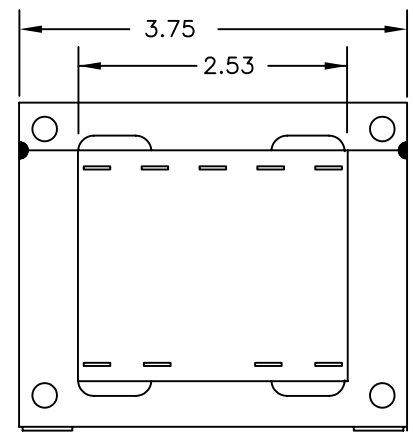
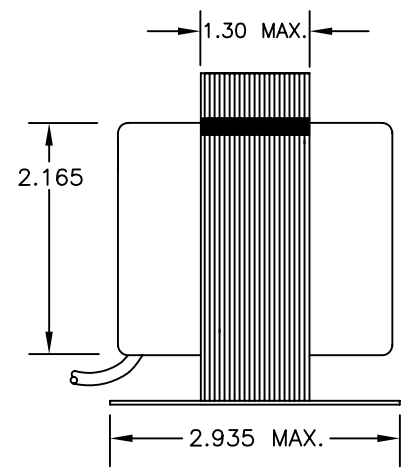
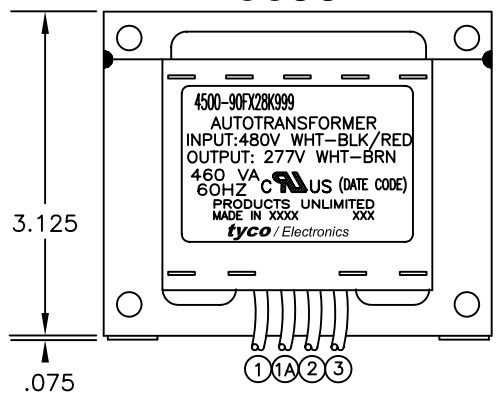
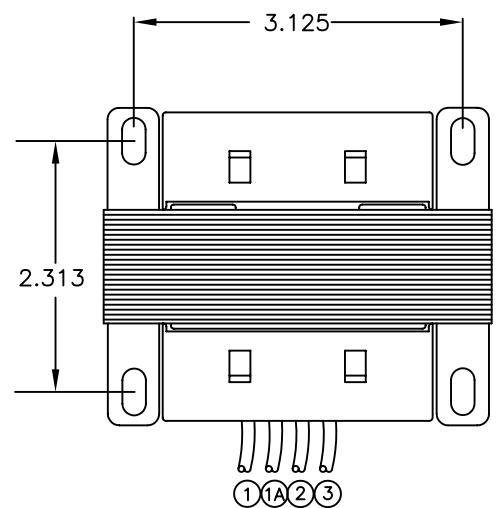
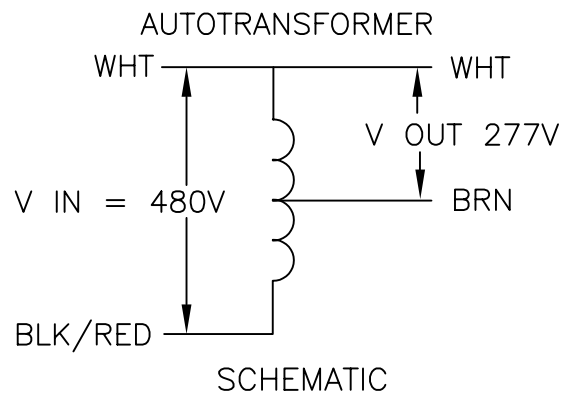


LOC	DIST	REVISIONS					
GZ	00	P	LTR	DESCRIPTION	DATE	DWN	APVD
		A		NPR-PU06-079	02AUG06	KH	HT



ALL LEADS 18AWG-UNLESS OTHERWISE SPECIFIED					NOTES			CERTIFICATION:	
PRIMARY					1. DIMENSIONS FOR REFERENCE ONLY.			UL/CUL FILE NO. E102980	
LEAD NO.	1	1A	2	3	2. ALL LEADS +1"/-0" TOL.				
VOLTAGE	COM	COM	277/OUT	480/IN	3. STRIP TOL. ±1/32				
COLOR	WHT	WHT	BRN	BLK/RED	4. WINDING PROTECTION-NONE				
LENGTH	12.0	12.0	12.0	12.0	5. TRANSFORMER TO BE DIP VARNISHED.				
STRIP LENGTH	.50	.50	.50	.50					



TYCO PART NUMBER
1611516-7

THIS DRAWING IS A CONTROLLED DOCUMENT.		DWN	K.H.	02AUG06	 Tyco Electronics Corporation Harrisburg, PA 17105-3608			
DIMENSIONS: INCHES		CHK	DH	02AUG06				
TOLERANCES UNLESS OTHERWISE SPECIFIED:		APVD	HT	02AUG06				
0 PLC ± - 1 PLC ± - 2 PLC ± .01 3 PLC ± .005 4 PLC ± - ANGLES ± -		PRODUCT SPEC		NAME				
MATERIAL	FINISH	WEIGHT		APPLICATION SPEC	TRANSFORMER OUTLINE P.U. STOCK			
-	-	-		RESTRICTED TO	SIZE	CAGE CODE	DRAWING NO	REV
CUSTOMER DRAWING		A3		00779	C=4500-90FX28K999		SCALE	1:1
				SHEET	1 OF 1		REV	