

1 Products affected

Product hierarchy no. *			Part no.	SBU	Type / Description	Customer part no.
SBU	PG	PUG	Type			
02	007	042	0000002455	See list below	Connectors	4022
02	007	042	0000002456	See list below	Connectors	8101

*SBU (2-digit) / PG (3-digit) / PUG (3-digit) / Type (10-digit)

List of part numbers affected 4022			
3-107-602	4310.0027	4310.0028	

List of part numbers affected 8101			
3-107-591	4310.0029	4310.0030	4310.0042

2 Type of change

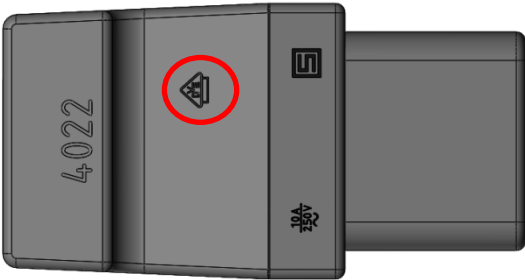
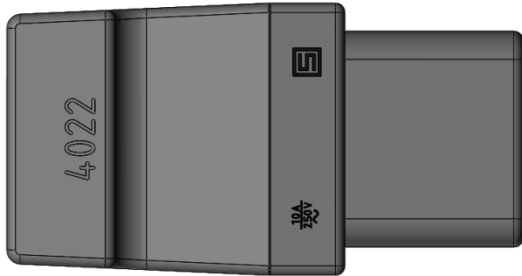
- Change of approval markings

3 Detailed description of change

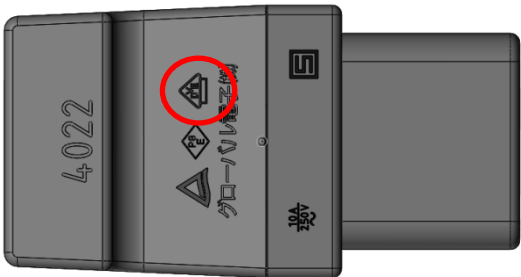
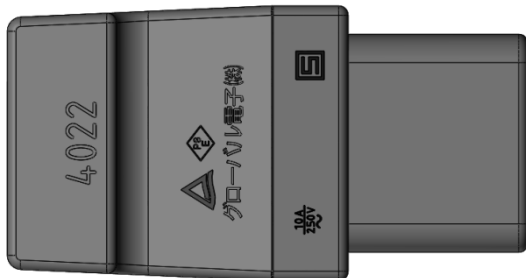
The VDE approval markings on the product and the packaging label will be removed from the types 8101 and 4022.

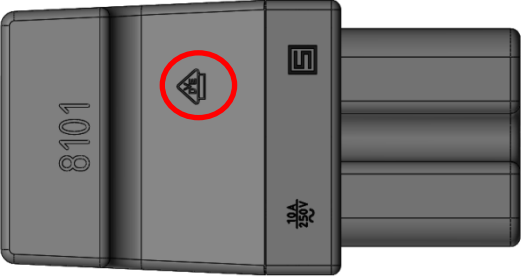
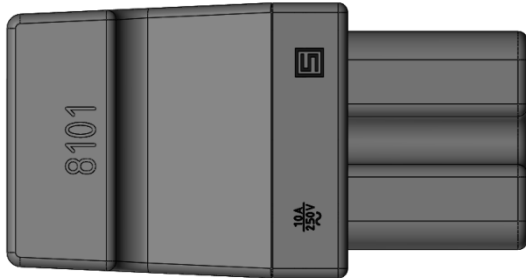
SCHURTER suggests using the Types 4781 and 4782 as an alternative with a valid VDE approval.

Please note: For these alternative types the grey variants and PSE approval are pending and currently not available. See tables 1 and 2 for alternative variant suggestions.

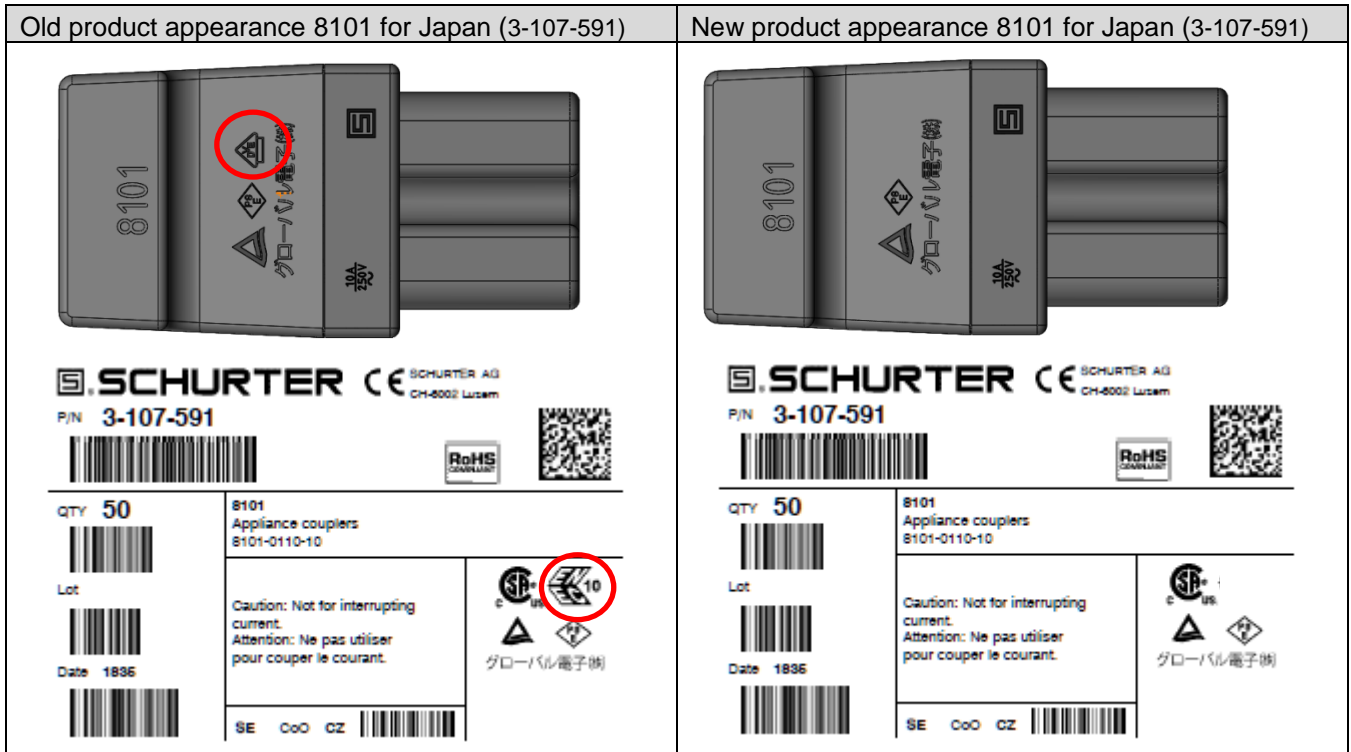
Old appearance 4022	New appearance 4022
 <p>SCHURTER CE SCHURTER AG CH-6002 Luzern P/N 4310.0027</p> <p>RoHS COMPLIANT</p> <p>QTY 50 4022 Cord connector 4022xxxx0a81</p> <p>Lot Date 1836</p> <p>Caution: Not for interrupting current. Attention: Ne pas utiliser pour couper le courant.</p> <p>SE CoO CZ</p>	 <p>SCHURTER CE SCHURTER AG CH-6002 Luzern P/N 4310.0027</p> <p>RoHS COMPLIANT</p> <p>QTY 50 4022 Cord connector 4022xxxx0a81</p> <p>Lot Date 1836</p> <p>Caution: Not for interrupting current. Attention: Ne pas utiliser pour couper le courant.</p> <p>SE CoO CZ</p>

Product Change Notification					PCN for 4022 and 8101		
owner	creation date	release date	released by	change order no	rev	page	D10-028-565
bachmajo	16.08.2018	20.09.2018	limachcl	2016061	A	1 of 4	

Old appearance 4022 for Japan (3-107-602)	New appearance 4022 for Japan (3-107-602)
 <p>SCHURTER CE SCHURTER AG CH-6002 Luzern P/N 3-107-602</p> <p>QTY 50 4022 Cord connector 4022-0110-10</p> <p>Caution: Not for interrupting current. Attention: Ne pas utiliser pour couper le courant.</p> <p>RoHS COMPLIANT</p> <p>SE CoO CZ</p>	 <p>SCHURTER CE SCHURTER AG CH-6002 Luzern P/N 3-107-602</p> <p>QTY 50 4022 Cord connector 4022-0110-10</p> <p>Caution: Not for interrupting current. Attention: Ne pas utiliser pour couper le courant.</p> <p>RoHS COMPLIANT</p> <p>SE CoO CZ</p>

Old appearance 8101	New appearance 8101
 <p>SCHURTER CE SCHURTER AG CH-6002 Luzern P/N 4310.0029</p> <p>QTY 50 8101 Appliance couplers 8101xxxx0a81</p> <p>Caution: Not for interrupting current. Attention: Ne pas utiliser pour couper le courant.</p> <p>RoHS COMPLIANT</p> <p>SE CoO CZ</p>	 <p>SCHURTER CE SCHURTER AG CH-6002 Luzern P/N 4310.0029</p> <p>QTY 50 8101 Appliance couplers 8101xxxx0a81</p> <p>Caution: Not for interrupting current. Attention: Ne pas utiliser pour couper le courant.</p> <p>RoHS COMPLIANT</p> <p>SE CoO CZ</p>

Product Change Notification					PCN for 4022 and 8101		
owner	creation date	release date	released by	change order no	rev	page	D10-028-565
bachmajo	16.08.2018	20.09.2018	limachcl	2016061	A	2 of 4	



4022 part number	Alternative 4782 part number
4310.0027	4782.0000 or 4782.0100
4310.0028	No Grey variant available
3-107-602	4782.0000 or 4782.0100; no Japanese approvals

Table 1 Alternatives for 4022

8101 part number	Alternative 4781 part number
4310.0042	4781.0000
3-107-591	4781.0000; no Japanese approvals
4310.0029	4781.0000 or 4781.0100
4310.0030	No Grey variant available

Table 2 Alternatives for 8101

4 Reason of change

The affected part numbers no longer have a VDE certificate.

5 Release date

The change will be rolled-out starting ww43 /2018.

6 Impact of change and recommended action

Form	Yes	Removal of the VDE approval marking on the moulding body
Fit	No	No change for dimension
Function	No	No change in function
Manufacturing	No	No change for manufacturing site
Label	Yes	change of approval markings on packaging label
Packaging	No	No change in packaging

Product Change Notification					PCN for 4022 and 8101		
owner	creation date	release date	released by	change order no	rev	page	D10-028-565
bachmajo	16.08.2018	20.09.2018	limachcl	2016061	A	3 of 4	

7 Reference Documents / Attachments

Kind of document	Remarks
Data sheet 8101	
Data sheet 4022	
Data sheet 4781	
Data sheet 4782	

Product Change Notification					PCN for 4022 and 8101		
owner	creation date	release date	released by	change order no	rev	page	D10-028-565
bachmajo	16.08.2018	20.09.2018	limachcl	2016061	A	4 of 4	