

**MATERIAL**

Polyamide based (PA) technopolymer, black or red colour, glossy finish (HGFT/SL only black colour).

**WINDOW**

Transparent polyamide based (PA-T/AR) technopolymer.

**PACKING RING**

NBR synthetic rubber.

**STANDARD EXECUTIONS**

- **HGFT.:** with matte anodised aluminium star-shaped contrast screen with red central level point.
- **HGFT/SL:** without contrast screen.

**MAXIMUM CONTINUOUS WORKING TEMPERATURE**

100°C at 3 bar pressure.

**NOTE**

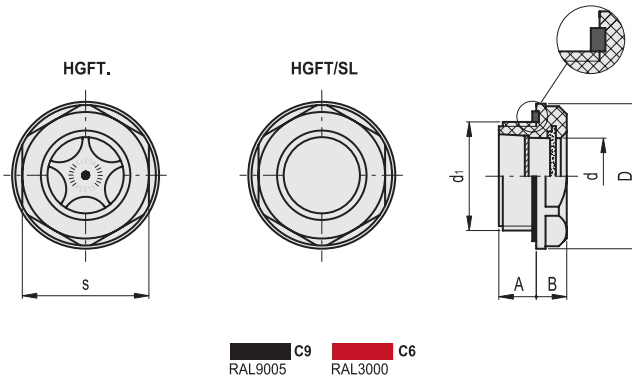
For use with other fluids with special additives, please contact ELESA Sales Department.

**ACCESSORIES ON REQUEST**

Brass nut type GH. (see page 1746) for fitting to reservoirs with wall thickness smaller than 5 mm.



ELESA Original design



**HGFT.**

**BSP**

**METRIC**

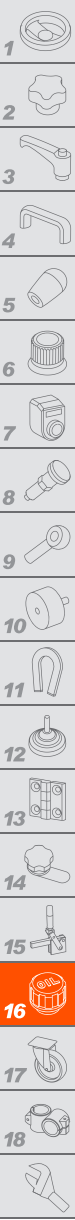
Code	Description	Code	Description	d1	A	B	D	d	s	Tightening torque [Nm]	⚖️
14441	HGFT.10-3/8 C9	14444	HGFT.10-3/8 C6	G 3/8	8	7	24	11	22	4+8	4
14461	HGFT.13-1/2 C9	14464	HGFT.13-1/2 C6	G 1/2	10	8.5	28	14.5	24	6+8	6
14481	HGFT.16-3/4 C9	14484	HGFT.16-3/4 C6	G 3/4	9.5	8.5	35	18	32	8+10	10
14521	HGFT.21-1 C9	14524	HGFT.21-1 C6	G 1	11	9.5	42.5	23	38	10+12	15
14541	HGFT.25-1¼ C9	14544	HGFT.25-1¼ C6	G1 1/4	11	9	50	30	46	12+15	30
14561	HGFT.40-2 C9	14564	HGFT.40-2 C6	G 2	12	11	68	40	62	12+15	60

**HGFT/SL**

**BSP**

**METRIC**

Code	Description	d1	A	B	D	d	s	Tightening torque [Nm]	⚖️
14446	HGFT.10/SL-3/8	G 3/8	8	7	24	11	22	4+8	3
14466	HGFT.13/SL-1/2	G 1/2	10	8.5	28	14.5	24	6+8	5
14486	HGFT.16/SL-3/4	G 3/4	9.5	8.5	35	18	32	8+10	9
14526	HGFT.21/SL-1	G 1	11	9.5	42.5	23	38	10+12	14
14546	HGFT.25/SL-1¼	G1 1/4	11	9	50	30	46	12+15	29
14566	HGFT.40/SL-2	G 2	12	11	68	40	62	12+15	59



Accessories for hydraulic systems