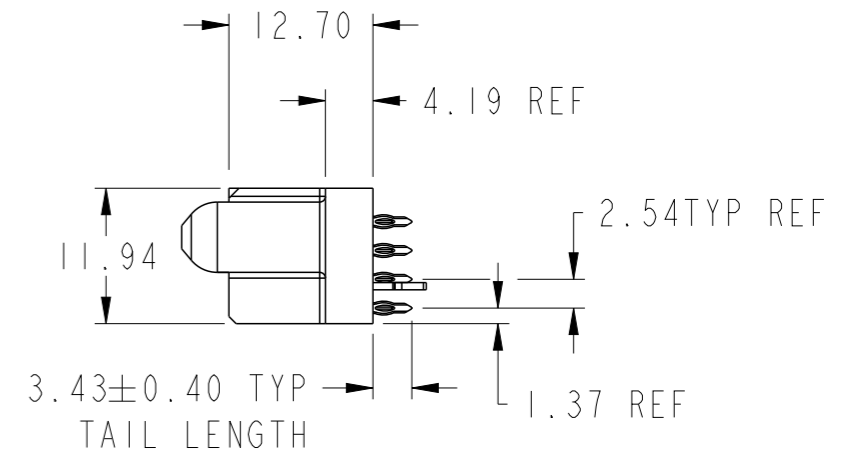
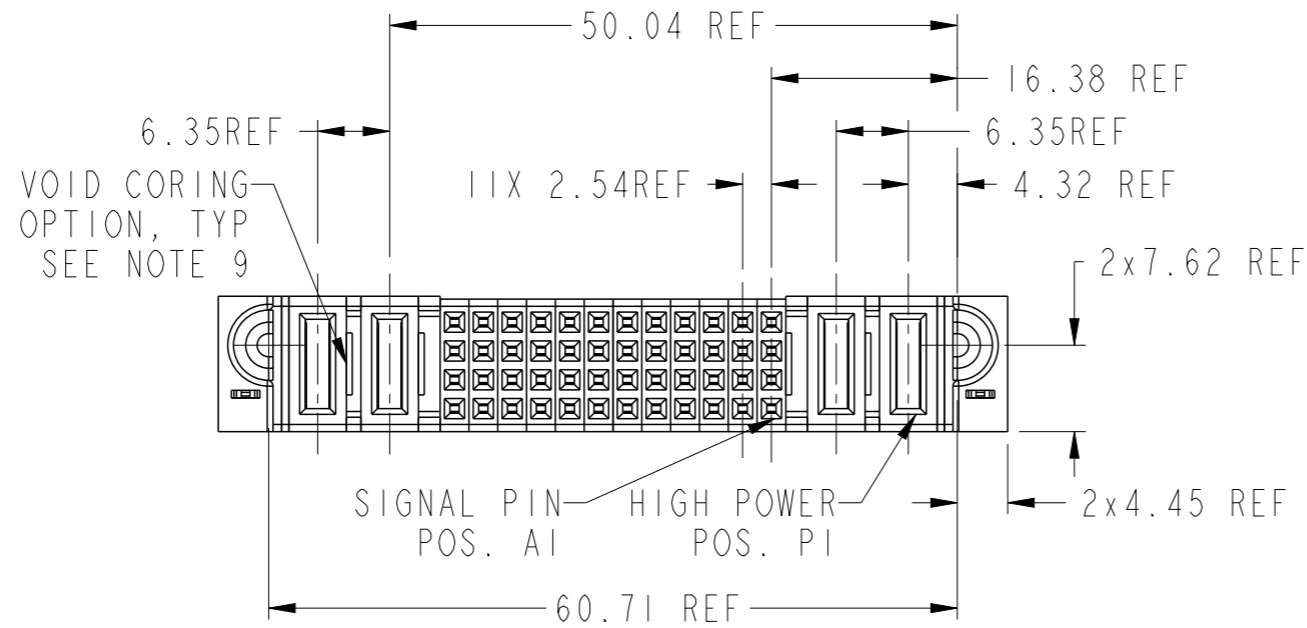
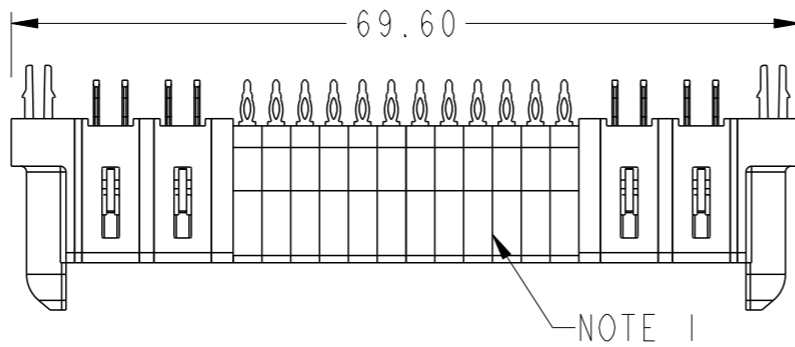
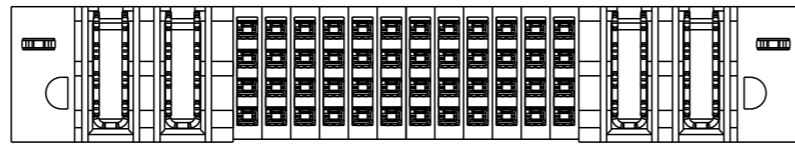


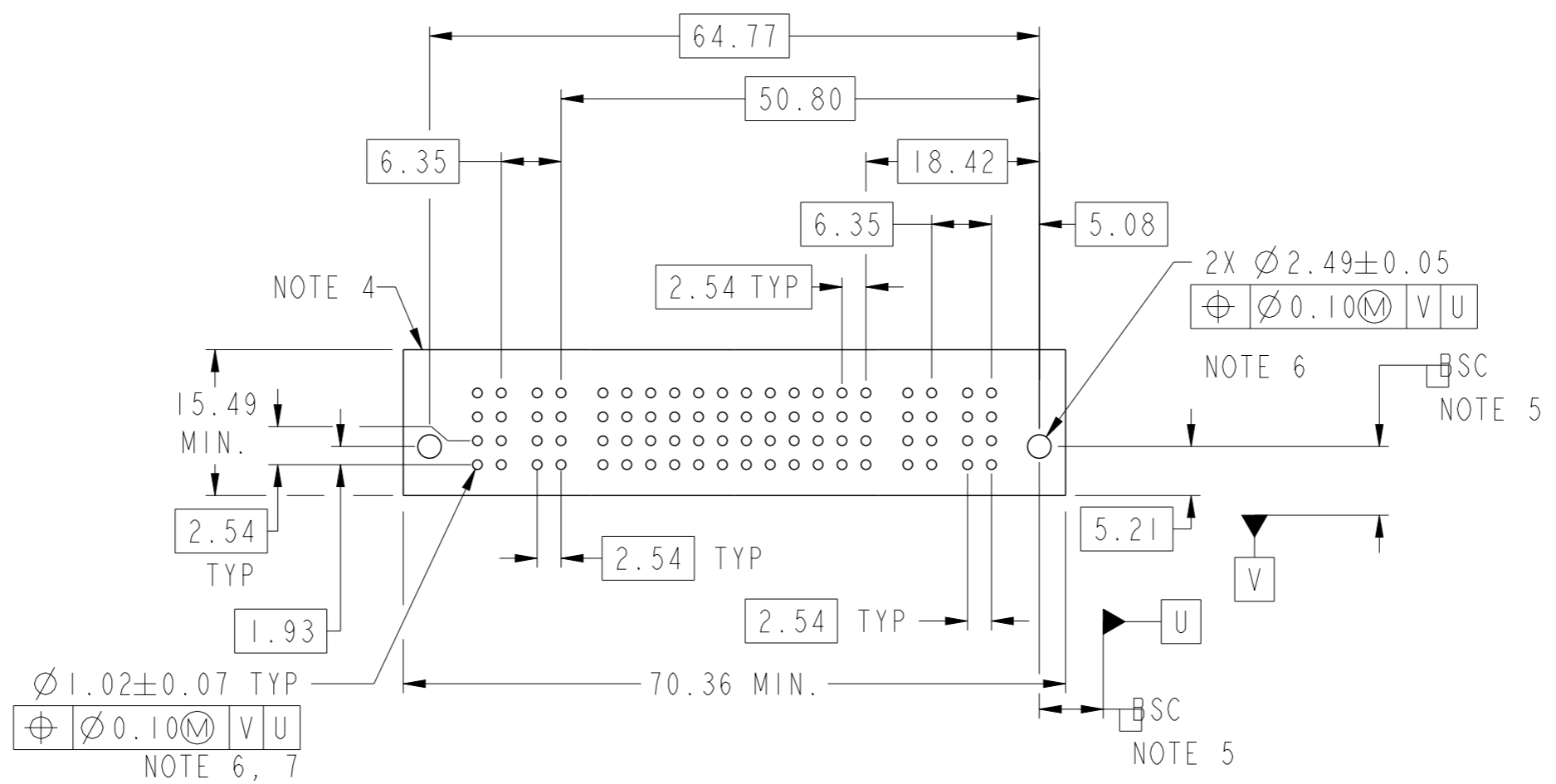
PRODUCT NUMBER SEE SHEET 2



spec ref		dr	Xie Bob	2013/10/24	projection	MM	size	A3	scale	3:2
tolerance std		eng	Eddy Zeng	2013/11/07			ecn no		-	
ASME Y14.5		chr	Li-He	2013/11/04			rel level		Released	
TOLERANCES UNLESS OTHERWISE SPECIFIED		appr	Pei-Ming Zheng	2013/11/07	product family		PowerBlade+		-	
surface		linear	0.X	±0.50		part no		2P + 48S + 2P		rev A
			0.XX	±0.25		VT PF RECEPTACLE				
ASME Y14.5		angular	0.XXX	±0.10	www.fci.com	cat. no.		Product - Customer Drw		sheet 1 of 3
			0°	±2°		PDS: Rev :A		STATUS:Released		

PRODUCT NO.	ROWS	HP			SIGNAL								HP								
		E1	P4	P3	12	11	10	9	8	7	6	5	4	3	2	1	P2	P1	E2		
10106131-4012201LF	DCBA	HA	HG	HG	F	F	F	F	F	F	F	F	F	F	F	F	F	F	HG	HG	HA

CODE	DESCRIPTION
F	STD SIGNAL CONTACT
HA	METAL HOLD DOWN
HG	STD HIGH POWER CONTACT (3.43)



Copyright FCI.

dr	Xie Bob	2013/10/24	projection	MM	size	A3	scale	3:2		
eng	Eddy Zeng	2013/11/07			ecn no	-	rel level	Released		
chr	Li-He	2013/11/04								
appr	Pei-Ming Zheng	2013/11/07	product family	PowerBlade+						
			2P + 48S + 2P		dwg no		10106131-4012201		rev	A
www.fci.com			cat. no.		Product - Customer Drw			sheet 2 of 3		

A

A

NOTES:

- 1) "FCI", PART NUMBER AND DATE CODE TO BE MARKED ON THIS SURFACE.
THE MARK CAN BE OMITTED IF THERE IS NOT ENOUGH SPACE ON THIS SURFACE.
- 2) MATERIALS:
-HOUSING - GLASS FILLED WITH HIGH TEMP THERMOPLASTIC, UL94V-0.
-SIGNAL CONTACT - COPPER ALLOY.
-POWER CONTACT - HIGH CONDUCTIVITY COPPER ALLOY.
- 3) PLATING SPECIFICATION REFER TO FCI 10123565.
- 4) DENOTES CONNECTOR KEEP OUT ZONE.
- 5) DATUM AND BASIC DIMENIONS WERE ESTABLISHED BY CUSTOMER.
- 6) ALL HOLE DIAMETERS ARE FINISHED HOLE SIZES.
- 7) 1.15 ± 0.025 MM DRILLED HOLE PLATED WITH 0.00762MM MIN Sn
OVER 0.0254-0.0762MM Cu PLATING TO ACHIEVE A 1.02 ± 0.07 MM HOLE.
- 8) PRODUCT SPECIFICATION REFER TO FCI GS-12-658.
APPLICATION SPECIFICATION REFER TO FCI GS-20-141.
PRODUCT PACKAGED IN TRAYS, REFER TO FCI GS-14-1502.
- 9) THE VOID CORING IN BETWEEN POWER MODULES, SIGNAL
MODULES AND END MODULES ARE OPTIONAL AND THE SHAPE
MAY BE DIFFERENT FOR OPTIMIZE THE MOLDING PROCESS. THE
VOID CORING WILL NOT EFFECT TO PRODUCT FUNCTION.

B

B

C

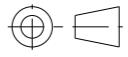
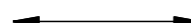

C

D

D



Copyright FCI.

dr	Xie Bob	2013/10/24	projection 	MM 	size	A3	scale	1:1
eng	Eddy Zeng	2013/11/07			ecn no	-		
chr	Li-He	2013/11/04			rel level	Released		
appr	Pei-Ming Zheng	2013/11/07			product family	PowerBlade+		
		2P + 48S + 2P VT PF RECEPTACLE		dwg no 10106131-4012201	rev A			
www.fci.com		cat. no.	Product - Customer Drw		sheet 3 of 3			