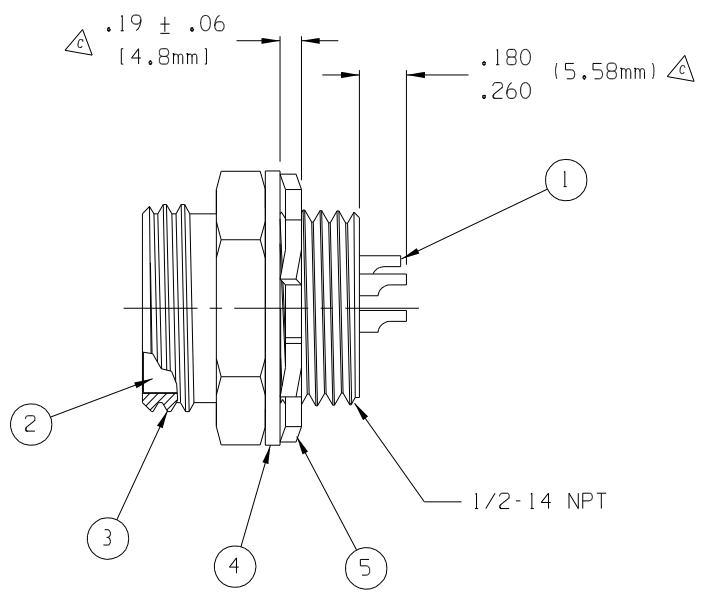
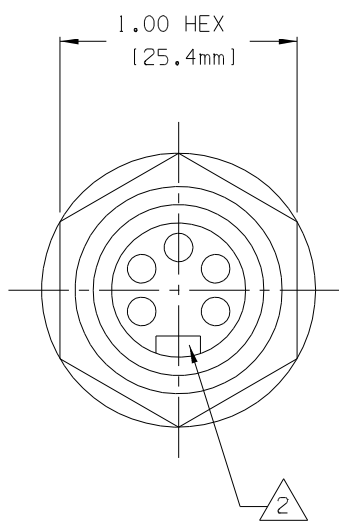


SUPERSEDES DWG. 48549101.599

ITEM	DESCRIPTION	MATERIAL/FINISH	QTY
1	CONTACT, PIN	GOLD PLATED COPPER ALLOY	5
2	INSULATOR, MALE	GRAY PVC	1
3	SHELL, EXTERNAL THREADS	ALUMINUM/BLACK ANODIZE	1
4	GASKET	NEOPRENE	1
5	LOCKNUT, 1/2-14	STEEL, PLATED	1



2 MATING KEY CENTER TO BE ORIENTATED WITH POINT OF HEXNUT AS SHOWN WITHIN 10°  
 1 RECOMMENDED MOUNTING HOLE SIZE .875"/.844" DIAMETER.

NOTES: (UNLESS OTHERWISE SPECIFIED)

EC NO. ECO 11179 DRW: R. STONE CHK: APPR:		DESCRIPTION	QUALITY SYMBOLS MAJOR CRITICAL SPC	GENERAL TOLERANCES: (UNLESS SPECIFIED)	SCALE 1:1 DESIGN UNITS <input type="checkbox"/> mm <input checked="" type="checkbox"/> INCH	THIRD ANGLE PROJECTION	PROJECT NO.	SHT	REV	
C		REV		mm INCH 4 PLACES ±.0005 3 PLACES ±.005 2 PLACES ±.01 1 PLACE ±.1	DRAWN BY & DATE R. STONE 12-17-01	TITLE: MALE RECEPTACLE, BULKHEAD, 5/C W/MALE SOLDER CUP CONTACTS	<input type="checkbox"/> mm <input checked="" type="checkbox"/> INCH <input type="checkbox"/> mm ONLY			
				ANGULAR: ±2°	CHECKED BY & DATE	APPROVED BY & DATE	MOLEX INCORPORATED GILFORD, NH, 03246			
				DRAFT WHERE APPLICABLE MUST REMAIN WITHIN DIMENSIONS	CAD FILENAME SD-84854-9101	MATERIAL NO. 84854-9101	DRAWING NO. SD-84854-9101	SHEET NO. 1 OF 1		
					THIS DRAWING CONTAINS INFORMATION THAT IS PROPRIETARY TO MOLEX INCORPORATED AND SHOULD NOT BE USED WITHOUT WRITTEN PERMISSION.					SIZE B