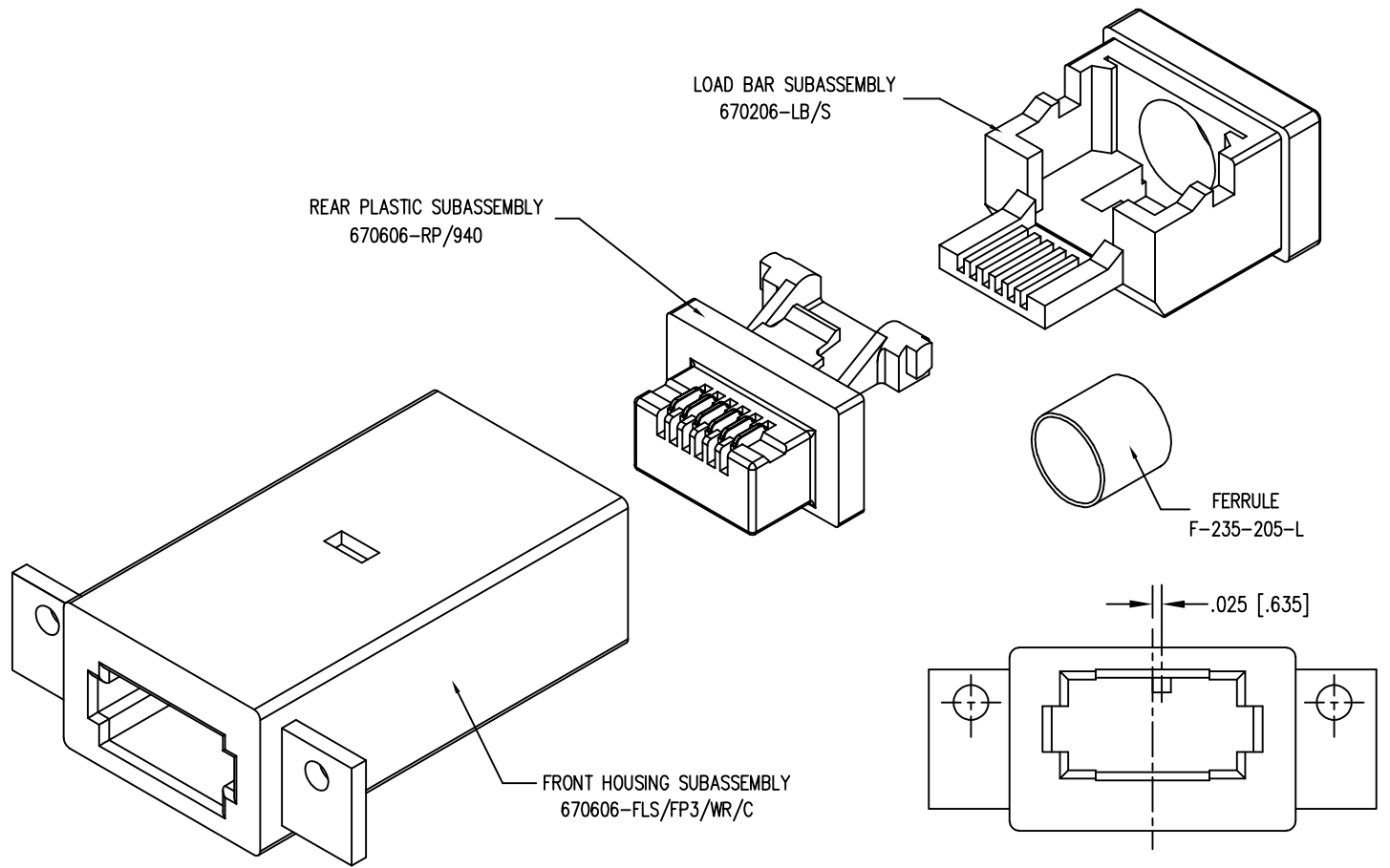
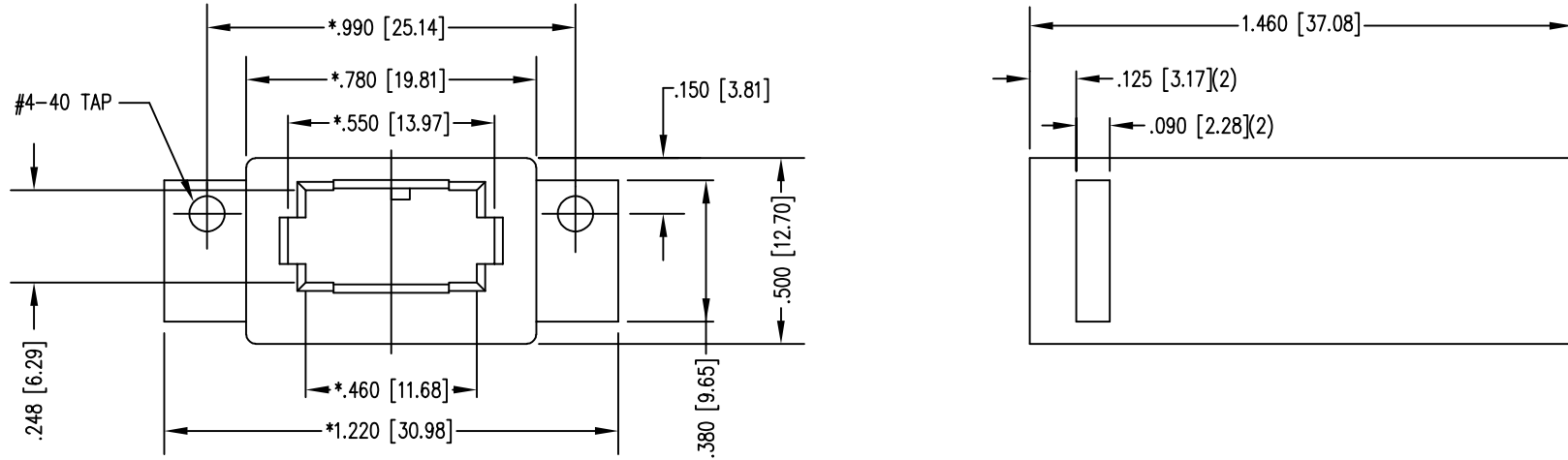
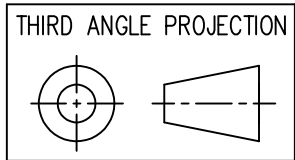


DATE	REV	ECN	APP'D. BY
1-15-15	B10	10203	TRM
3-28-16	B11	10638	TRM
1-30-17	B12	10877	TRM
8-17-21	B13	11806	JE



- NOTE:
1. DIMENSIONS SHOWN ARE FOR PART I.D. AND REFERENCE ONLY.
 2. DIMENSIONS WITH "*" TO BE CENTRAL ABOUT CENTER LINE.
 3. HOUSING IS BRIGHT NICKEL PLATED.
 4. ESI DESIGNATES CUSTOMER CODE.

50 MICRO-INCHES [1.27um]	N/A
30 MICRO-INCHES [0.76um]	SS-670606-BH-3ESI
CONTACT PLATING IN MATING AREA	PART NUMBER



1118 Susquehanna Trail South
Glen Rock, PA 17327-9199
(717) 235-7512
<http://www.stewartconnector.com>

DO NOT SCALE DRAWING
DRAWING IS SUBJECT TO CHANGE WITHOUT NOTICE

DIMENSIONS: INCHES [METRIC]
UNLESS OTHERWISE SPECIFIED TOLERANCES ARE ±.005 [0.13] ANGLES ARE ± 1°

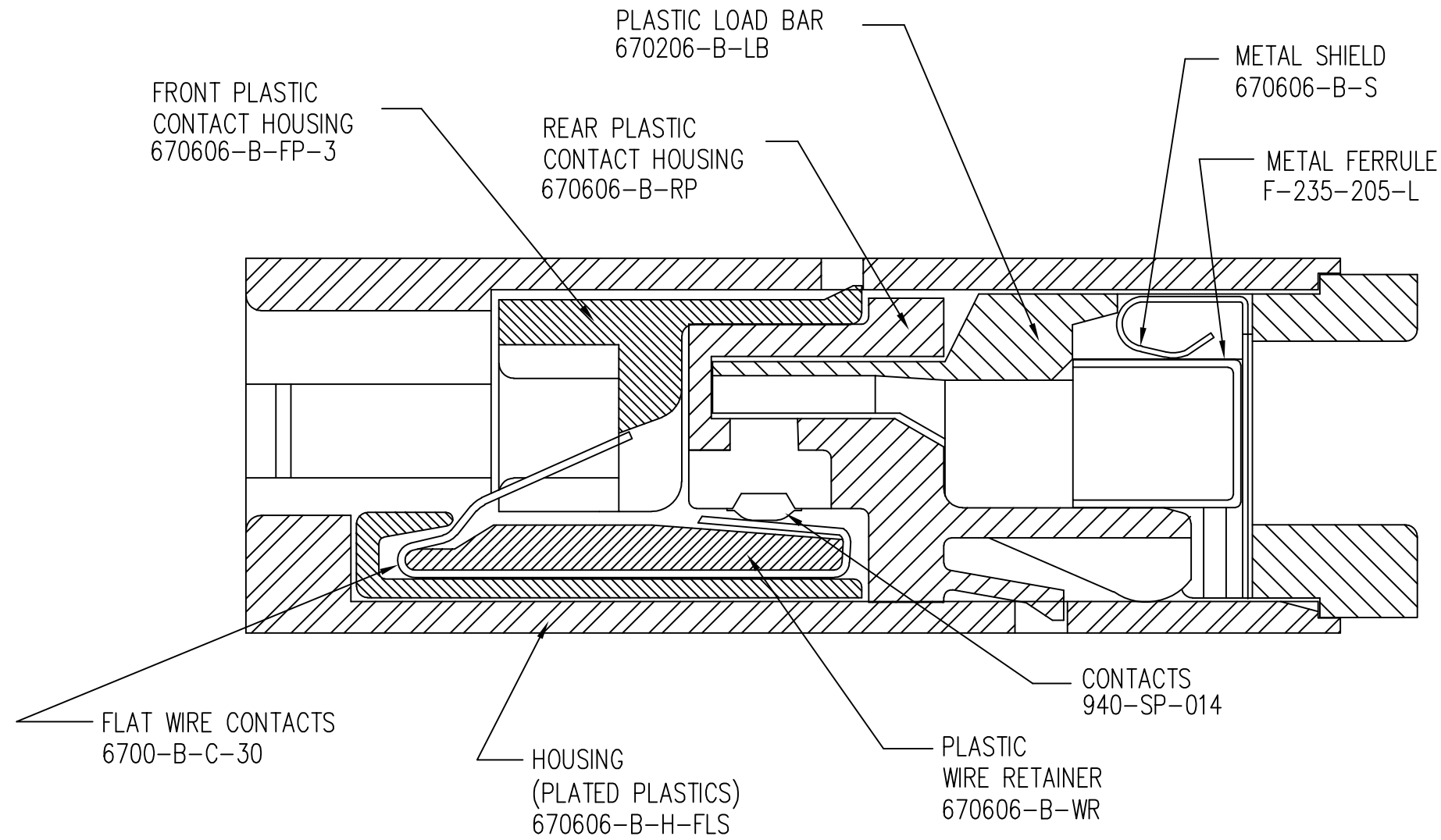
SHEET NO. 1 OF 2

TITLE: BULK HEAD JACK

THIS DRAWING AND THE SUBJECT MATTER SHOWN THEREON ARE CONFIDENTIAL AND THE PROPRIETARY PROPERTY OF STEWART CONNECTOR AND SHALL NOT BE REPRODUCED, COPIED, OR USED IN ANY MANNER WITHOUT PRIOR WRITTEN CONSENT OF STEWART CONNECTOR. ONE OR MORE U.S. PATENTS MAY APPLY TO THIS PRODUCT. FOR DETAILS, PLEASE VISIT: [HTTP://BELFUSE.COM/STEWART/STEWART_PATENTS/](http://BELFUSE.COM/STEWART/STEWART_PATENTS/)

DRN BY: JAF	DATE: 8-17-05
APPD BY: DG	DATE: 8-17-05
DWG NO. CT670011	REV. B13





NOTE:
DIMENSIONS SHOWN ARE FOR PART
I.D. AND REFERENCE ONLY.

<p>THIRD ANGLE PROJECTION</p>		<p>11118 Susquehanna Trail South Glen Rock, PA 17327-9199 (717) 235-7512 http://www.stewartconnector.com</p>			
<p>DO NOT SCALE DRAWING DRAWING IS SUBJECT TO CHANGE WITHOUT NOTICE</p>	<p>TITLE: BULK HEAD JACK</p>				
<p>DIMENSIONS: INCHES [METRIC] UNLESS OTHERWISE SPECIFIED TOLERANCES ARE ±.005 [0.13] ANGLES ARE ± 1°</p>	<p>THIS DRAWING AND THE SUBJECT MATTER SHOWN THEREON ARE CONFIDENTIAL AND THE PROPRIETARY PROPERTY OF STEWART CONNECTOR AND SHALL NOT BE REPRODUCED, COPIED, OR USED IN ANY MANNER WITHOUT PRIOR WRITTEN CONSENT OF STEWART CONNECTOR. ONE OR MORE U.S. PATENTS MAY APPLY TO THIS PRODUCT. FOR DETAILS, PLEASE VISIT: HTTP://BELFUSE.COM/STEWART/STEWART_PATENTS/</p>		<p>DRN BY: JAF</p>	<p>DATE 8-17-05</p>	
<p>SHEET NO. 2 OF 2</p>		<p>APPD BY: DG</p>	<p>DATE 8-17-05</p>	<p>DWG NO. CT670011</p>	<p>REV. B13</p>

