



soberton inc.

DYNAMIC SPEAKER UNIT

Acoustic Product Specification

Product Number: SP-2506Y



Release | Revision: A/2018

CONTENTS

This document contains the technical specifications for the dynamic speaker.

Page 1

Speaker Specification

Page 2

Measuring Circuit

Typical Frequency Response Curve

Page 3

Dimensions

Speaker Specification

Item	Specification	Testing Condition
Dimensions	25.0 x 14.0 x H5.9mm	
Voice Coil Impedance	8Ω ±15%	At 1.2KHz 1V
Resonant Frequency	700±20%Hz	At 1.5 V
Output S.P.L.	82±2dB at 1.0, 1.5 2.0, 2.5 KHz in average	At 0.5m /1 W
Rated Input Power	1.5 W	
Max Input Power	2.0 W	
Operation	Must be normal	Program source 1.5 W
Noise	Must be normal	Sine wave 3.46V
Heat Test	Meet items 8 & 9 after test	55±2°C 16 hours
Humidity Test	Meet items 8 & 9 after test	40±2°C 90~95%RH 48 hours
Load Test	Meet items 8 & 9 after test	White noise 1.5 W 100 hours
Magnet	Φ7.5 x 1.65 mm	
Net Weight	2.0g	
Polarity	Diaphragm shall move forward when a positive D.C. current is applied to the "+" or marked on terminal.	



soberton inc.

DYNAMIC SPEAKER UNIT

Acoustic Product Specification

Product Number: SP-2506Y



Release | Revision: A/2018

CONTENTS

This document contains the technical specifications for the dynamic speaker.

Page 1

Speaker Specification

Page 2

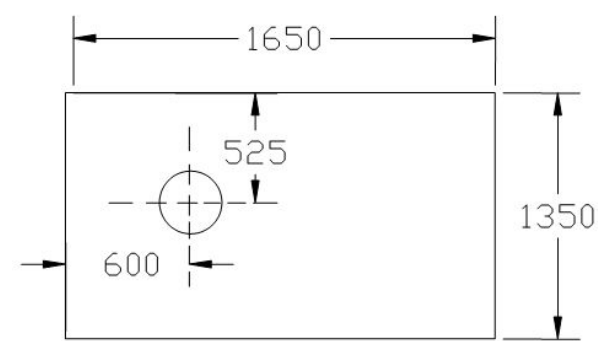
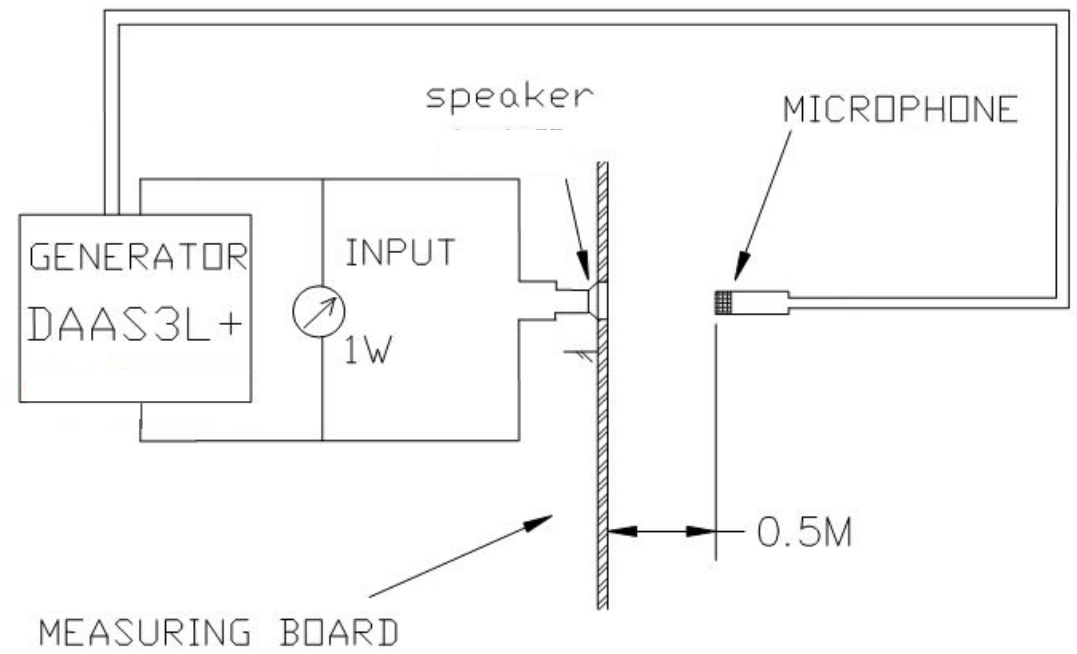
Measuring Circuit

Typical Frequency Response Curve

Page 3

Dimensions

Measuring Circuit



MEASUREMENT

Typical Frequency Response Curve





soberton inc.

DYNAMIC SPEAKER UNIT

Acoustic Product Specification

Product Number: SP-2506Y



Release | Revision: A/2018

CONTENTS

This document contains the technical specifications for the dynamic speaker.

Page 1

Speaker Specification

Page 2

Measuring Circuit

Typical Frequency Response Curve

Page 3

Dimensions

Dimensions

Tolerance: $\pm 0.2\text{mm}$

