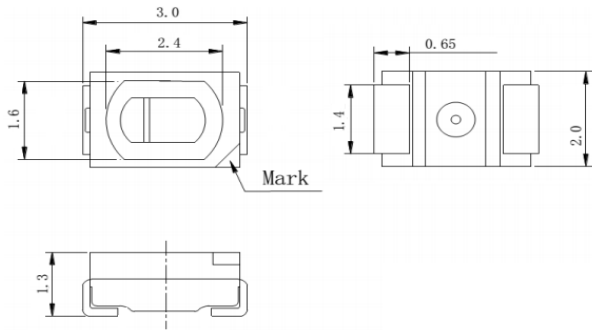


PRODUCT CHANGE NOTIFICATION

| | | | |
|---|--|-----------------------------|-------------------|
| PCN No.: | 10053 | Date of Issue: | 2017/04/14 |
| Title of Change: | Lead Frame Change | PCN Effective Date: | 2017/04/14 |
| Type of Change: | Minor Cosmetic Change (Lead Frame Change) | Last Time Buy Date: | N/A |
| Change Description: | Beginning immediately, QT-Brightek will begin shipment of 3020 (QBLP676-XX) LED series with a new lead frame. This is a drop-in replacement and will not affect any form, fit or function. No re-design for existing applications is required. Customers may receive shipments containing both the current and new lead frame appearances in the same shipment until QT-Brightek's inventory of the current lead frame LEDs appearance is depleted. | Last Time Ship Date: | N/A |
| | | | |
| Reason for Change: | The lead frame supplier stopped producing original lead frame (old). A new lead frame (drop-in replacement) will be used | | |
| Lot Number Identification | New lead frame will show a new lot number style on the QT-Brightek label in this format: XXXXXX-ZZ-YYYYMMDD | | |
| Effect of Change on Product Fit, Form, or Function | Fit: Remains Unchanged, Form: Remains Unchanged, Function: Unchanged. New lead frame is compatible with the solder pad of the old lead frame. All other mechanical, electrical and optical parameters remain unchanged. No re-design for existing applications is required. | | |
| | <p>Reference To Change Types:</p> <ul style="list-style-type: none"> ■ Acquisition (Complete) ■ Acquisition (Partial) ■ Fabrication Site Change / Qualification / Country of Origin / New Subcontractor ■ Obsolescence ■ Cosmetic Change ■ Name Change ■ Nomenclature Change ■ Reversal ■ Process Change ■ Design Change / Data Sheet Spec Change ■ Packaging and Media ■ Storage and Handling ■ Logistics ■ Roadmap ■ Quality Alert Notifications ■ Multiple Types ■ Environmental Announcement ■ New Component or Raw Material Added ■ Other | | |
| | | 10/10/2010 | Revision A |

| Datasheet Version | |
|-------------------|------|
| Old | New |
| V2.2 | V3.0 |

Old Lead Frame



New Leadframe

