

Figure 7: EPC9115 Demonstration board schematic - Power

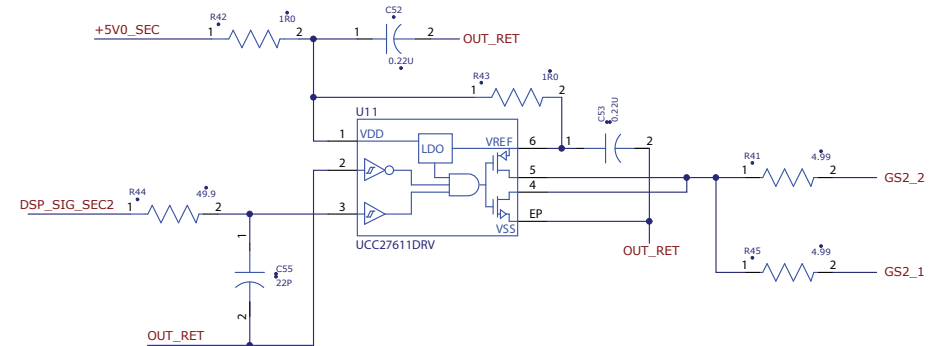
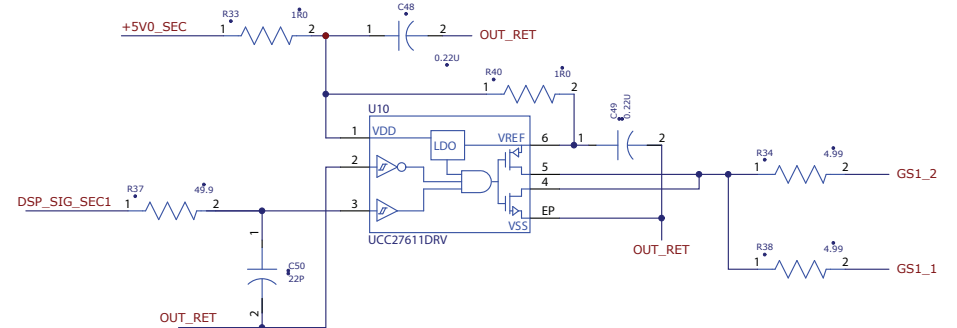
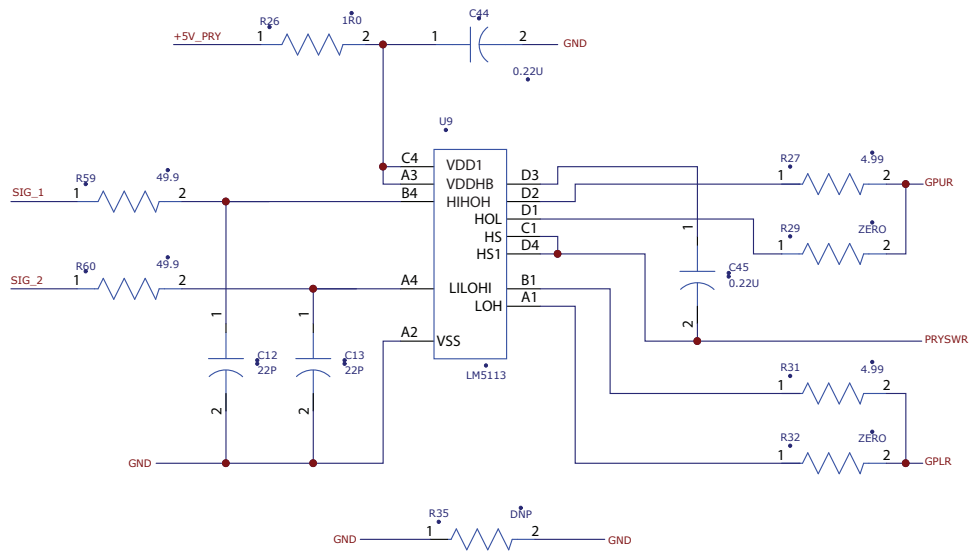
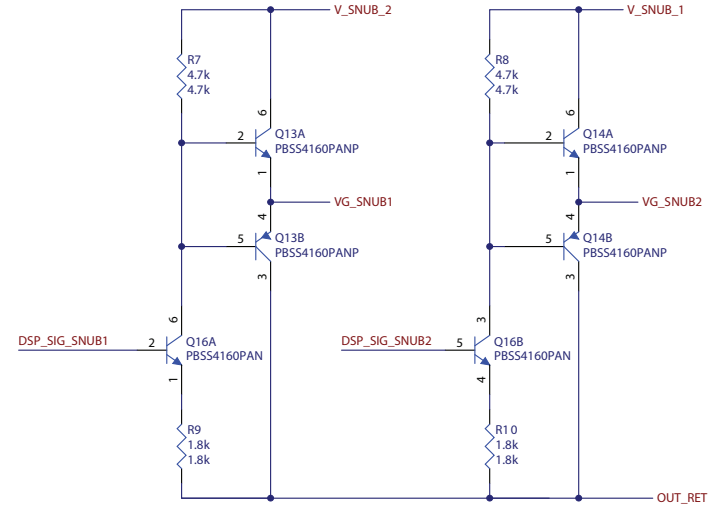
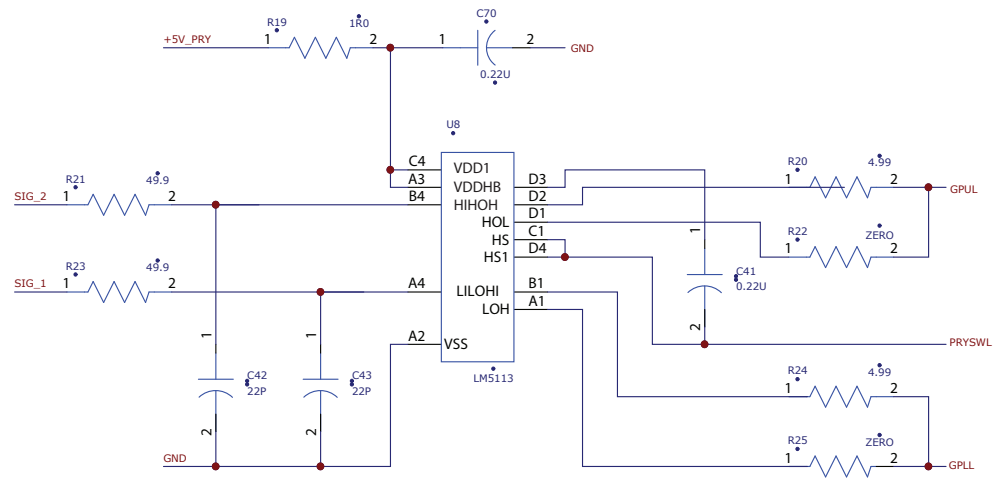


Figure 8: EPC9115 Demonstration board schematic – Gate Drive

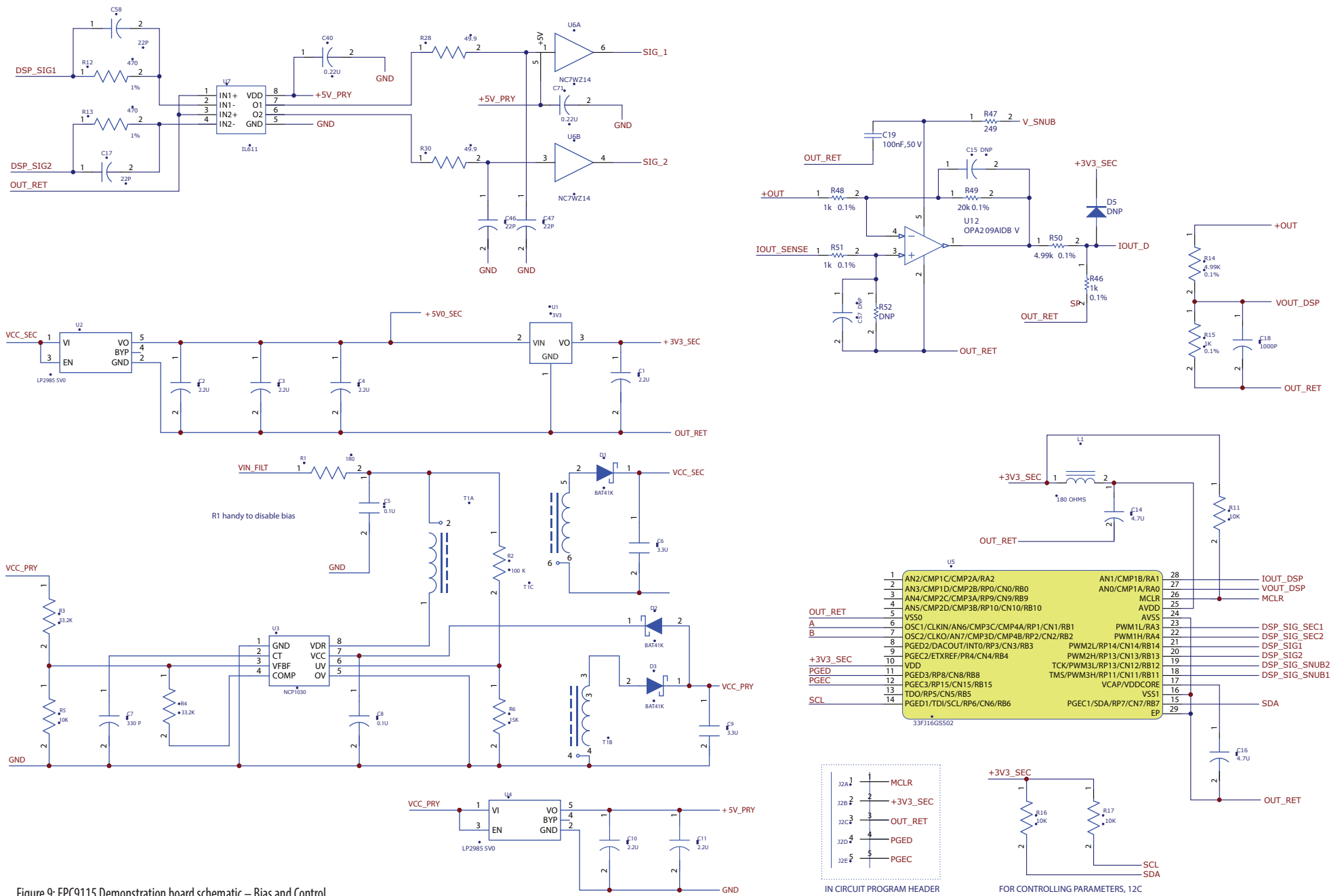


Figure 9: EPC9115 Demonstration board schematic – Bias and Control