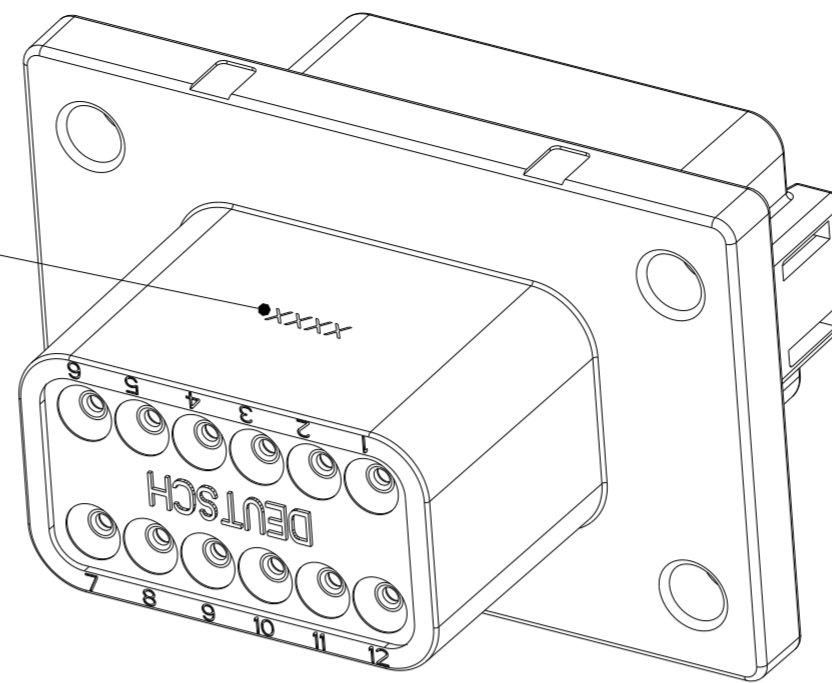
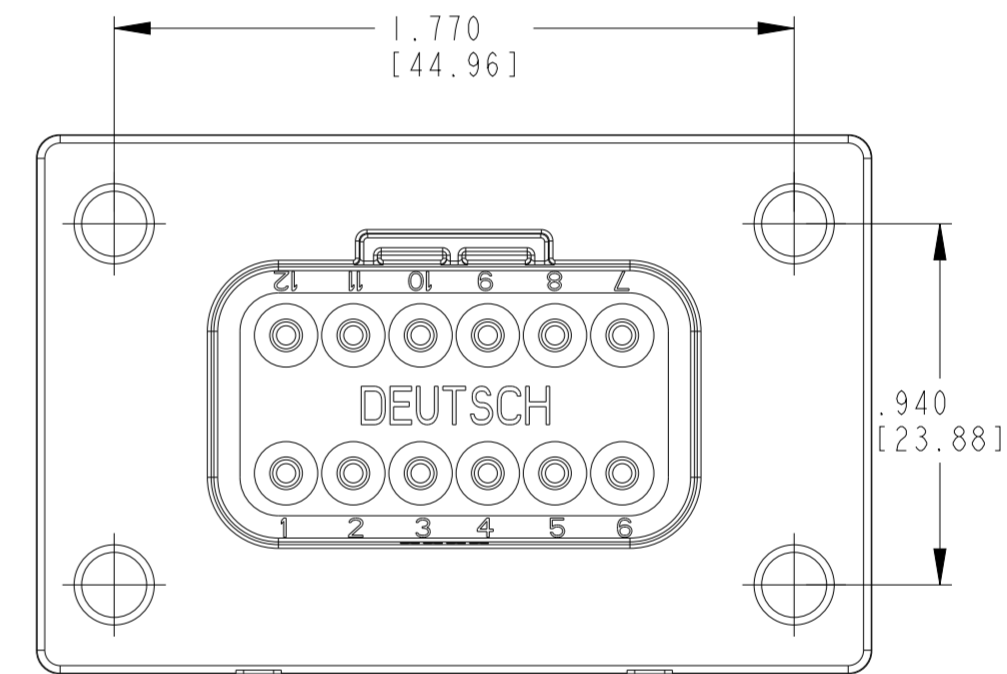
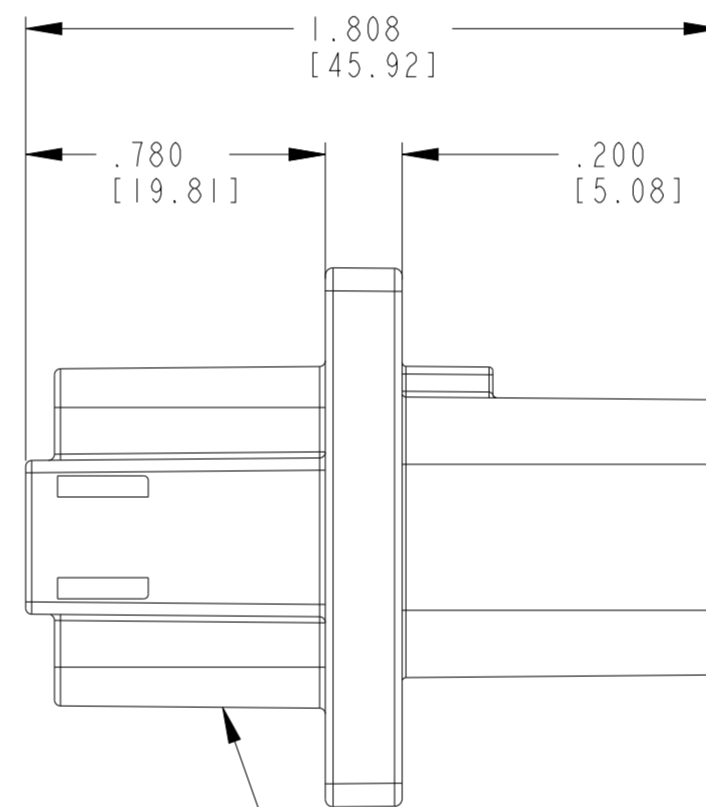
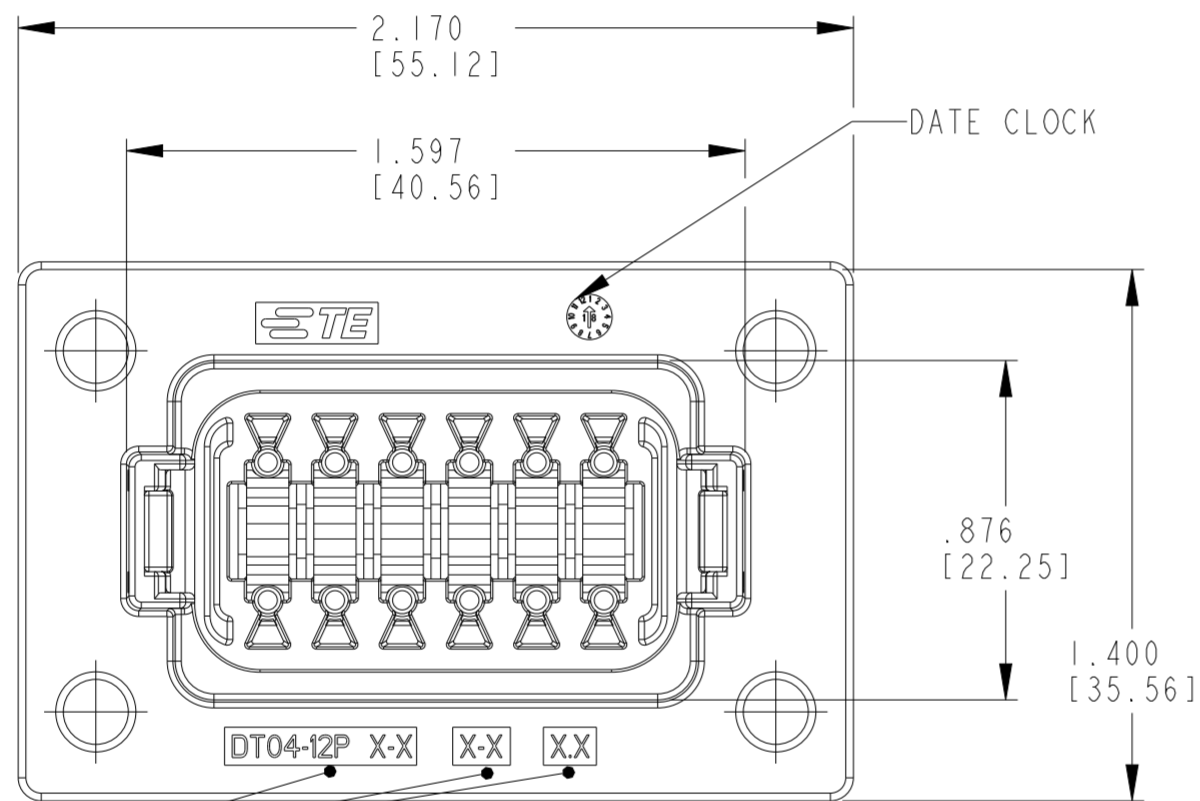


PART NUM.
MODIFICATION



3-DIMENSIONAL VIEW

REVISIONS					
P	LTR	DESCRIPTION	DATE	DWN	APVD
-		RELEASE PER E.O. P19542	12JUN2007	-	RDR
A		REVISED PER E.O. P19542	18MAY2010	-	RDR
D		REVISED PER E-20-009825	09JUL2020	PMV	IG
DI		REVISED PER PCN-22-157426	03NOV2022	MR	IG



TRACEABILITY
CODING

RECEPTACLE HOUSING

7. SECONDARY WEDGE LOCK SOLD SEPARATELY: W12P-XXXX.
(XXXX = ALL MODIFICATIONS)

6. RECOMMENDED SCREW: 6-32 [M4].
RECOMMENDED TORQUE: 20-25 IN-LB [2.26-2.82 Nm].

5. MATERIAL - HOUSING: PA66 GF15
GROMMET: VMO (ORANGE RED)

4. THIS RECEPTACLE MATES WITH DT06-12SX-XXXX PLUG.
(X = KEY ARR. A,B,C,D; XXXX = ALL MODIFICATIONS)
CONSULT FACTORY FOR MODIFICATIONS.

3. FOR CONTACT AND WIRE PERFORMANCE AND APPLICATION
CHARACTERISTICS, SEE ENVELOPE DRAWING 0425-015-0000.

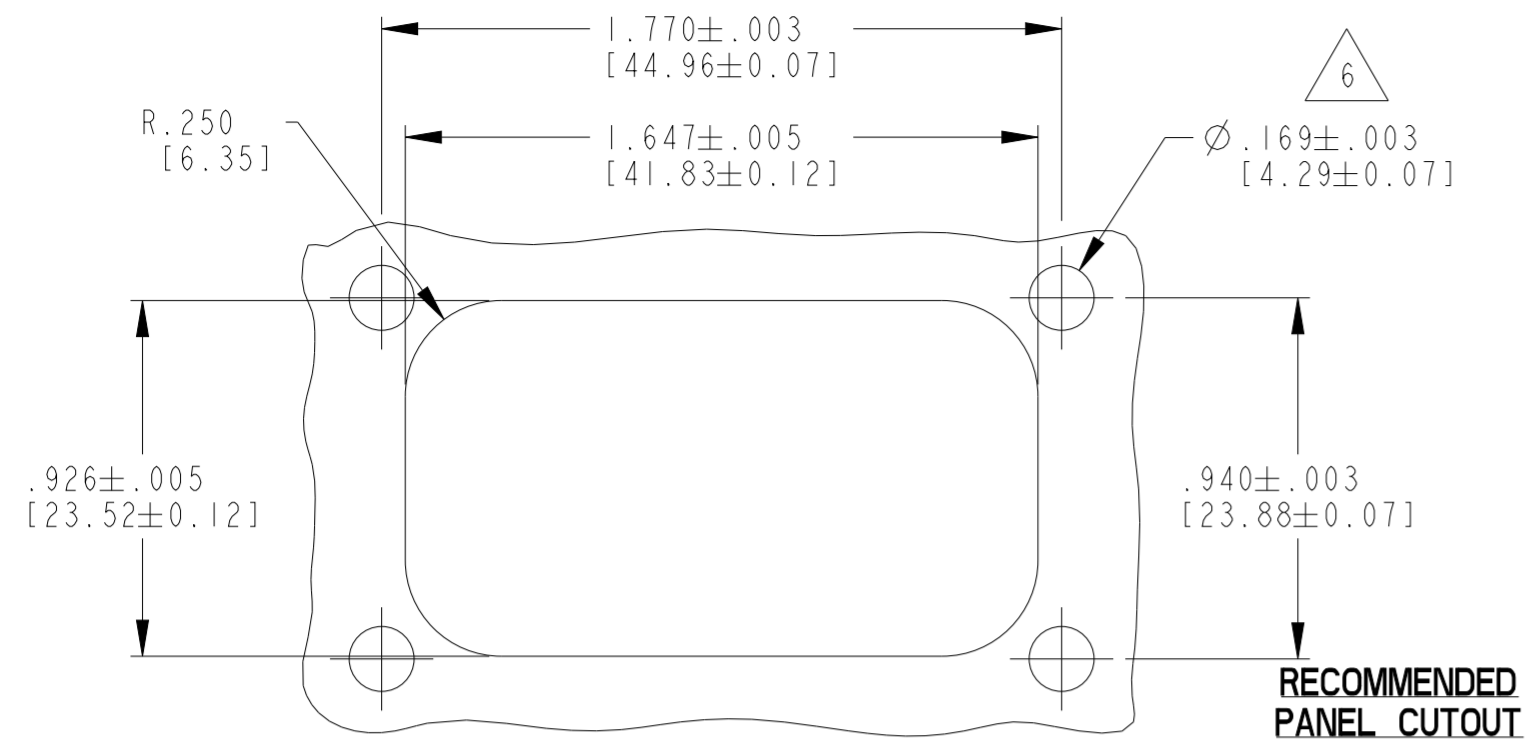
2. DELETED

NOTES: 1. DELETED

CONTACT SIZE	MIN. INSUL O.D.	MAX. INSUL O.D.	WIRE RANGE [mm ²] REF ONLY
16	.088 [2.24]	.145 [3.68]	14-20 AWG [2.0-0.5]

THIS DRAWING IS A CONTROLLED DOCUMENT.		DWN A MALAGON 16MAY2007	TE Connectivity	
DIMENSIONS: INCHES [MM]		CHK R MCCORD 14MAY2010		
TOLERANCES UNLESS OTHERWISE SPECIFIED:		APVD S BEARD 04MAY2010	NAME 12 WAY RECEPTACLE W/ FLANGE-LO12 MOD DT SERIES	
0 PLC ±	1 PLC ±	PRODUCT SPEC 108-151009	SIZE A2	
2 PLC ±	3 PLC ±.025 [0.64]	APPLICATION SPEC 114-151009	CAGE CODE 00779	DRAWING NO DT04-12PX-LO12
4 PLC ±	ANGLES ±0° 30' 0"	WEIGHT -	RESTRICTED TO -	SCALE 2:1
MATERIAL 5	FINISH -	CUSTOMER DRAWING	SHEET 1	OF 2
			REV DI	

P	LTR	DESCRIPTION	DATE	DWN	APVD
-	-	SEE SHEET 1	-	-	-

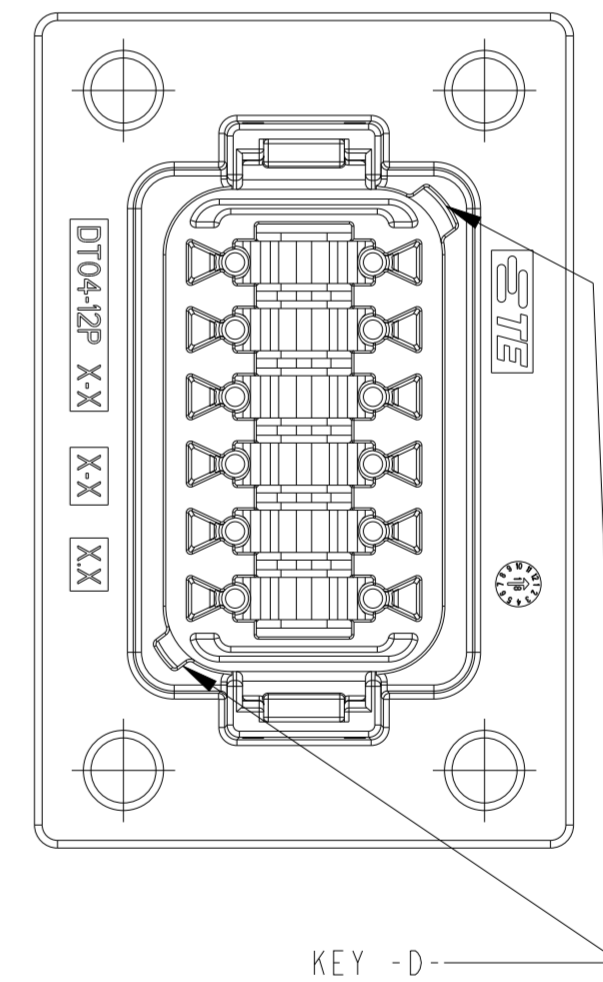
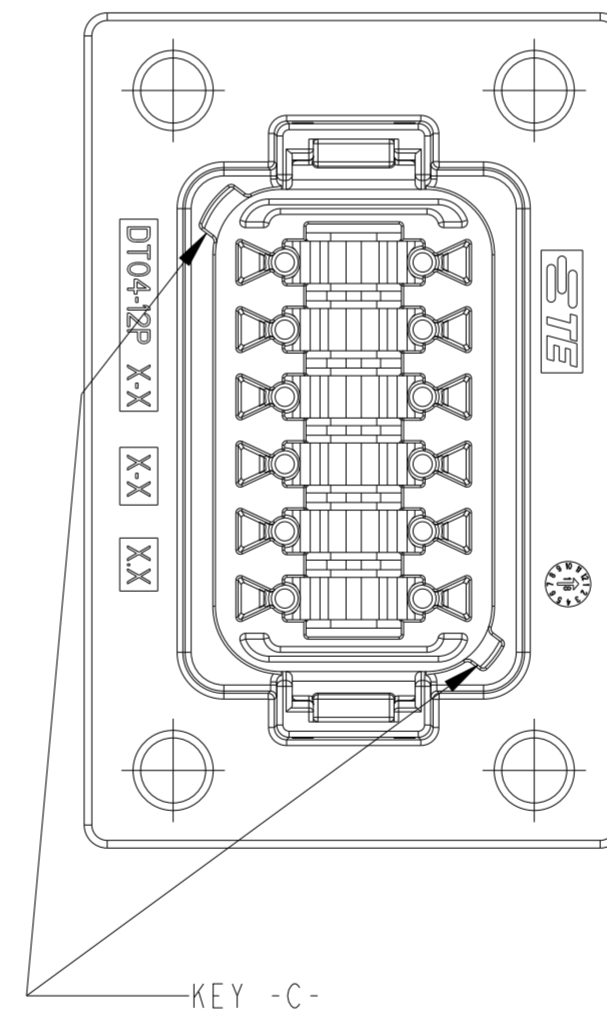
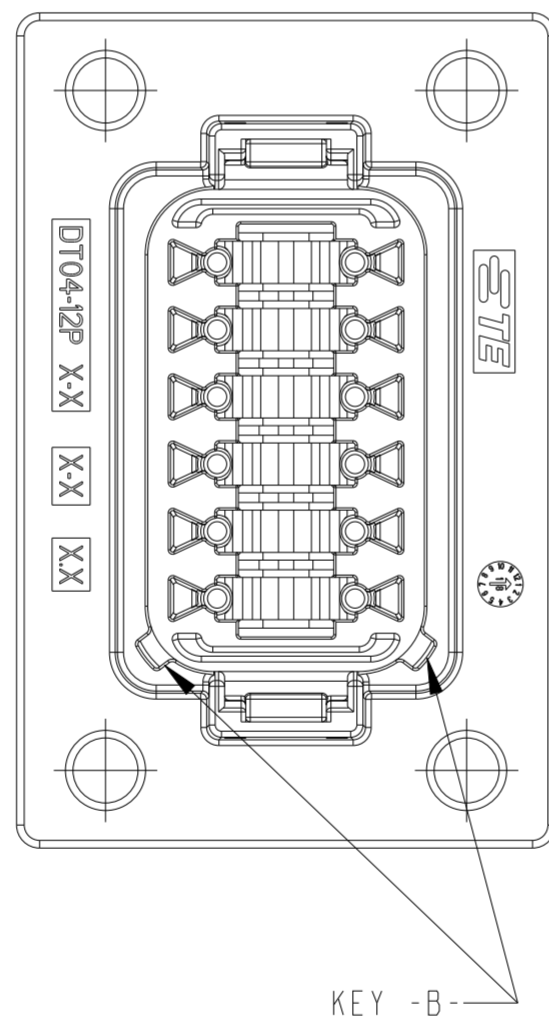
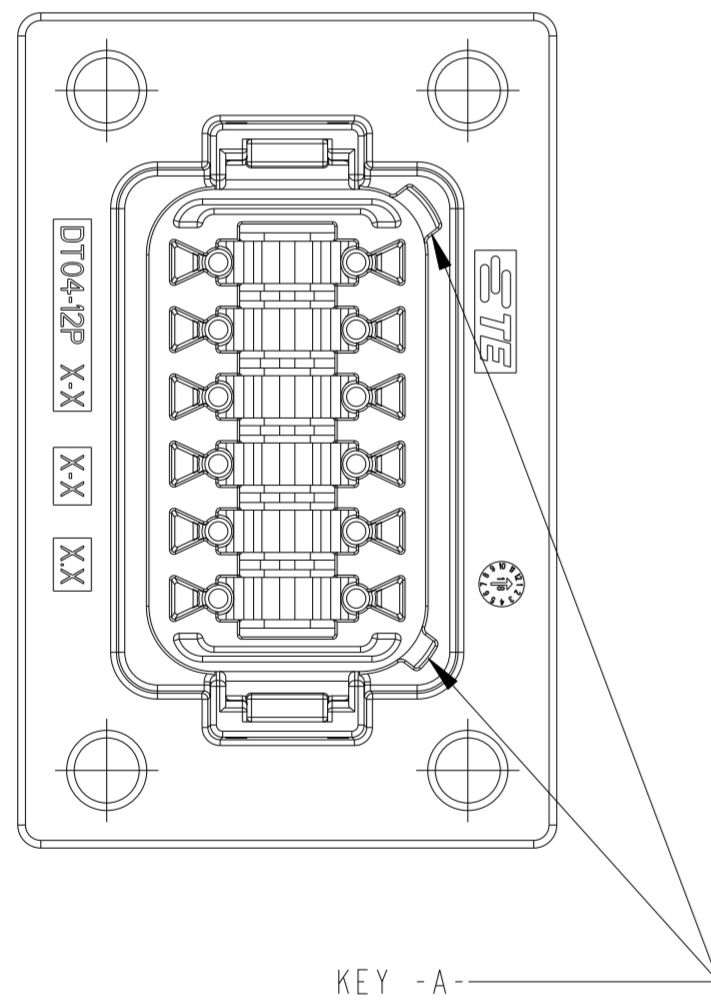


DT04-12PA-L012
KEY -A-
COLOR: GREY

DT04-12PB-L012
KEY -B-
COLOR: BLACK

DT04-12PC-L012
KEY -C-
COLOR: GREEN

DT04-12PD-L012
KEY -D-
COLOR: BROWN



THIS DRAWING IS A CONTROLLED DOCUMENT.		DWN A MALAGON 16MAY2007	TE Connectivity	
DIMENSIONS: INCHES[MM]		CHK R MCCORD 14MAY2010		
	TOLERANCES UNLESS OTHERWISE SPECIFIED:	APVD S BEARD 04MAY2010	NAME 12 WAY RECEPTACLE W/ FLANGE-L012 MOD DT SERIES	
	0 PLC ±	PRODUCT SPEC 108-151009	SIZE A2	CAGE CODE 00779
	1 PLC ±	APPLICATION SPEC 114-151009	DRAWING NO C-DT04-12PX-L012	RESTRICTED TO -
	2 PLC ±	WEIGHT -	SCALE 2:1	SHEET 2 OF 2
3 PLC ±.025 [0.64]	MATERIAL	CUSTOMER DRAWING	REV D1	
4 PLC ±	FINISH			
ANGLES ±0°30'0"				