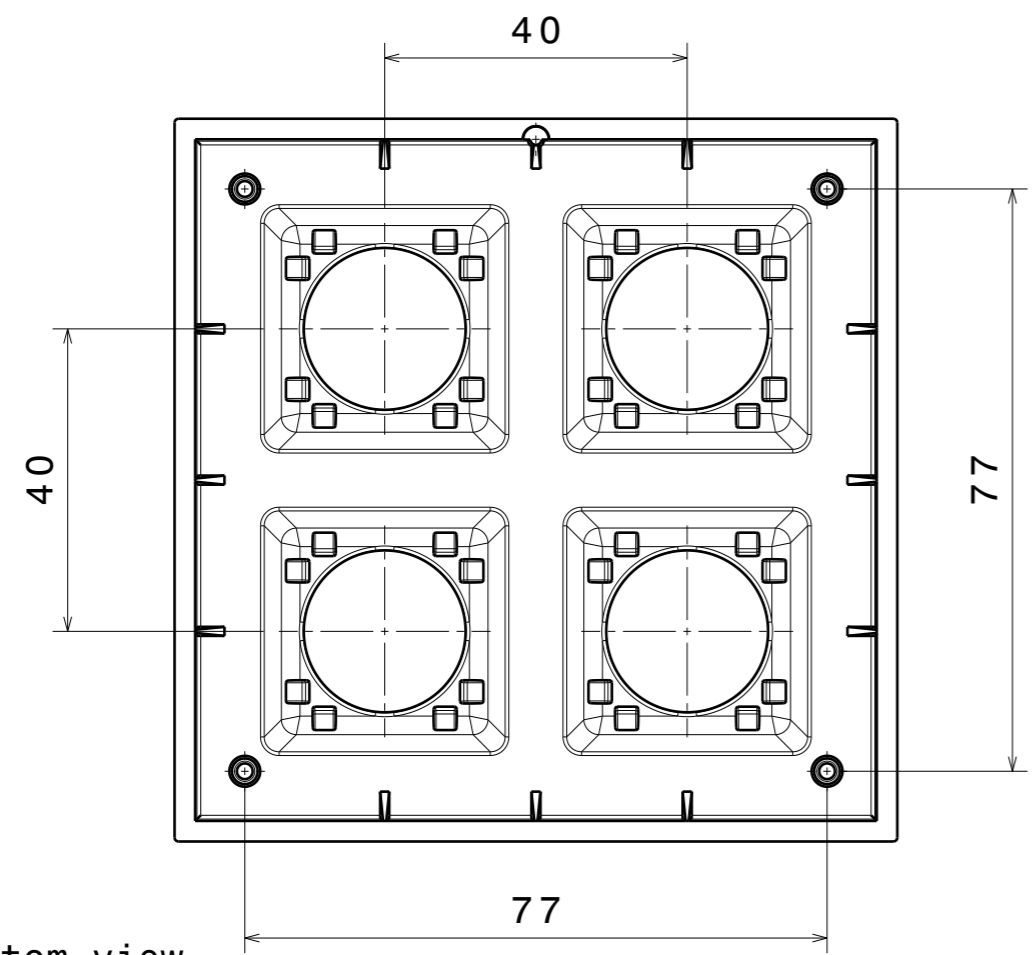
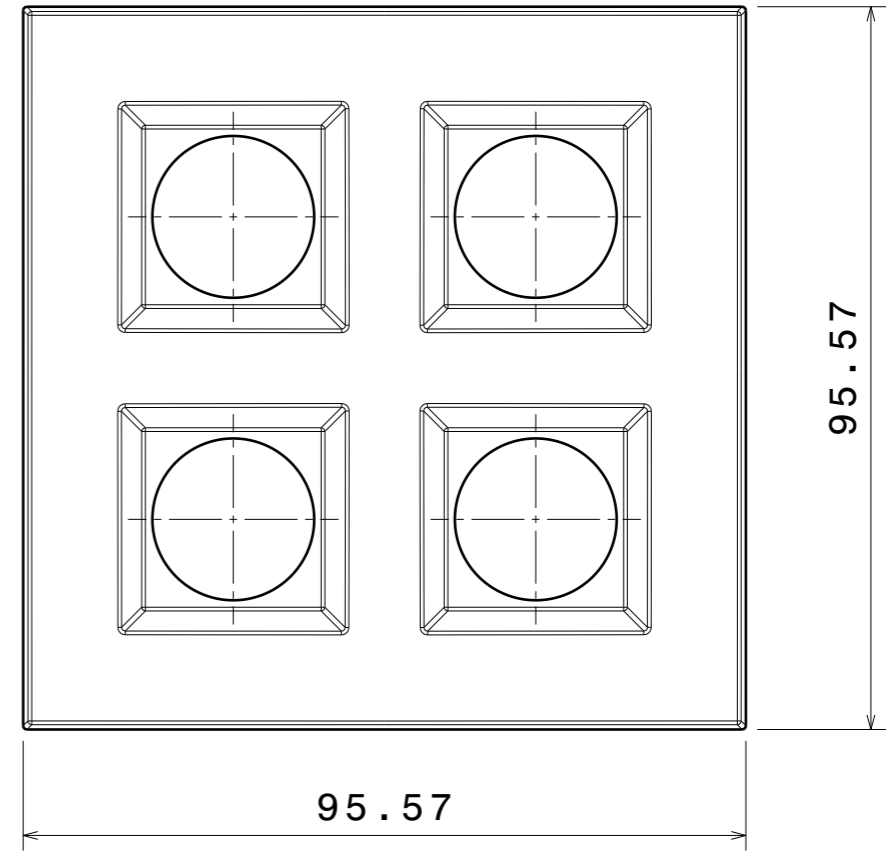


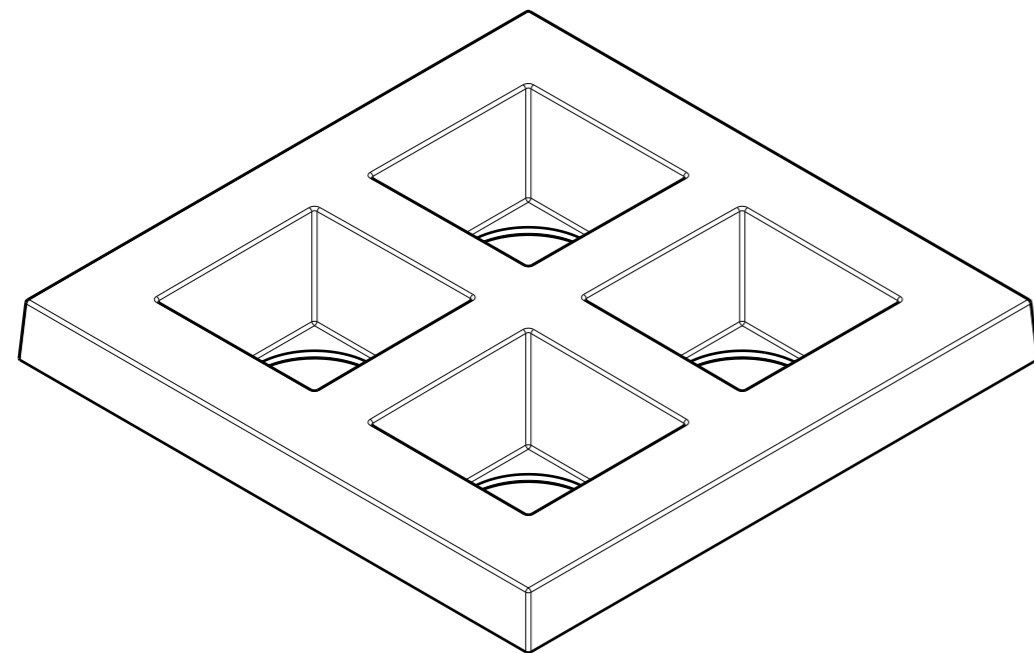
H G F E D C B A



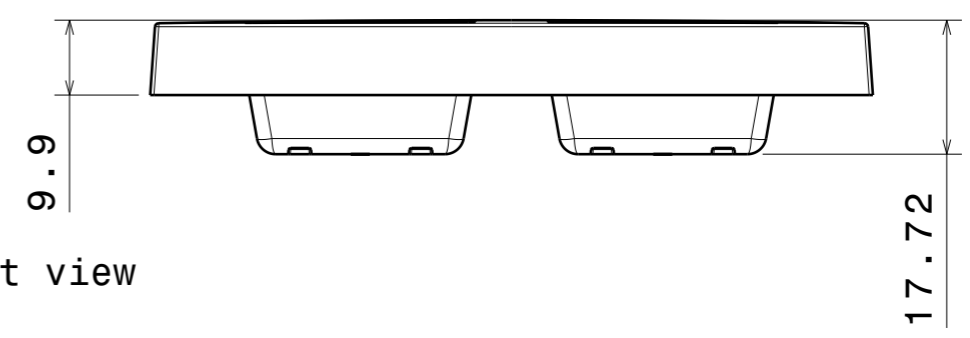
Bottom view



Top view



Isometric view



Front view

INDEX	PART NO	DESCRIPTION	MATERIAL	COLOUR
1	C14734	FLORENTINA-2X2-SHD	PC	black

Tolerances if not otherwise shown
 According to DIN ISO 2768-1
 Linear measures:
 up to 30mm class M, otherwise class C
 According to DIN ISO 2768-2
 Form and position: class L

LEDiL LediL Oy
 Salorankatu 10
 FIN 24240 SALO
 Finland

THIRD ANGLE PROJECTION:

DRAWING TITLE
C14734_FLORENTINA-2X2-SHD

This drawing is the property of LEDiL Oy. It may not be reproduced, copied or communicated without a written agreement with LEDiL Oy.

SIZE	PART NUMBER
A3	C14734

SCALE	1:1	WEIGHT	35,98 g	SHEET	1/1
-------	-----	--------	---------	-------	-----

H G B A