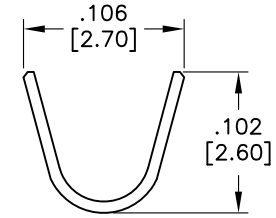
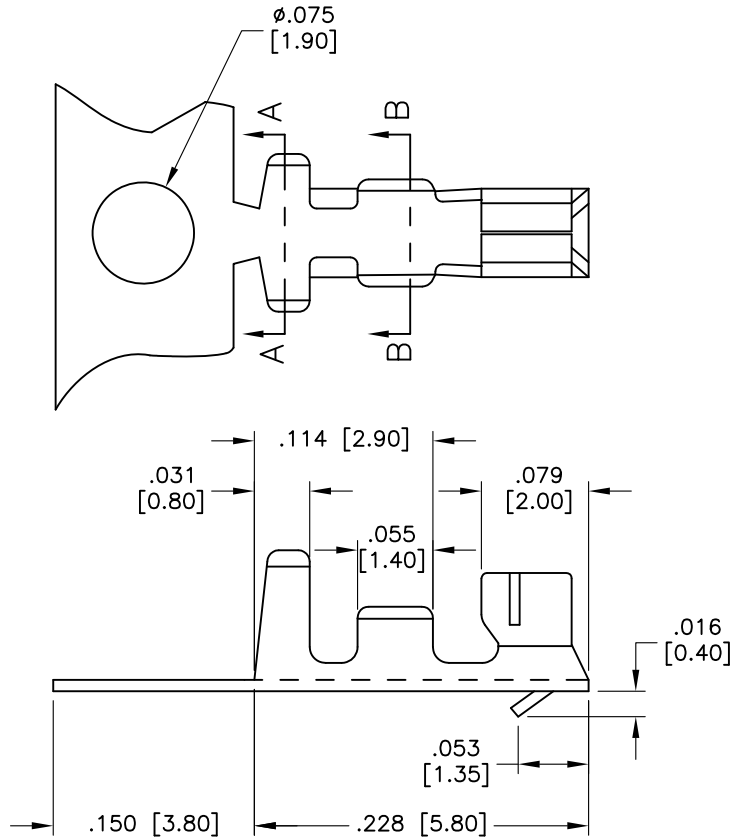
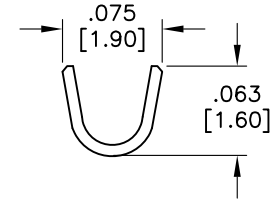
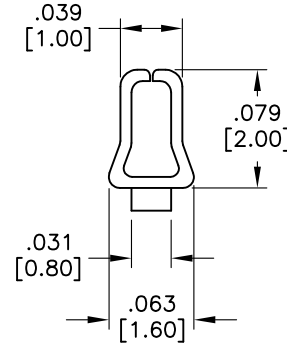


APPROVED: \_\_\_\_\_  
 DATE: \_\_\_\_\_ TITLE: \_\_\_\_\_

Rev	AWO #	Description	Date	Appr
-		RELEASED	6/08/09	
A		UPDATE DIM. & SPEC.	2/10/20	AY/RC
B		UPDATE DIM. & SPEC.	2/22/21	LH/EY
C		UPDATE DIM. & SPEC.	2/24/21	LH/EY



SECTION A-A



SECTION B-B

SPECIFICATIONS:

Material:  
 Contact: Phosphor Bronze, Thickness= 0.20mm  
 Plating:  
 Tin over Copper underplate overall  
 Electrical:  
 Wire range: 24-28 AWG  
 Insulation O.D: 1.70mm (max)  
 Environmental:  
 Lead free, RoHS compliant



UNLESS OTHERWISE SPECIFIED  
 ALL DIMENSIONS ARE INCHES [MM]  
 TOLERANCES: EXCEPT AS NOTED  
 INCHES HOLES  
 .X ± .10 Ø.X ± .10  
 .XX ± .020 Ø.XX ± .015  
 .XXX ± .015 Ø.XXX ± .010

APPROVALS		DATE
DRAWN	DY	6/08/09
CHECKED		
APPROVED		



909 Rahway Avenue,  
 Union, NJ 07083  
 Phone: 908-687-5000  
 Fax: 908-687-5710

TITLE			
2.50MM PITCH CRIMP TERMINAL			
SIZE	PART NO.		REV.
X	25CTC-R		C
REF:	S00016T	SCALE:	NTS
		SHEET 1 OF 1	