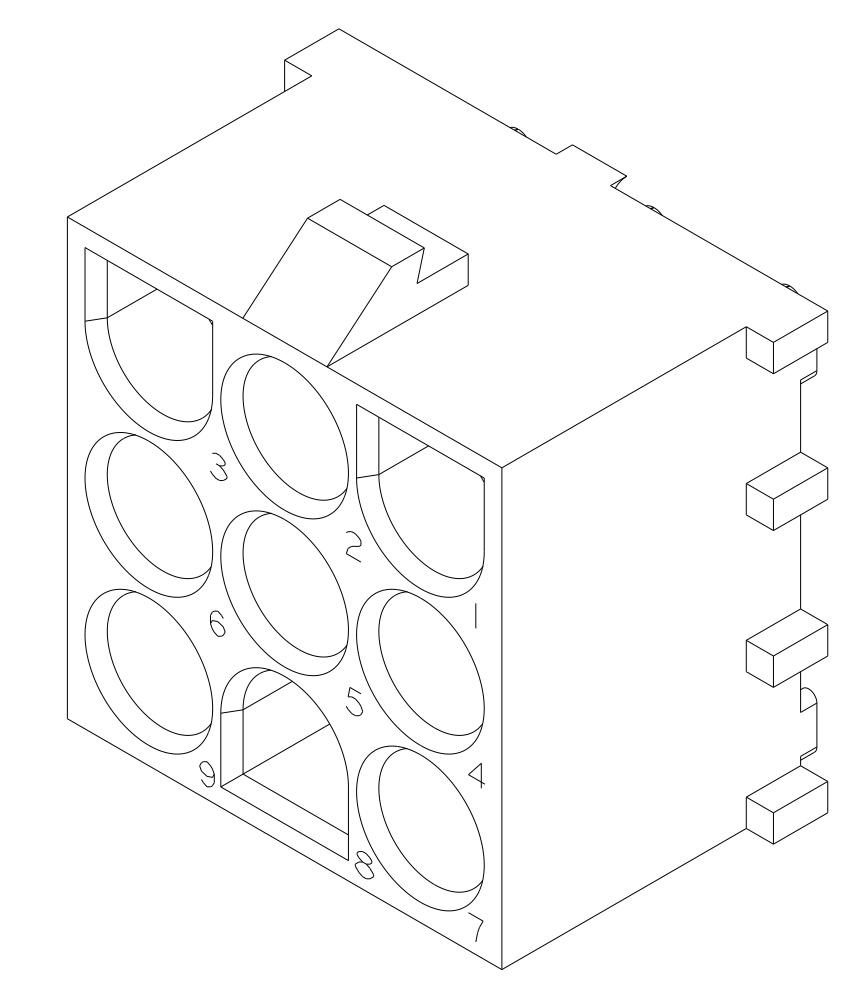
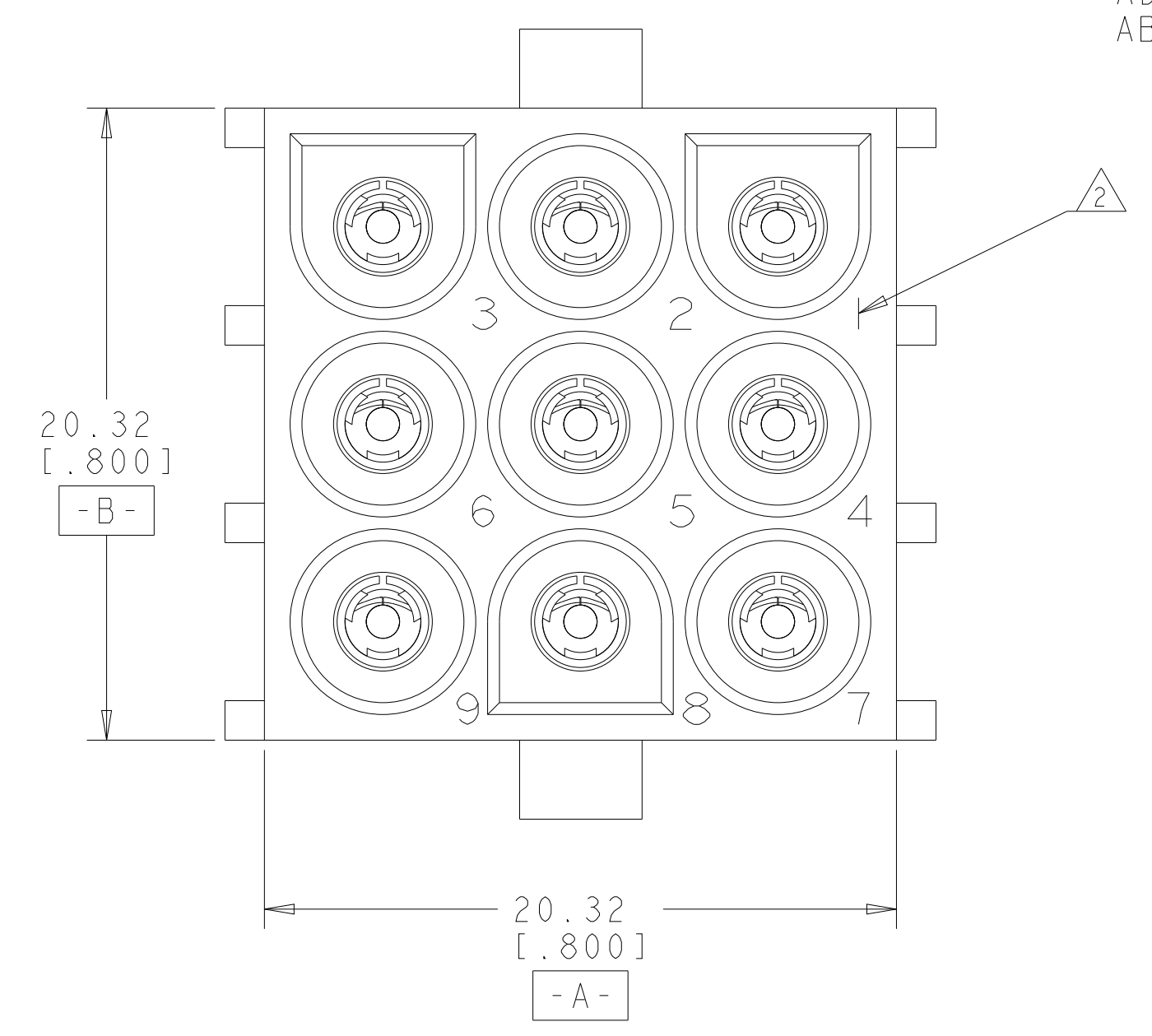
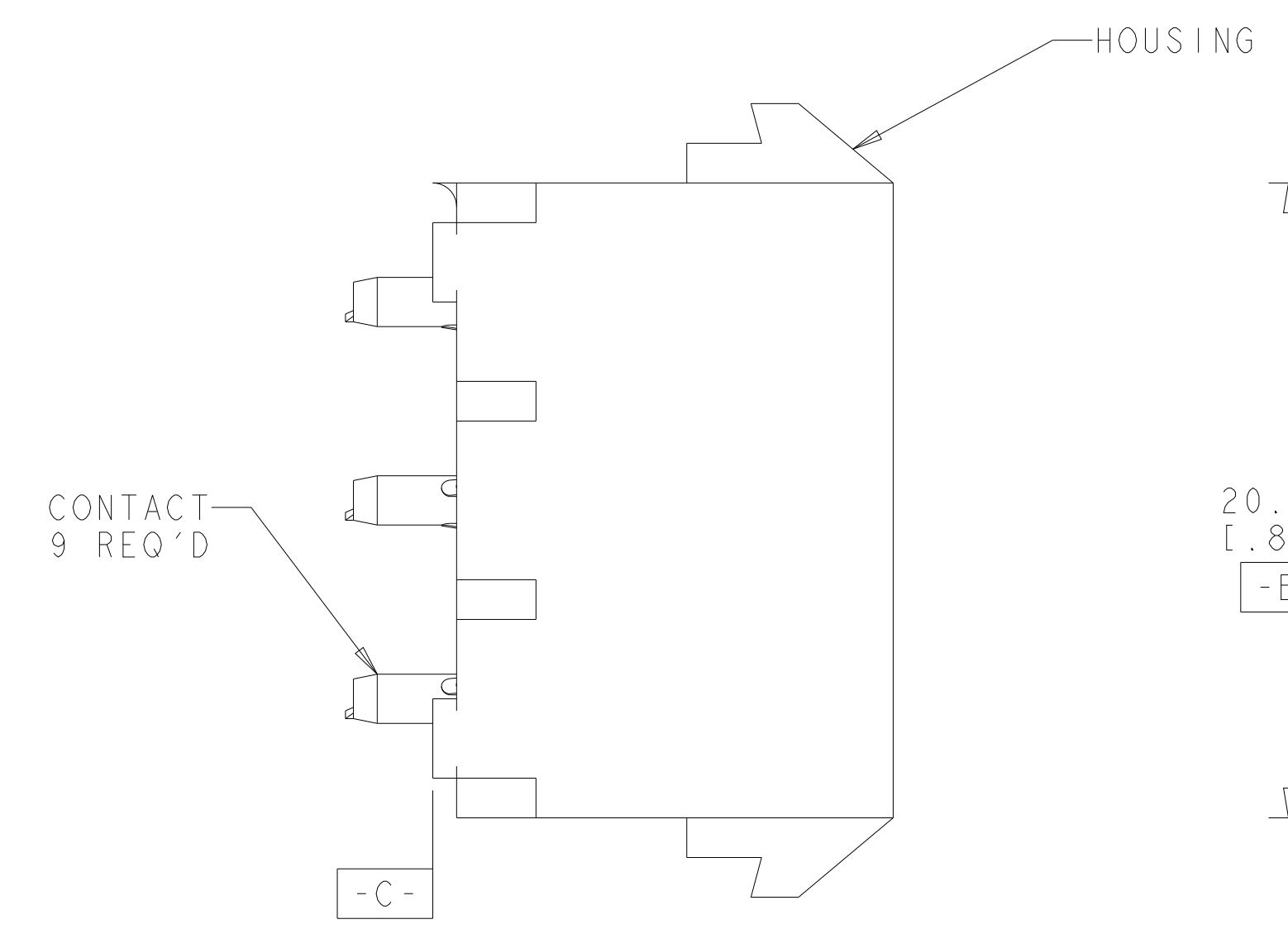
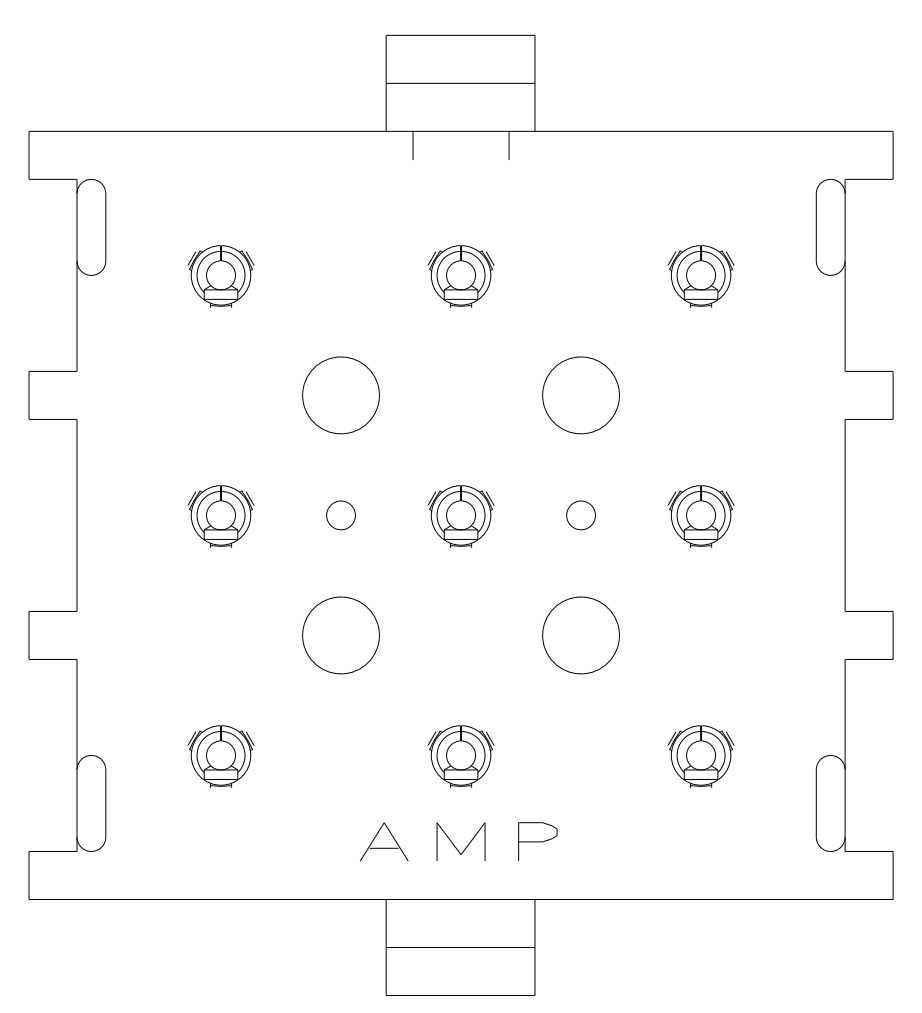
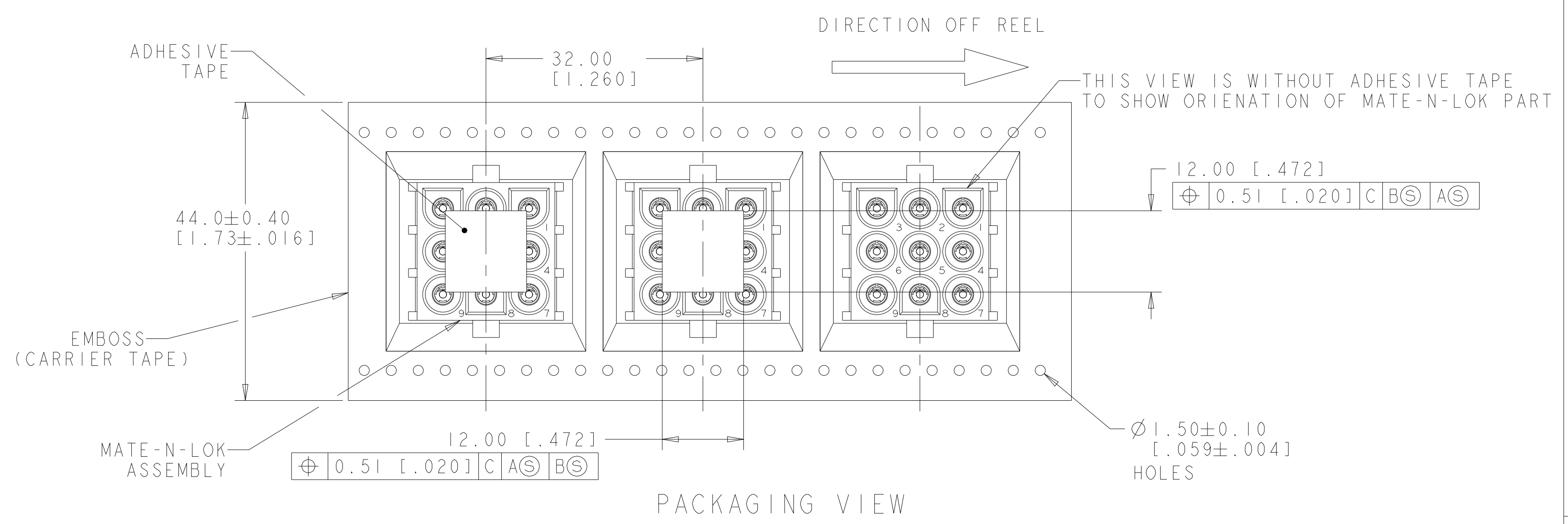
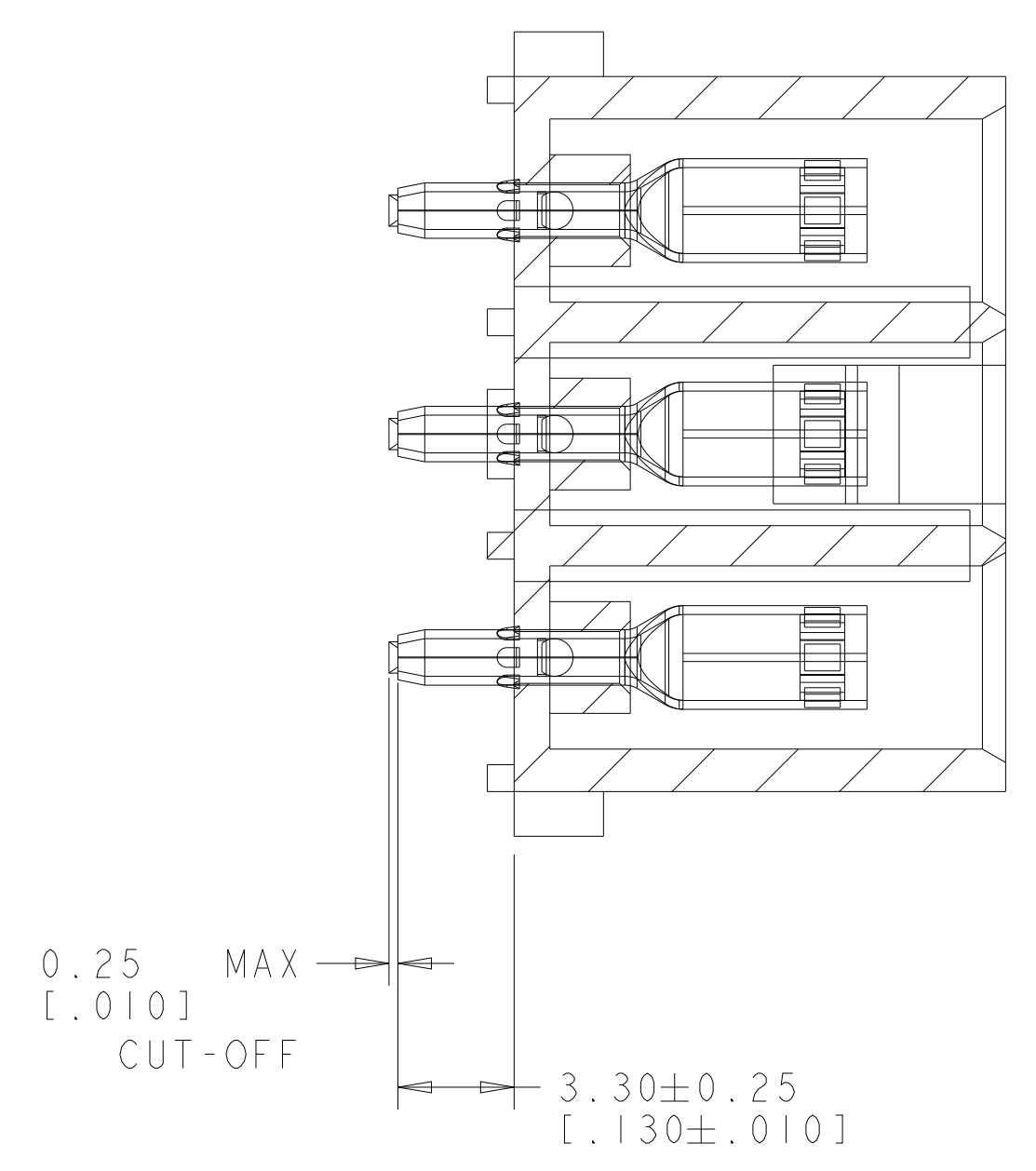
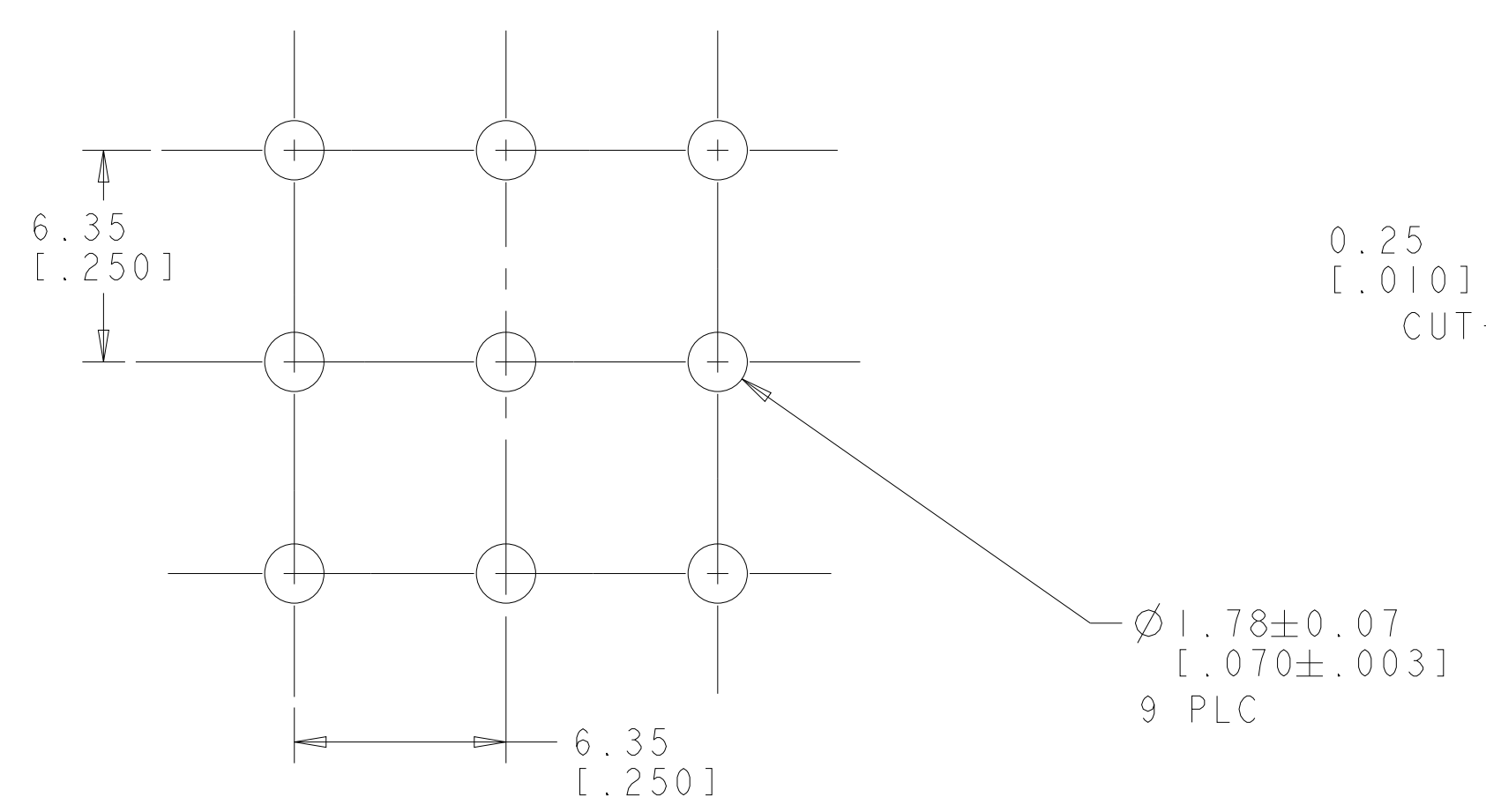


LOC		DIST		REVISIONS			
P	LTN	DESCRIPTION	DATE	DWN	APVD		
A7		REVISED PER ECR-21-119230	08NOV2021	SS	VS		

- 1 PARTS COMPLY TO AMP SOLDERABILITY SPECIFICATION 109-11-2.
- 2 CIRCUIT IDENTIFICATION CHARACTERS ARE ADJACENT TO THE INDICATED CAVITIES, BUT LOCATION AND ORIENTATION MAY DIFFER FROM PRINT.
- 3 TAPE & REEL PACKAGING.
- 4 ADHESIVE TAPE
5. DIMENSIONS SHOWN REPRESENT PRODUCT IN DRY CONDITION. ADDITIONAL 2% GROWTH DUE TO END USE LOCATION MOISTURE ABSORPTION MAY OCCUR AND SHOULD BE ACCOUNTED FOR.



3 DIMENSIONAL MODEL
SCALE 4:1



3 4	PHOSPHOR BRONZE, PRE-TIN	NYLON, UL94V-2, NATURAL	5-2029002-1
3	PHOSPHOR BRONZE, PRE-TIN	NYLON, UL94V-2, NATURAL	5-2029002-0
	PHOSPHOR BRONZE, PRE-TIN	NYLON, UL94V-2, NATURAL	2029002-1
REMARKS	PIN CONTACT MATERIAL AND FINISH	HOUSING MATERIAL AND COLOR	PART NUMBER

RECOMMENDED MOUNTING HOLE PATTERN FOR 1.57 [.062] THICK P.C. BOARD

THIS DRAWING IS A CONTROLLED DOCUMENT.

DIMENSIONS: mm [INCHES]	TOLERANCES UNLESS OTHERWISE SPECIFIED:	DWN: R. WHITAKER 26SEP2007	CHK: D. COLEY 26SEP2007	APVD: D. COLEY 26SEP2007	NAME: SOCKET HEADER ASSEMBLY, 9 CIRCUIT, SHORT TAIL UNIVERSAL MATE-N-LOK(TM)
0 PLC ±	1 PLC ±	2 PLC ±	3 PLC ±	4 PLC ±	ANGLES ±
MATERIAL: SEE TABLE		FINISH: SEE TABLE		WEIGHT: -	SIZE: A1

STE TE Connectivity
 ©=2029002
 SCALE 5:1 SHEET 1 OF 1 REV A7