

4

3

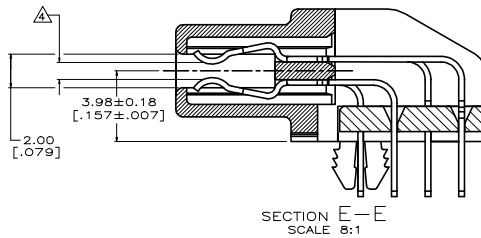
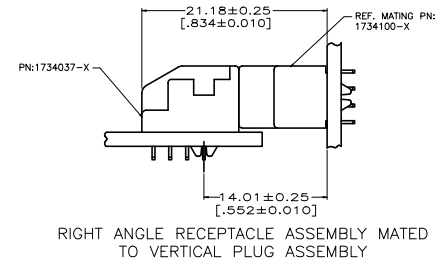
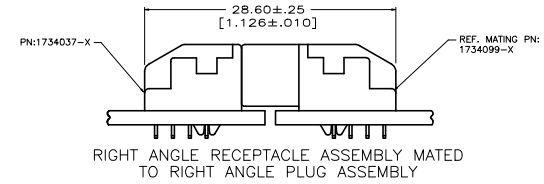
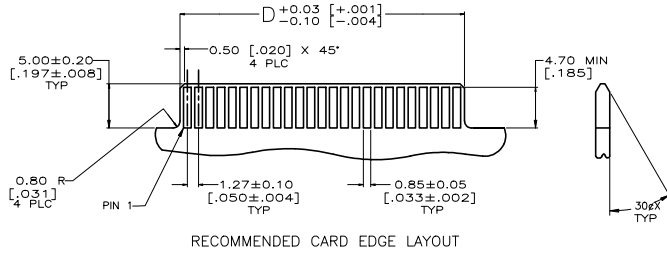
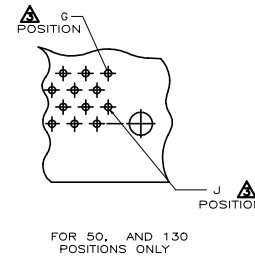
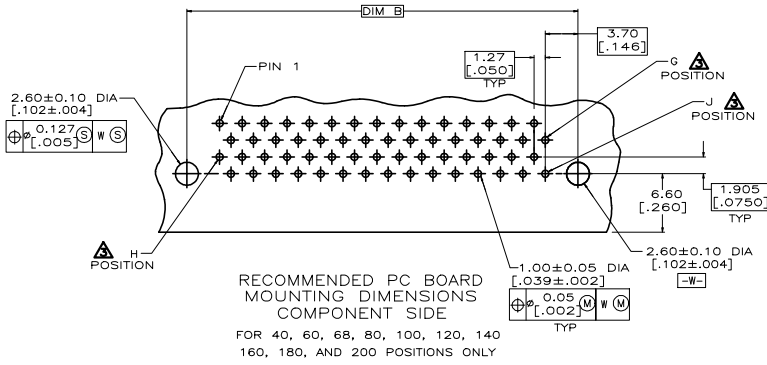
2

1

© - TE Connectivity. All Rights Reserved.

REVISIONS

P	LTR	DESCRIPTION	DATE	DWN	APVD
-	-	SEE SHEET 1	-	-	-



THIS DRAWING IS A CONTROLLED DOCUMENT.

DIMENSIONS: mm

TOLERANCES UNLESS OTHERWISE SPECIFIED:

0 PLC	±
1 PLC	-
2 PLC	±
3 PLC	±
4 PLC	±
ANGLES	±

MATERIAL FINISH

DWN	-
CHK	-
APVD	-
PRODUCT SPEC	-
APPLICATION SPEC	-
WEIGHT	-

TE TE Connectivity Ltd.

RECEPTACLE ASSEMBLY, R/A, BTB, CHAMP.050, SERIES I

SIZE	CAGE CODE	DRAWING NO	RESTRICTED TO
A3	00779	C=1734037	-

CUSTOMER DRAWING SCALE SHEET 2 OF 4 REV G3

4

3

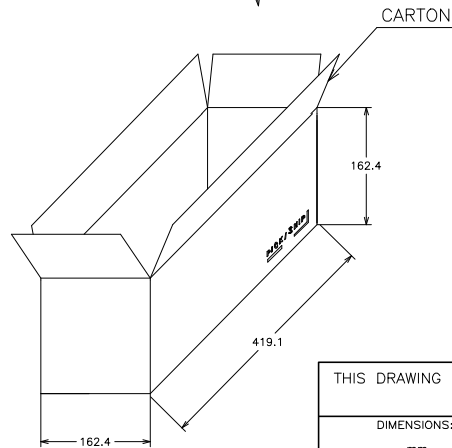
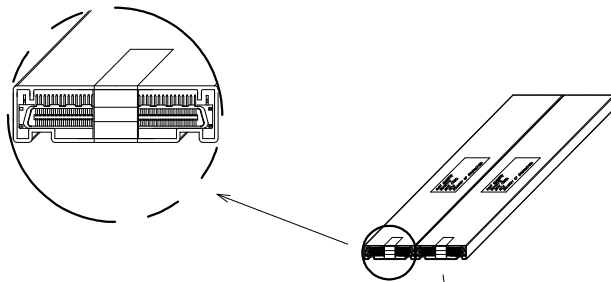
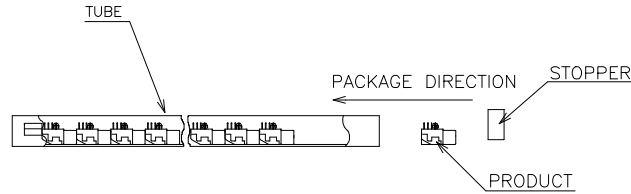
2

1

© - TE Connectivity. All Rights Reserved.

REVISIONS

P	LTR	DESCRIPTION	DATE	DWN	APVD
-	-	SEE SHEET 1	-	-	-



POS.	Q'TY/TUBE	TUBE/BOX	Q'TY/BOX	N/W (KG)	G/W (KG)	PART NUMBER
⑥ OBSOLETE	80	21	16	336	2.06	6-1734037-2 4-1734037-2 2-1734037-2 1734037-2
	100	21	16	336	2.55	3.40 5-1734037-0 3-1734037-0 1-1734037-0
	80	21	16	336	2.08	2.93 4-1734037-1 2-1734037-1 1734037-1

THIS DRAWING IS A CONTROLLED DOCUMENT.		DWN	-		
DIMENSIONS: mm		CHK	-		
TOLERANCES UNLESS OTHERWISE SPECIFIED:		APVD	-		
0 PLC ± -		PRODUCT SPEC	-		
1 PLC ± -		APPLICATION SPEC	-		
2 PLC ± -		WEIGHT	-		
3 PLC ± -		NAME			
4 PLC ± -		RECEPTACLE ASSEMBLY, R/A, BTB, CHAMP.050, SERIES I			
ANGLES ± -		SIZE	CAGE CODE	DRAWING NO	RESTRICTED TO
MATERIAL		A3	00779	C=1734037	-
FINISH		CUSTOMER DRAWING		SCALE	SHEET 3 OF 4 REV G3

4

3

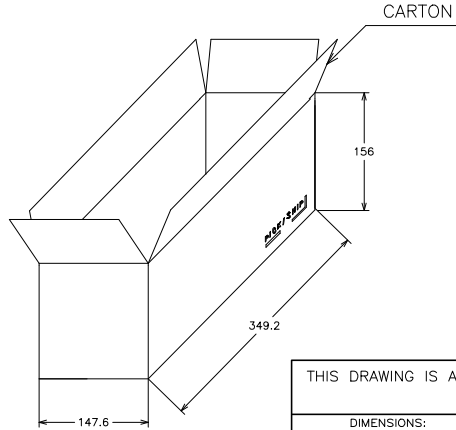
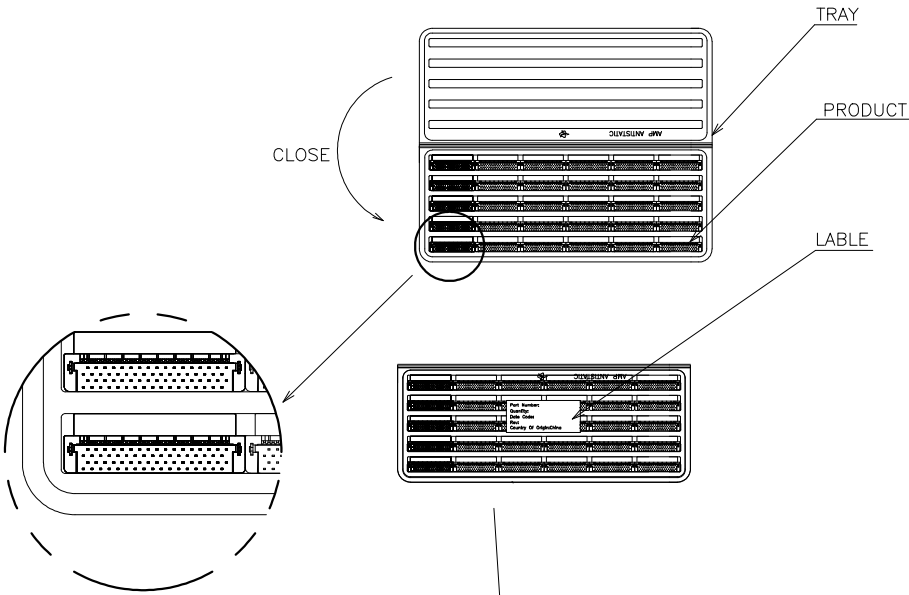
2

1

© - TE Connectivity. All Rights Reserved.

REVISIONS

P	LTR	DESCRIPTION	DATE	DWN	APVD
-	-	SEE SHEET 1	-	-	-



PET PACKAGE	40	45	10	450	1.55	2.45	5-1734037-4
	160	10	10	100	1.33	2.28	5-1734037-6
							3-1734037-6
							1-1734037-6
							5-1734037-4
Ⓢ OBSOLETE	140	15	10	150	1.67	2.62	3-1734037-4
							1-1734037-4
							2-1734037-0
	120	15	10	150	1.35	2.30	1-1734037-8
							1-1734037-2
Ⓢ OBSOLETE	100	20	10	200	1.43	2.43	5-1734037-1
							3-1734037-1
							1-1734037-1
	68	30	10	300	1.65	2.60	4-1734037-7
							2-1734037-7
							1734037-7
	60	30	10	300	1.60	2.60	4-1734037-6
							2-1734037-6
							1734037-6
	50	35	10	350	1.55	2.50	4-1734037-5
							2-1734037-5
							1734037-5
	40	45	10	450	1.55	2.45	4-1734037-4
							2-1734037-4
							1734037-4
POS.	Q'TY/ TRAY	TRAY/ BOX	Q'TY/ BOX	N/W (KG)	G/W (KG)	PART NUMBER	

THIS DRAWING IS A CONTROLLED DOCUMENT.		DWN	-
DIMENSIONS: mm		CHK	-
TOLERANCES UNLESS OTHERWISE SPECIFIED:		APVD	-
0 PLC	±	PRODUCT SPEC	-
1 PLC	±	APPLICATION SPEC	-
2 PLC	±	WEIGHT	-
3 PLC	±		
4 PLC	±		
ANGLES	±		
MATERIAL	FINISH		

STE TE Connectivity Ltd.			
RECEPTACLE ASSEMBLY, R/A, BTB, CHAMP.050, SERIES I			
SIZE	CAGE CODE	DRAWING NO	RESTRICTED TO
A3	00779	C=1734037	-
CUSTOMER DRAWING			SCALE - SHEET 4 OF 4 REV G3