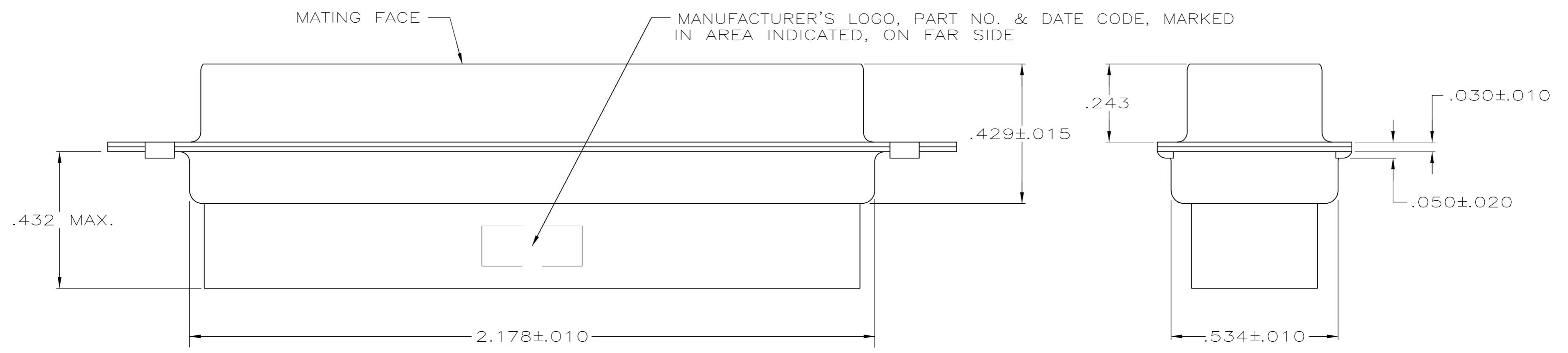
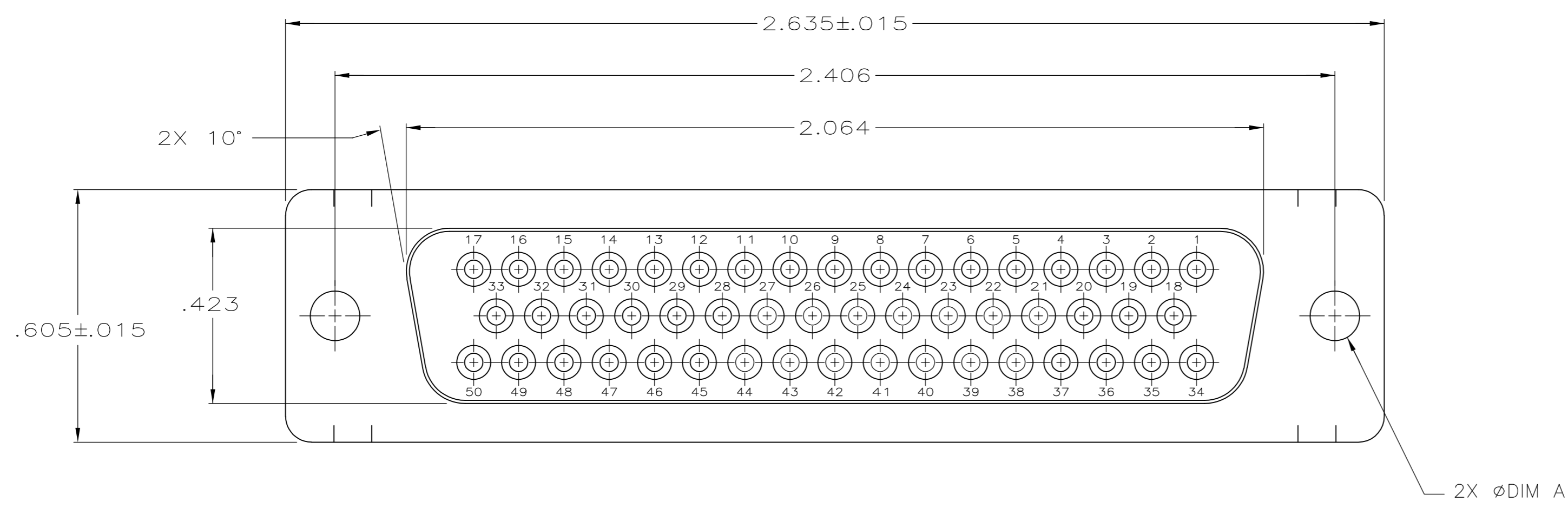


THIS DRAWING IS UNPUBLISHED. RELEASED FOR PUBLICATION  
 © COPYRIGHT - By - ALL RIGHTS RESERVED.

LOC	DIST	REVISIONS					
GP	00	P	LTR	DESCRIPTION	DATE	DWN	APVD
		D		REVISED PER ECO-14-011808	09AUG2014	AP	SB



- CONNECTOR ACCEPTS SIZE 20 DF SOCKET CONTACTS, RETENTION TINES ARE AN INTEGRAL PART OF INSERT.
- 2** MATERIAL:  
MOLDED PARTS - GLASS-FILLED PBT OR GLASS-FILLED NYLON, UL94V-0 RATED.  
COLOR: BLACK  
SHELLS - STEEL PER ASTM A109.
- 3** FINISH:  
SHELL - .000200 MIN TIN PLATE OVER .000100 MIN COPPER UNDERPLATE.
- 4** FINISH:  
SHELL - ZINC PLATED .000200-.000400 THICK, YELLOW CHROMATE COATING.

STANDARD	<b>4</b>	.120	1658640-2
STANDARD	<b>3</b>	.120	1658640-1
PACKAGING TYPE	FINISH	DIM A	PART NO.

THIS DRAWING IS A CONTROLLED DOCUMENT.

DWN	J. REITZEL	29 JUL 03
CHK	S. BOLASH	29 JUL 03
APVD	M. WALMSLEY	29 JUL 03

TE Connectivity

RECEPTACLE CONNECTOR, SIZE 5, 50 POS., AMPLIMITE HDP

SIZE	CAGE CODE	DRAWING NO	RESTRICTED TO
A2	00779	C=1658640	-

CUSTOMER DRAWING SCALE 4:1 SHEET 1 of 1 REV D

1658640