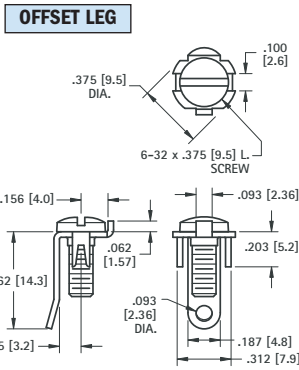


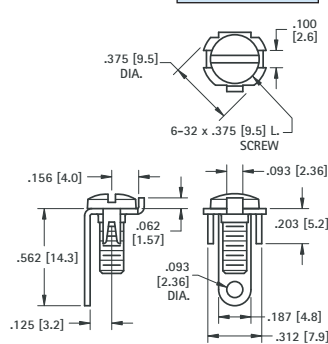
# SCREW TERMINALS



**SPECIFICATIONS**  
**Terminal:** .032 (.81) Steel, Tin Plate  
**Screw:** Steel, Nickel Plate  
 (Screw Installed & Captivated)  
**Rated:** 15 Amps

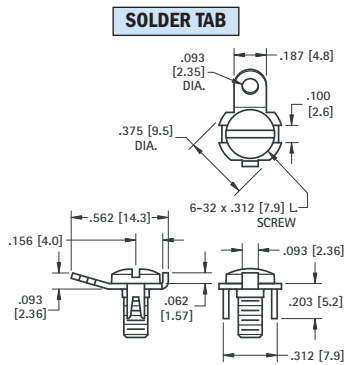
**CAT. NO. 1248**

## STRAIGHT LEG



**SPECIFICATIONS**  
**Terminal:** .032 (.81) Steel, Tin Plate  
**Screw:** Steel, Nickel Plate (Screw Installed & Captivated)  
**Rated:** 15 Amps

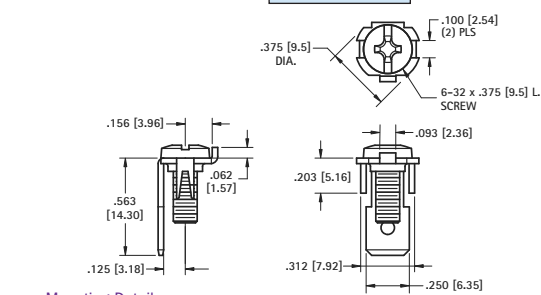
**CAT. NO. 1215**



**SPECIFICATIONS**  
**Terminal:** .032 (.81) Steel, Tin Plate  
**Screw:** Steel, Nickel Plate  
 (Screw Installed & Captivated)  
**Rated:** 15 Amps

**CAT. NO. 1232**

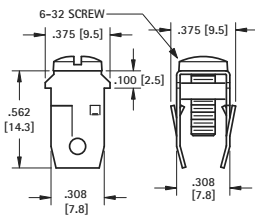
## QUICK FIT



**SPECIFICATIONS**  
**Terminal:** .032 (.81) Brass, Tin Plate  
**Screw:** Steel, Nickel Plate  
 (Screw Installed & Captivated)  
**Rated:** 15 Amps

**CAT. NO. 1217**

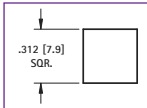
## SOLDER



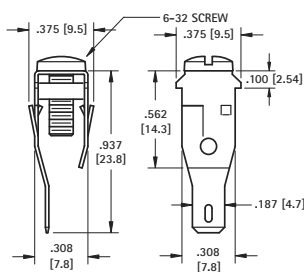
**SPECIFICATIONS**  
**Terminal:** .020 (.51) Steel, Tin Plate  
**Screw:** Steel, Zinc Plate,  
 (Screw Installed & Captivated)  
**Rated:** 15 Amps

**CAT. NO. 1272**

## Mounting Detail



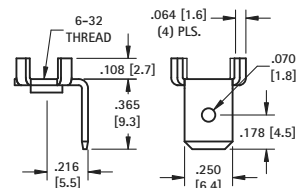
## QUICK-FIT



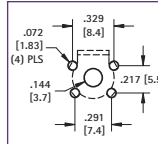
**SPECIFICATIONS**  
**Terminal:** .020 (.51) Steel, Tin Plate  
**Screw:** Steel, Zinc Plate,  
 (Screw Installed & Captivated)  
**Rated:** 15 Amps

**CAT. NO. 1273**

## QUICK-FIT



## Mounting Detail



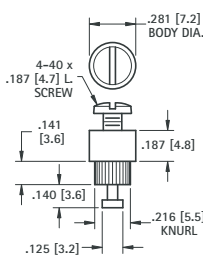
**SPECIFICATIONS**  
**Material:** .032 (.81) Brass, Nickel Plate  
**Rated:** 15 Amps  
**CAT. NO. 1247** (No Screw Supplied)  
**CAT. NO. 1251** (Screw Supplied)

Supplied Unassembled

# BINDING POST TERMINALS (RIVET TYPE)

**SPECIFICATIONS Terminal:** Brass, Tin Plate **Screw:** Steel, Zinc Plate (Screw Supplied Unassembled)

## 4-40

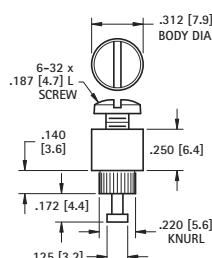


**Mounting Hole:** .220 (5.6)

**CAT. NO. 1537**

FOR .093 (2.38) BOARD

## 6-32

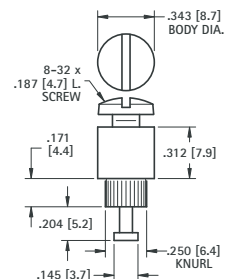


**Mounting Hole:** .225 (5.7)

**CAT. NO. 1535**

FOR .093 (2.38) BOARD

## 8-32



**Mounting Hole:** .255 (6.5)

**CAT. NO. 1536**

FOR .125 (3.2) BOARD