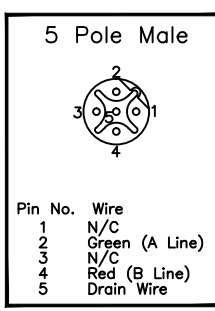


Fit label as shown 25mm from 'D' Sub

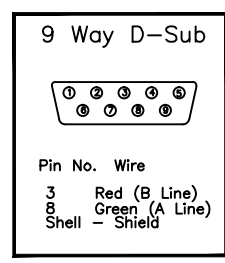
Note : Unit is supplied Un-Terminated ie: - Switch in OFF position

| POL | MATERIAL NUMBER | ENGINEERING NUMBER | FINISHED LENGTH                 |
|-----|-----------------|--------------------|---------------------------------|
| 5   | 1200980065      | BM5S62PP4M010      | 3.28' +2.19" -0 [1.0M +55.6 -0] |

Face View



Face View

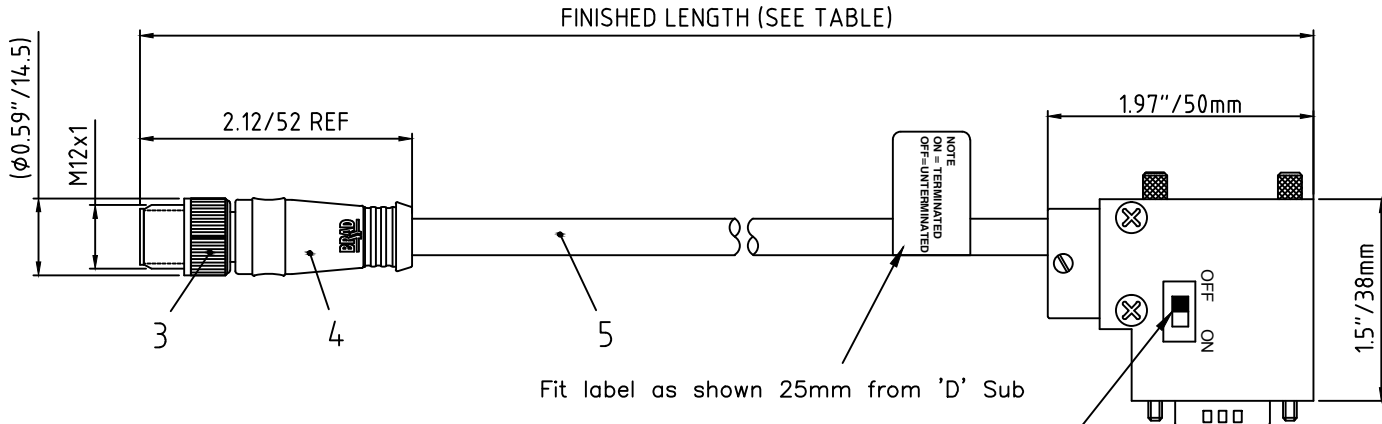
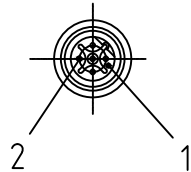


CONNECTOR SPECIFICATION:

|                       |   |
|-----------------------|---|
| VOLTAGE RATING        | 60V AC/DC   |
| AMPERAGE RATING       | 4 AMPS  |
| PROTECTION CLASS      | IP67  |
| OPERATING TEMPERATURE | STATIC: -40°C TO +80°C<br>FLEXING: -20°C TO +80°C |
| UL CERTIFICATIONS     | NOT APPLICABLE                                    |
| CSA CERTIFICATIONS    | NOT APPLICABLE                                    |

| ITEM | COMPONENT                        | MATERIAL           | FINISH           |
|------|----------------------------------|--------------------|------------------|
| 1    | INSERT                           | POLYURETHANE (PUR) | BLACK            |
| 2    | CONTACT MATERIAL                 | COPPER ALLOY       | GOLD OVER NICKEL |
| 3    | COUPLING NUT                     | BRASS              | NICKEL PLATED    |
| 4    | OVERMOLD                         | TPU                | YELLOW           |
| 5    | CABLE 2x0.2 <sup>2</sup> /24 AWG | JACKET: PUR        | JACKET: VIOLET   |

|  |                                   |  |                                |   |                                    |   |
|--|-----------------------------------|--|--------------------------------|---|------------------------------------|---|
| DESCRIPTION<br>EC NO: IP/G2012-0445<br>DRWN: BBRAUCH 28.02.12<br>CHKD: REISSNER<br>APPR: REISSNER 2010/01/28 | QUALITY SYMBOLS<br>▽ = 0<br>▽ = 0 | GENERAL TOLERANCES (UNLESS SPECIFIED)  | DIMENSION STYLE<br>IN/MM       | SCALE<br>2:1  | DESIGN UNITS<br>METRIC             | THIRD ANGLE PROJECTION  |
|  |                                   | 4 PLACES ± --- mm ± --- INCH<br>3 PLACES ± --- ± ---<br>2 PLACES ± --- ±0.1<br>1 PLACE ±0.3 ± ---<br>ANGULAR ± --- ° | DRAWN BY<br>BBRAUCH 2010/01/25 | CHECKED BY<br>NS 2010/01/28   | APPROVED BY<br>REISSNER 2010/01/28 | CSE M12 5P BC MA STR<br>DSUB PUR XM SHLD YL BRA<br>M12 PROFIBUS CABLE |
| 2  | REV                               | DRAFT WHERE APPLICABLE<br>MUST REMAIN<br>WITHIN DIMENSIONS   | SEE TABLE                      | MATERIAL NO.  | DOCUMENT NO.<br>SD-120098-034      | SHEET NO.<br>1 OF 1   |
|  |                                   |  | SIZE<br>A3                     | THIS DRAWING CONTAINS INFORMATION THAT IS PROPRIETARY TO MOLEX INCORPORATED AND SHOULD NOT BE USED WITHOUT WRITTEN PERMISSION |                                    |   |

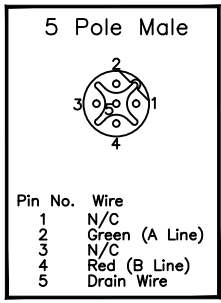


Fit label as shown 25mm from 'D' Sub

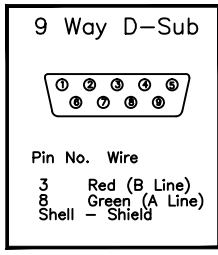
Note : Unit is supplied Un-Terminated ie: - Switch in OFF position

| POL | MATERIAL NUMBER | ENGINEERING NUMBER | FINISHED LENGTH                 |
|-----|-----------------|--------------------|---------------------------------|
| 5   | 1200980065      | BM5S62PP4M010      | 3.28' +2.19" -0 [1.0M +55.6 -0] |

Face View



Face View



CONNECTOR SPECIFICATION:

|                       |   |
|-----------------------|---|
| VOLTAGE RATING        | 60V AC/DC   |
| AMPERAGE RATING       | 4 AMPS  |
| PROTECTION CLASS      | IP67  |
| OPERATING TEMPERATURE | STATIC: -40°C TO +80°C<br>FLEXING: -20°C TO +80°C |
| UL CERTIFICATIONS     | NOT APPLICABLE                                    |
| CSA CERTIFICATIONS    | NOT APPLICABLE                                    |

| ITEM | COMPONENT                        | MATERIAL           | FINISH           |
|------|----------------------------------|--------------------|------------------|
| 1    | INSERT                           | POLYURETHANE (PUR) | BLACK            |
| 2    | CONTACT MATERIAL                 | COPPER ALLOY       | GOLD OVER NICKEL |
| 3    | COUPLING NUT                     | BRASS              | NICKEL PLATED    |
| 4    | OVERMOLD                         | TPU                | YELLOW           |
| 5    | CABLE 2x0.2 <sup>2</sup> /24 AWG | JACKET: PUR        | JACKET: VIOLET   |

|  |                                   |   |  |   |                                     |   |
|--|-----------------------------------|---|--|---|-------------------------------------|---|
| DESCRIPTION<br>EC NO: IP/G2012-0445<br>DRWN: BBRAUCH 28.02.12<br>CHKD: REISSNER<br>APPR: REISSNER 2010/01/28 | QUALITY SYMBOLS<br>▽ = 0<br>▽ = 0 | GENERAL TOLERANCES (UNLESS SPECIFIED)                               | DIMENSION STYLE<br>IN/MM                             | SCALE<br>2:1  | DESIGN UNITS<br>METRIC              | THIRD ANGLE PROJECTION  |
|  |                                   | 4 PLACES ± ---<br>3 PLACES ± ---<br>2 PLACES ± ---<br>1 PLACE ± 0.3 | mm INCH<br>± --- ± ---<br>± 0.1 ± 0.1<br>± 0.3 ± --- | APPROVED BY DATE<br>REISSNER 2010/01/28   | DRAWN BY DATE<br>BBRAUCH 2010/01/25 | CSE M12 5P BC MA STR<br>DSUB PUR XM SHLD YL BRA<br>M12 PROFIBUS CABLE |
| REV<br>2   | DESCRIPTION                       | DRAFT WHERE APPLICABLE MUST REMAIN WITHIN DIMENSIONS                | SEE TABLE  | MATERIAL NO.  | DOCUMENT NO.                        | SHEET NO.   |
|  |                                   |   | SIZE<br>A3   | THIS DRAWING CONTAINS INFORMATION THAT IS PROPRIETARY TO MOLEX INCORPORATED AND SHOULD NOT BE USED WITHOUT WRITTEN PERMISSION |                                     | SD-120098-034   |