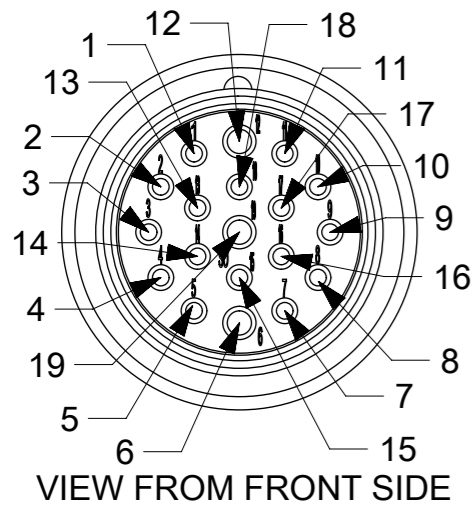


# M23 19P FEMALE

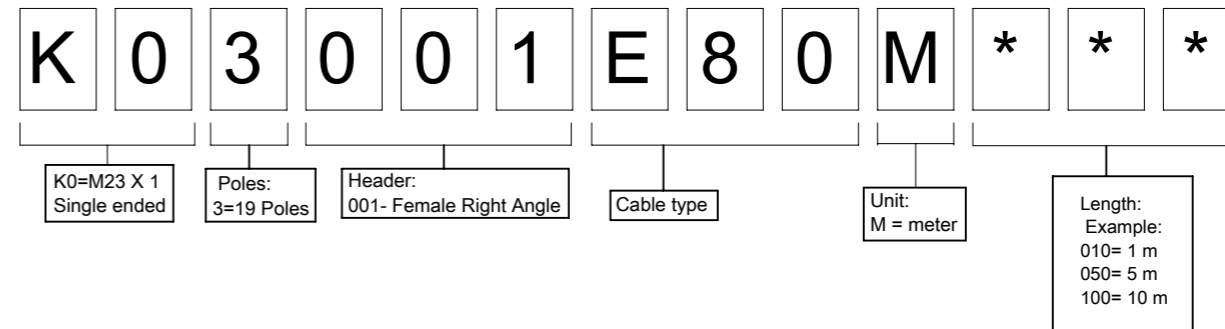


Pin	Wire color
1	VT
2	RD
3	GY
4	RD/BU
5	GN
6	BU
7	GY/PK
8	WH/GN
9	WH/YE
10	WH/GY
11	BK
12	GN/YE
13	YE/BN
14	BN/GN
15	WH
16	YE
17	PK
18	GY/BN
19	BN

## TECHNICAL INFORMATION :

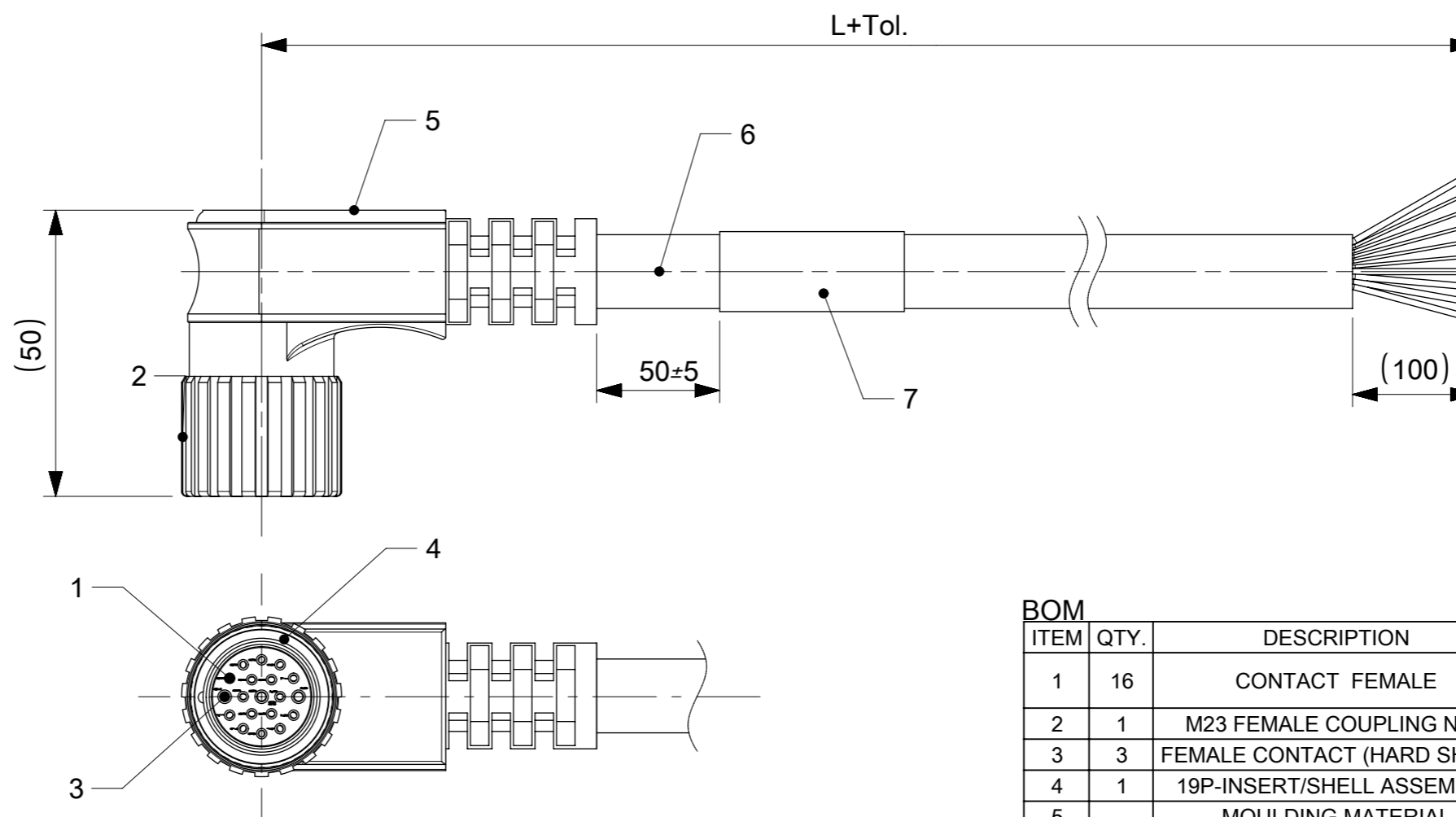
- NUMBER OF POSITIONS :6
- VOLTAGE : 63V AC/DV
- CURRENT : 6 A
- PROTECTION : IP67(CONNECTED)
- TEMPERATURE RANGE (FIXED) : -25°C TO +90°C

## PART No MATRIX



## CABLE TYPE :

CABLE TYPE	NO. OF WIRES	CROSS SECTION	CABLE JACKET	UL	CSA	STATIC: TEMP. / BENDING RADIUS	DYNAMIC: TEMP. / BENDING RADIUS	DRAG CHAIN	SHIELD
E80	19	0.34mm <sup>2</sup> /0.75mm <sup>2</sup>	PVC YELLOW	-	-	-25°C to +70°C, >10xO.D.	-5°C to +70°C, >15xO.D.	1 000 000 cycles, Velocity : 120m/min	YES



## BOM

ITEM	QTY.	DESCRIPTION	MATERIAL	FINISH/COLOR
1	16	CONTACT FEMALE	CuSn6	GOLD OVER NICKEL PLATED
2	1	M23 FEMALE COUPLING NUT	BRASS	Ni- PLATED
3	3	FEMALE CONTACT (HARD SHELL)	CuZn39Pb3F50	Ni2Au0.5
4	1	19P-INSERT/SHELL ASSEMBLY	-	-
5	-	MOULDING MATERIAL	TPU	BLACK
6	-	CABLE	PVC	YELLOW
7	1	LABEL	-	YELLOW

## CABLE LENGTH TOLERANCES

OVER [mm]	UP TO AND INCLUDING [mm]	TOLERANCES [mm]
0	305	+19
305	915	+45
915	1830	+56
1830	3660	+89
3660	7320	+165
7320	14640	+317
14640	30500	+610
30500	>	+2% of finished length

THIS DRAWING CONTAINS INFORMATION THAT IS PROPRIETARY TO MOLEX ELECTRONIC TECHNOLOGIES, LLC AND SHOULD NOT BE USED WITHOUT WRITTEN PERMISSION

SYMBOLS:  $\nabla = 0$ ,  $\nabla = 0$ ,  $\nabla = 0$ ,  $\nabla = 0$ ,  $\nabla = 0$ ,  $\nabla = 0$ ,  $\nabla = 0$ ,  $\nabla = 0$ ,  $\nabla = 0$ ,  $\nabla = 0$

DIMENSION UNITS: mm, SCALE: 1:1

GENERAL TOLERANCES (UNLESS SPECIFIED): ANGULAR TOL ± 1.0°, 4 PLACES ±, 3 PLACES ±, 2 PLACES ± 0.05, 1 PLACE ± 0.3, 0 PLACES ± 0.5

DRAFT WHERE APPLICABLE MUST REMAIN WITHIN DIMENSIONS

THIRD ANGLE PROJECTION

DRAWING: A3-SIZE, SERIES: 120094, MATERIAL NUMBER: SEE TABLE 1, CUSTOMER: GENERAL MARKET, SHEET NUMBER: 1 OF 1

EC NO: 608248, DRWN: SSM, 2018/06/28, CHK'D: SSM, 2018/11/27, APPR: RSILLER, 2018/11/27

INITIAL REVISION: DRWN: SSM, 2018/06/28, APPR: RSILLER, 2018/11/27

CURRENT REV DESC: INITIAL RELEASE

**molex**

M23 19P FE 90 XXM

PRODUCT CUSTOMER DRAWING

DOCUMENT NUMBER: 1200948057, DOC TYPE: PSD, DOC PART: 000, REVISION: A

TABLE 1

MOLEX P/N	ENGINEERING NO	L (mm)
1200948057	K03001E80M100	10000
1200360012	K03001E80M050	5000
1200948036	K03001E80M200	20000

DOCUMENT STATUS	P1	RELEASE DATE	2018/11/27	13:28:11
-----------------	----	--------------	------------	----------