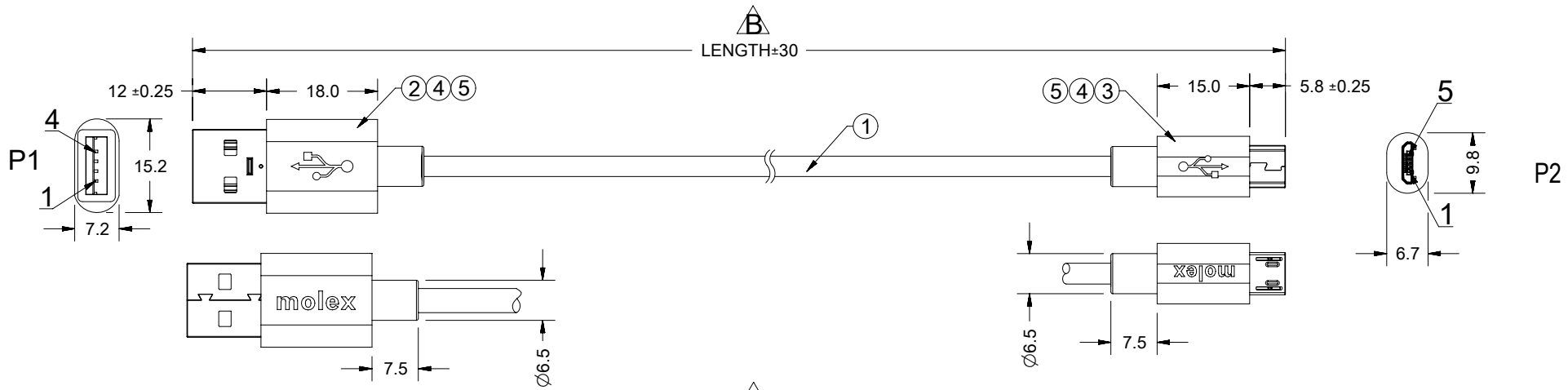


REVISIONS				
EC NO	DATE	REV	DESCRIPTION	CHANGER
CY19-5249	2019/4/8	B	UPDATE TOLERANCE±20 TO ±30 ADD CABLE OD	CISSY
CY19-5715	2019/8/26	C	ADD METAL SHELL ON CONNECTOR	CISSY
CY21-5626	2021/10/06	D	The raw cable supplier was changed.	CISSY



PART NO.	LENGTH	DESCRIPTION	CABLE
687680398	L=1000MM	USB2.0 A to Micro B 2.0 L=1M	USB CABLE,UL2725 28AWG*1P+26AWG*2C+AEB , OD3.8MM JACKET BLACK
687680399	L=1500MM	USB2.0 A to Micro B 2.0 L=1.5M	USB CABLE,UL2725 28AWG*1P+24AWG*2C+AEB , OD4.5MM JACKET BLACK
687680400	L=2000MM	USB2.0 A to Micro B 2.0 L=2M	USB CABLE,UL2725 28AWG*1P+24AWG*2C+AEB , OD4.5MM JACKET BLACK

SHELL	BRAID WIRE	SHELL
4	BLACK	5
3	GREEN	3
2	WHITE	2
1	RED	1
P1	WIRE COLOR	P2

PIN ASSIGNMENTS

ITEM	DESCRIPTION	QTY'
5	OUTMOLDED PVC BLACK	A/R
4	INNER MOLDED LDPE	A/R
3	MICRO 5P USB B PLUG, CONTACTS: GOLD 1u" PLATED,SHELL: NICKEL PLATED,	1
2	USB A TYPE PLUG, CONTACTS: GOLD 1u" PLATED,SHELL: NICKEL PLATED,ASSY	1
1	USB CABLE,SEE TABLE 1	1

NOTE:  
 1. OUTMOLDED WITH BLACK PVC RESIN  
 INNER MOLDER WITH PE RESIN  
 2. ELECTRICAL PERFORMANCE:  
 2.1 RATED CURRENT:1.0A  
 2.2 RATED VOLTAGE:30V AC  
 2.3 THIS PRODUCT MUST MEET USB 2.0 STANDARD.  
 3.THIS PRODUCT MUST MEET THE EU RoHS CHEMICAL SUBSTANCES SPECIFICATION FOR PRODUCTS (2011/65/EU)  
 4. APPLICATION CONDITION:  
 4.1 WORKING CONDITION (TEMPERATURE:0°----+50°)  
 4.2 STORE CONDITION (TEMPERATURE:-20°----+60°)

SYMBOLS		THIS DRAWING CONTAINS INFORMATION THAT IS PROPRIETARY TO MOLEX ELECTRONIC TECHNOLOGIES, LLC AND SHOULD NOT BE USED WITHOUT WRITTEN PERMISSION	
▽ = 0	DIMENSION UNITS	SCALE	CURRENT REV DESC:
▽ = 0	mm	1:1	
▽ = 0	GENERAL TOLERANCES (UNLESS SPECIFIED)		EC NO: 680703
▽ = 0	ANGULAR TOL ± °		DRWN: CWANG49 2021/10/07
▽ = 0	4 PLACES	±	CHK'D: CWANG49 2021/10/07
▽ = 0	3 PLACES	±	APPR: LHLIU 2021/10/09
▽ = 0	2 PLACES	± 0.25	INITIAL REVISION:
▽ = 0	1 PLACE	± 0.5	DRWN: ZZXIAN 2018/08/16
▽ = 0	0 PLACES	±	APPR: LHLIU 2018/09/14
▽ = 0	DRAFT WHERE APPLICABLE MUST REMAIN WITHIN DIMENSIONS		THIRD ANGLE PROJECTION
▽ = 0			DRAWING
		SERIES	MATERIAL NUMBER
		A4-SIZE	201241
		CUSTOMER	GENERAL MARKET
		SHEET NUMBER	1 OF 1

<b>molex</b>		
USB2.0 A TO MICRO B 2.0		
PRODUCT CUSTOMER DRAWING		
DOCUMENT NUMBER	DOC TYPE	DOC PART
2012410605	PSD	000
REVISION		
D		

DOCUMENT STATUS	P1	RELEASE DATE	2021/10/09	01:17:30
-----------------	----	--------------	------------	----------