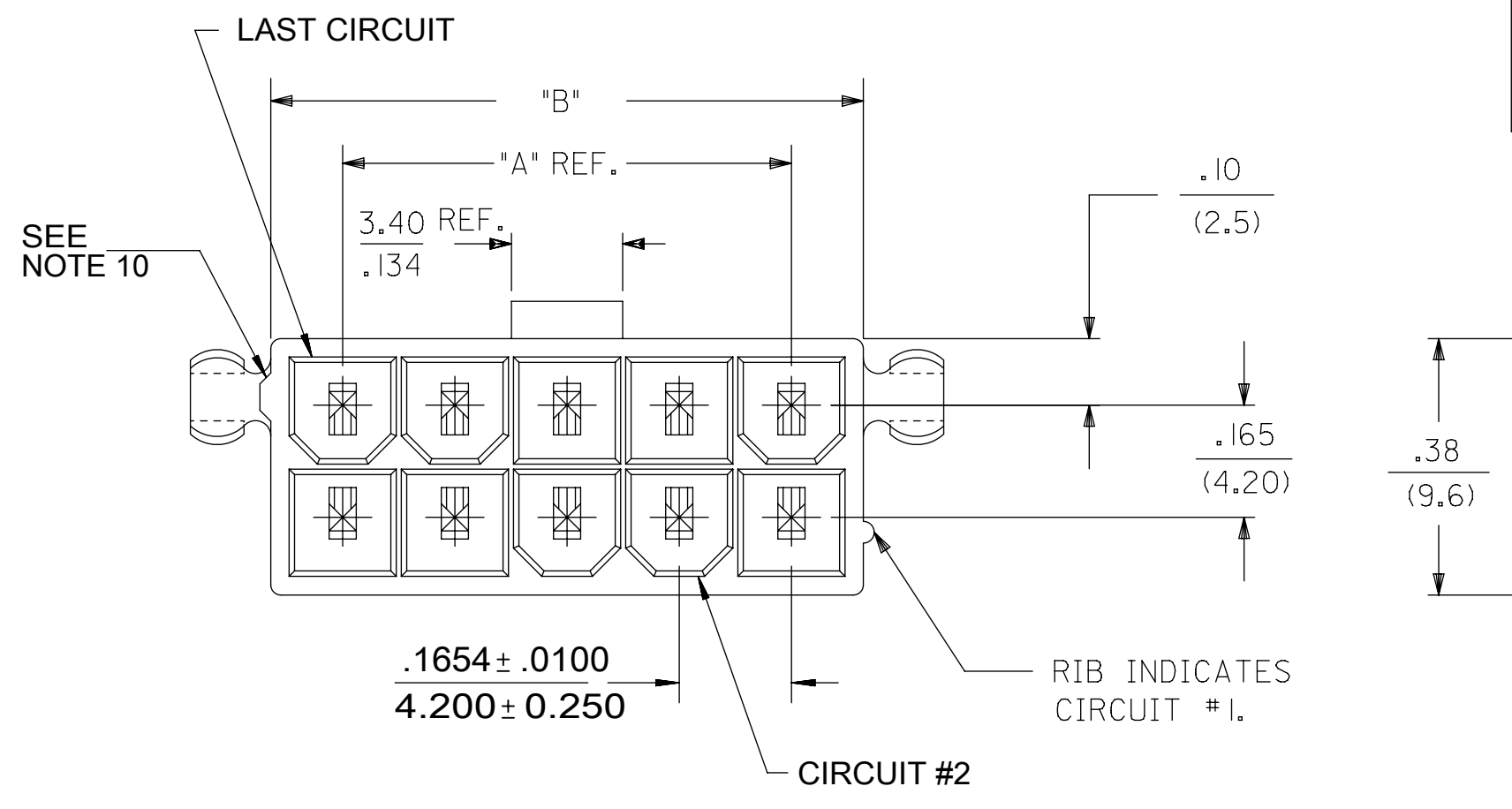


| CIRCUIT SIZE | DIM. "A" | DIM. "B" | DIM. "C" |
|--------------|-------------|-------------|---------------|
| 2 | — | .21 (5.4) | .370 (9.40) |
| 4 | .17 (4.2) | .38 (9.6) | .535 (13.60) |
| 6 | .33 (8.4) | .54 (13.8) | .701 (17.80) |
| 8 | .50 (12.6) | .71 (18.0) | .866 (22.00) |
| 10 | .66 (16.8) | .87 (22.2) | 1.031 (26.20) |
| 12 | .83 (21.0) | 1.04 (26.4) | 1.197 (30.40) |
| 14 | .99 (25.2) | 1.20 (30.6) | 1.362 (34.60) |
| 16 | 1.16 (29.4) | 1.37 (34.8) | 1.528 (38.80) |
| 18 | 1.32 (33.6) | 1.54 (39.0) | 1.693 (43.00) |
| 20 | 1.49 (37.8) | 1.70 (43.2) | 1.858 (47.20) |
| 22 | 1.65 (42.0) | 1.87 (47.4) | 2.024 (51.40) |
| 24 | 1.82 (46.2) | 2.03 (51.6) | 2.189 (55.60) |



- NOTES:
- HOUSING MATERIAL:
V-2 = NYLON 6/6, UNFILLED U.L. 94V-2, COLOR: NATURAL
V-0 = NYLON 6/6, UNFILLED U.L. 94V-0, COLOR: NATURAL
TERMINAL MATERIAL: COPPER ALLOY.
 - TERMINAL PLATING:
TIN = .000100/(.00254) MIN. MATTE TIN OVER .000050/(.00127) MIN. NICKEL OVERALL
GOLD = .000030/(.00080) MIN. SELECT GOLD, .000100/(.00254) MIN. MATTE TIN OVER .000050/(.00127) MIN. NICKEL OVERALL
 - PRODUCT SPECIFICATION:
TRAY :PS-45750-001
T&R : 55660000-RPK
 - PACKAGING SPECIFICATION: PK-5566-001.
 - PART MATES WITH MINI-FIT RECEPTACLE NO. 5557
 - PART ARE NOT TO BE MATED OR UN-MATED WHILE CIRCUITS ARE LIVE
 - PARTS TO HAVE "HCS+" MARKING
 - PART CONFORMS TO CLASS B OF COSMETIC SPECIFICATION PS-45499-002 WITH THE EXCEPTION OF DISCOLORATION, FLASH, AND SINK MEET CLASS "C" REQUIREMENTS.
 - PART IS NOT DESIGNED FOR CURRENT SHARING.
 - ANTI-SHINGLING RIB MAY OR MAY NOT APPEAR ON HOUSINGS.
 - LOCATION OF .118/3.00 DIAMETER HOLES ON P.C. BOARD IS FOR OPTIONAL PEGS.
 - TEXT ON PART IS FOR REFERENCE ONLY. TEXT AND TEXT LOCATION MAY VARY DEPENDING ON PART NUMBER AND/OR TOOL.

THIS DRAWING CONTAINS INFORMATION THAT IS PROPRIETARY TO MOLEX ELECTRONIC TECHNOLOGIES, LLC AND SHOULD NOT BE USED WITHOUT WRITTEN PERMISSION

| | | | | | |
|-----------------|---|---------------------------------------|------------------------|-----------------|-------|
| QUALITY SYMBOLS | 2021/09/02 2021/09/08 2021/09/08 | GENERAL TOLERANCES (UNLESS SPECIFIED) | | DIMENSION UNITS | SCALE |
| | | MM | INCH | IN/MM | 4:1 |
| ▽ = 0 | EC NO: 676792 DRWN: HPANT8 CHKD: YXZHENG APPR: YXZHENG | 4 PLACES ± ± | DRWN BY | DATE | |
| ▽ = 0 | | 3 PLACES ± ± | TGREGORI | 2006/04/27 | |
| ▽ = 0 | | 2 PLACES ± 0.25 ± | CHK'D BY | DATE | |
| ▼ = 0 | | 1 PLACES ± 0.5 ± | JCOMERCI | | |
| ▽ = 0 | | 0 PLACES ± ± | APPR BY | DATE | |
| ⊠ = 0 | | ANGULAR TOL = 0.5 | FSMITH | 2010/04/09 | |
| ■ = 0 | DRAFT WHERE APPLICABLE MUST REMAIN WITHIN DIMENSIONS | DRAWING SIZE | THIRD ANGLE PROJECTION | | |
| ▽ = 0 | | C | | | |

| | | |
|--------------------------|-----------------|-----------------------|
| PRODUCT CUSTOMER DRAWING | | |
| SERIES | MATERIAL NUMBER | CUSTOMER |
| 46015 | SEE CHART | GENERAL MARKET |
| DOCUMENT NUMBER | DOC TYPE | DOC PART SHEET NUMBER |
| SD-46015-001 | PSD | 000 1 OF 2 |

| ITEM NO. | CKT. SIZE | HOUSING MATERIAL | PEGS | PLATING | PACKAGING |
|------------|-----------|------------------|------|---------|-----------|
| 46015-0202 | 2 | V-0 | NO | TIN | TRAY |
| 46015-0203 | | | YES | | |
| 46015-0206 | | V-2 | NO | | |
| 46015-0207 | | | YES | | |
| 46015-0209 | V-0 | YES | GOLD | | |
| 46015-0212 | | NO | | | |
| 46015-0402 | 4 | V-0 | NO | TIN | |
| 46015-0403 | | | YES | | |
| 46015-0406 | | V-2 | NO | | |
| 46015-0407 | | | YES | | |
| 46015-0409 | V-0 | YES | GOLD | | |
| 46015-0412 | | NO | | | |
| 46015-0602 | 6 | V-0 | NO | TIN | |
| 46015-0603 | | | YES | | |
| 46015-0606 | | V-2 | NO | | |
| 46015-0607 | | | YES | | |
| 46015-0609 | V-0 | YES | GOLD | | |
| 46015-0612 | | NO | | | |
| 46015-0802 | 8 | V-0 | NO | TIN | |
| 46015-0803 | | | YES | | |
| 46015-0806 | | V-2 | NO | | |
| 46015-0807 | | | YES | | |
| 46015-0809 | V-0 | YES | GOLD | | |
| 46015-0812 | | NO | | | |
| 46015-1002 | 10 | V-0 | NO | TIN | |
| 46015-1003 | | | YES | | |
| 46015-1006 | | V-2 | NO | | |
| 46015-1007 | | | YES | | |
| 46015-1009 | V-0 | YES | GOLD | | |
| 46015-1012 | | NO | | | |
| 46015-1202 | 12 | V-0 | NO | TIN | |
| 46015-1203 | | | YES | | |
| 46015-1206 | | V-2 | NO | | |
| 46015-1207 | | | YES | | |
| 46015-1209 | V-0 | YES | GOLD | | |
| 46015-1212 | | NO | | | |

| ITEM NO. | CKT. SIZE | HOUSING MATERIAL | PEGS | PLATING | PACKAGE |
|------------|-----------|------------------|------|---------|---------|
| 46015-0820 | 8 | V-0 | NO | GOLD | T&R |

| ITEM NO. | CKT SIZE | HOUSING MATERIAL | PEGS | PLATING | PACKAGING | |
|------------|----------|------------------|------|---------|-----------|------|
| 46015-1402 | 14 | V-0 | NO | TIN | TRAY | |
| 46015-1403 | | | YES | | | |
| 46015-1406 | | | V-2 | | | NO |
| 46015-1407 | | YES | | | | |
| 46015-1409 | | V-0 | | | | YES |
| 46015-1412 | | | NO | | | |
| 46015-1602 | 16 | V-0 | NO | TIN | | |
| 46015-1603 | | | YES | | | |
| 46015-1606 | | | V-2 | | | NO |
| 46015-1607 | | YES | | | | |
| 46015-1609 | | V-0 | | | | YES |
| 46015-1612 | | | NO | | | |
| 46015-1802 | 18 | V-0 | NO | TIN | | |
| 46015-1803 | | | YES | | | |
| 46015-1806 | | | V-2 | | | NO |
| 46015-1807 | | YES | | | | |
| 46015-1809 | | V-0 | | | | YES |
| 46015-1812 | | | NO | | | |
| 46015-2002 | 20 | V-0 | NO | TIN | | |
| 46015-2003 | | | YES | | | |
| 46015-2006 | | | V-2 | | | NO |
| 46015-2007 | | YES | | | | |
| 46015-2009 | | V-0 | | | | YES |
| 46015-2012 | | | NO | | | |
| 46015-2202 | 22 | V-0 | NO | TIN | | |
| 46015-2203 | | | YES | | | |
| 46015-2206 | | | V-2 | | NO | |
| 46015-2207 | | YES | | | | |
| 46015-2209 | | V-0 | | | YES | GOLD |
| 46015-2212 | | | NO | | | |
| 46015-2402 | 24 | V-0 | NO | TIN | | |
| 46015-2403 | | | YES | | | |
| 46015-2406 | | | V-2 | | NO | |
| 46015-2407 | | YES | | | | |
| 46015-2409 | | V-0 | | | YES | GOLD |
| 46015-2412 | | | NO | | | |

| RELEASE STATUS | P1 | RELEASE DATE | 2021/09/08 | 04:36:59 |
|----------------|----|--------------|------------|----------|
| 12 | | 11 | | 10 |

| | | | | | | | | | | | |
|----------------------------|---|---------------------------------------|-------------------|-----------------|--------------|-------|-------------------------------|---|---|--|--|
| QUALITY SYMBOLS | THIS DRAWING CONTAINS INFORMATION THAT IS PROPRIETARY TO MOLEX ELECTRONIC TECHNOLOGIES, LLC AND SHOULD NOT BE USED WITHOUT WRITTEN PERMISSION | | | | | | | | | | |
| | EC NO: 676792 DRWN: HPAN18 CHKD: YXZHENG APPR: YXZHENG | GENERAL TOLERANCES (UNLESS SPECIFIED) | | DIMENSION UNITS | | SCALE | | | | | |
| | | | MM | INCH | IN/MM | | 4:1 | | | | |
| | | 4 PLACES ± | | TGREGORI | | DATE | | VERTICAL HEADER ASSEMBLY DUAL ROW MINI-FIT PLUS HCS SERIES | | | |
| | | 3 PLACES ± | | JCOMERCI | | DATE | | | | | |
| | 2 PLACES ± 0.25 | | APPR BY | | DATE | | PRODUCT CUSTOMER DRAWING | | | | |
| | 1 PLACES ± 0.5 | | FSMITH | | 2010/04/09 | | | | | | |
| | 0 PLACES ± | | ANGULAR TOL = 0.5 | | DRAWING SIZE | | THIRD ANGLE PROJECTION | | SERIES: 46015 MATERIAL NUMBER: SEE CHART CUSTOMER: GENERAL MARKET | | |
| | DRAFT WHERE APPLICABLE MUST REMAIN WITHIN DIMENSIONS | | C | | | | DOCUMENT NUMBER: SD-46015-001 | | DOC TYPE: PSD DOC PART: 000 SHEET NUMBER: 2 OF 2 | | |