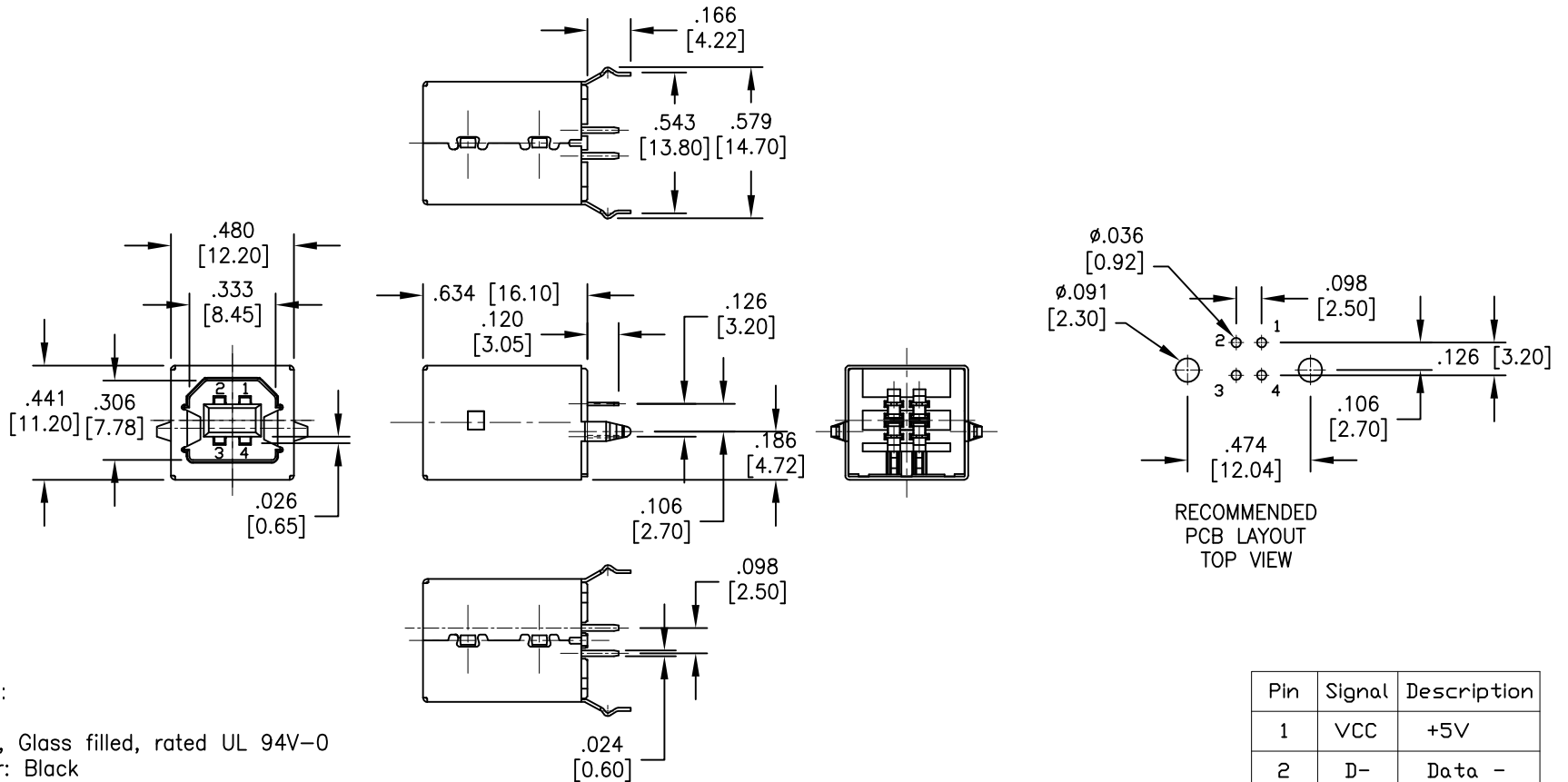


APPROVED: _____

DATE: _____ TITLE: _____

Rev	AWO #	Description	Date	Appr
-		RELEASED	12/3/04	
A		REDRAWN	6/8/11	
B		UPDATED DIM.	9/14/17	HR/TY



SPECIFICATIONS:

Material:

Insulator: PBT, Glass filled, rated UL 94V-0

Insulator color: Black

Contacts: Phosphor Bronze

Shell: Copper Alloy, nickel plated

Plating:

Gold flash over Nickel underplate on contact area, Tin over

Copper underplate on PCB tails

Electrical:

Voltage rating: 30 VAC

Current rating: 1.5 Amp

Contact resistance: 30 mohms max.

Insulation resistance: 1000 Mohms min.

Dielectric withstanding voltage: 500 VAC

Temperature Rating:

Operating temperature: -20°C to +60°C

Environmental:

Lead free, RoHS compliant.



Pin	Signal	Description
1	VCC	+5V
2	D-	Data -
3	D+	Data +
4	GND	Ground

UNLESS OTHERWISE SPECIFIED ALL DIMENSIONS ARE INCHES [MM] TOLERANCES: EXCEPT AS NOTED			ADAM TECH 909 Rahway Avenue, Union, NJ 07083 Phone: 908-687-5000 Fax: 908-687-5710		
INCHES					
HOLES			TITLE		
.X ± .10 Ø.X ± .10			UNIVERSAL SERIAL BUS		
.XX ± .020 Ø.XX ± .015			SINGLE PORT, VERTICAL, PCB		
.XXX ± .015 Ø.XXX ± .010			SIZE		
APPROVALS			PART NO.		
DATE			USB-B-S-VT		
DRAWN			REV.		
SS			B		
CHECKED			REF:		
APPROVED			S00005C		
			SCALE: NTS		
			SHEET 1 OF 1		