

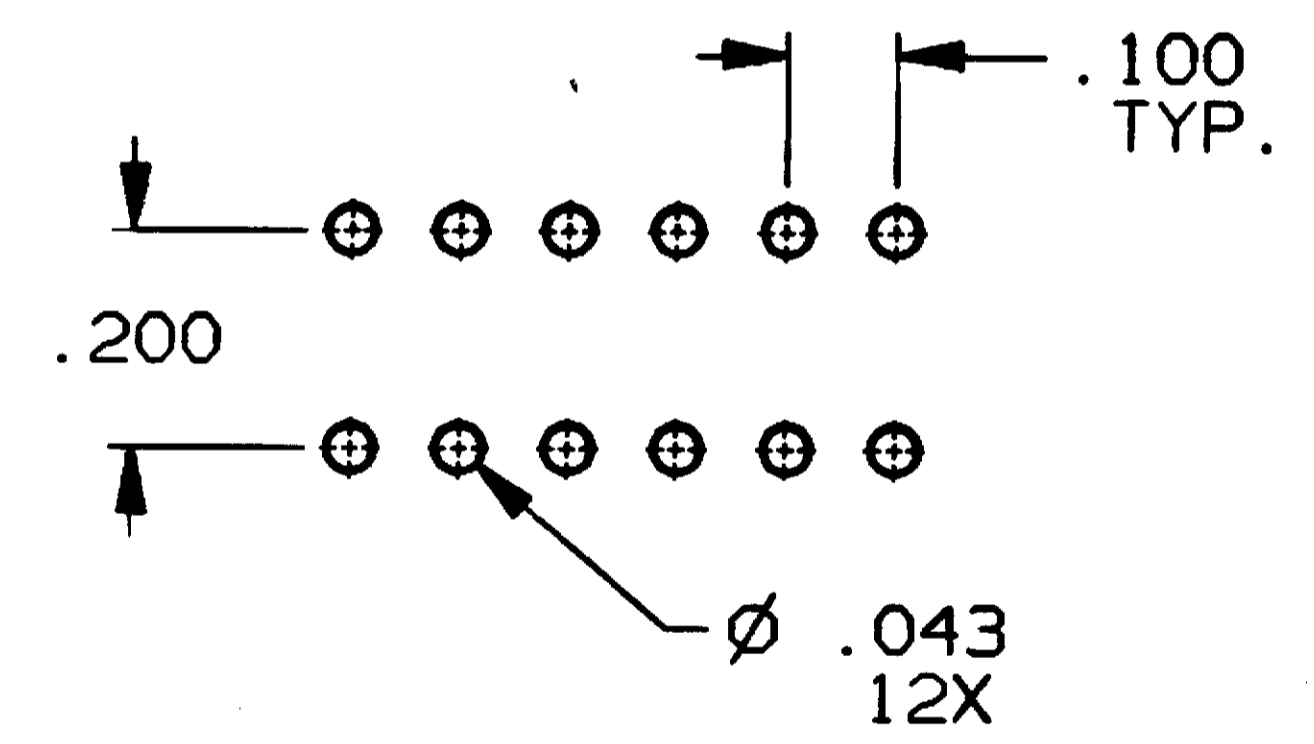
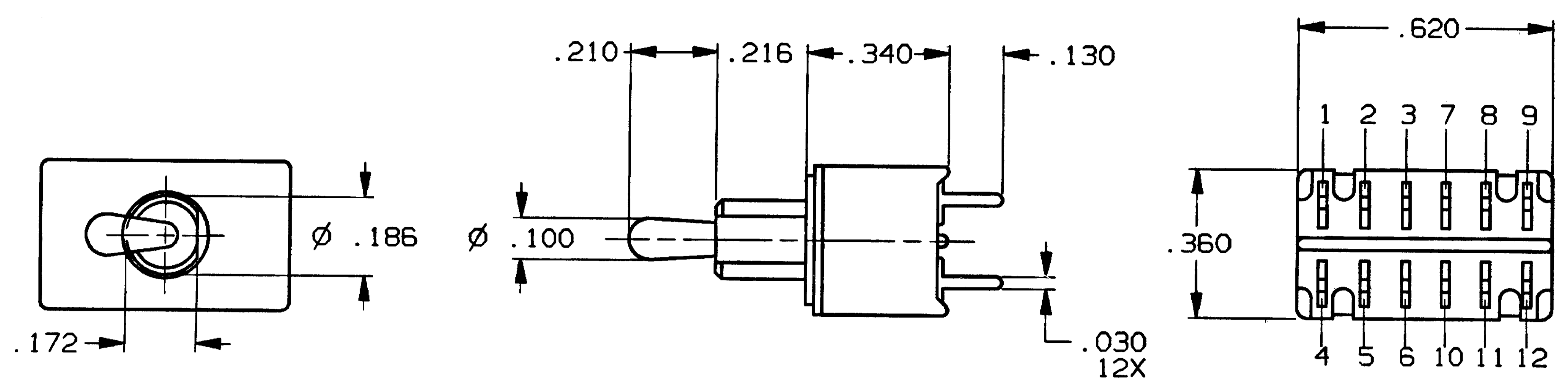
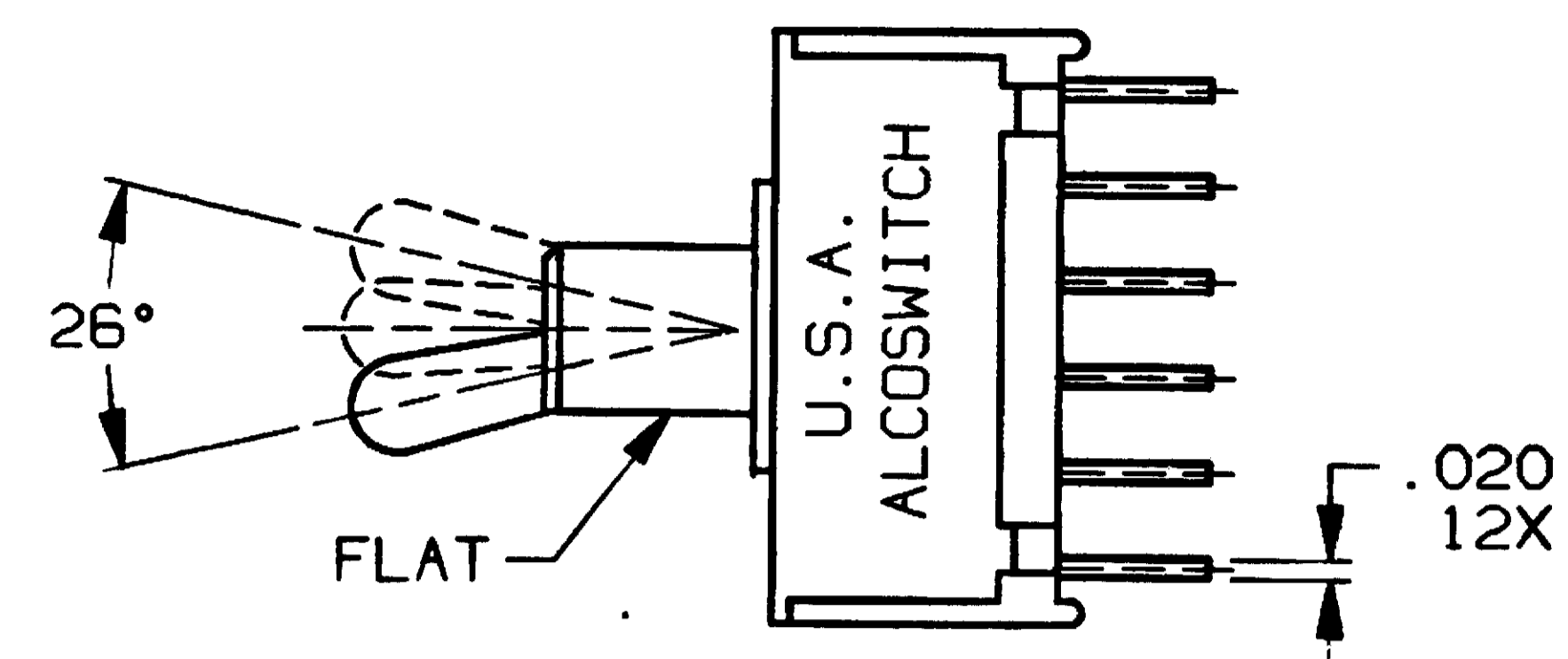
4

3

2

1

CONVERSION CHART	
INCH	MM
.002	0.05
.010	0.25
.020	0.51
.030	0.76
.043	1.09
.100	2.54
.130	3.30
.172	4.37
.187	4.75
.200	5.08
.210	5.33
.216	5.49
.340	8.64
.360	9.14
.620	15.74



RECOMMENDED HOLE LAYOUT
TOLERANCE ±.002 UNLESS OTHERWISE NOTED

SPECIFICATIONS:

MATERIALS:
CASE: HIGH TEMPERATURE POLYESTER
FRAME: STEEL, TIN PLATED.
ACTUATOR: COPPER ALLOY, NICKEL PLATED.
MOVABLE CONTACT: COPPER ALLOY, GOLD OVER NICKEL PLATE.
STATIONARY CONTACT: COPPER ALLOY, GOLD OVER NICKEL PLATE.
TERMINALS: COPPER ALLOY, TIN LEAD PLATED.
TERMINAL SEAL: EPOXY

ELECTRICAL:
CONTACT RATING: 0.4 VA @ 20 VDC OR PEAK AC
INITIAL CONTACT RESISTANCE: 20 MILLIOHMS MAX.
INSULATION RESISTANCE: 1,000 MEGOHMS AT 500 VDC MIN.
DIELECTRIC STRENGTH: 1,000 VOLTS RMS AT SEA LEVEL
LIFE EXPECTANCY: 80,000 CYCLES (2 POSITION)
60,000 CYCLES (3 POSITION).

ENVIRONMENTAL:
OPERATING TEMPERATURE: -22°F TO +185°F (-30°C TO +85°C)
STORAGE TEMPERATURE: -67°F TO +185°F (-55°C TO +85°C)

NOTES:

1. INTERPRET DRAWING PER ASME Y14.5M-1994.

TERMINALS CONNECTED WHEN TOGGLE IN POSITIONS SHOWN.			
SWITCH ACTION CODE (*)	FLAT	FLAT	FLAT
N	2 TO 3 5 TO 6 8 TO 9 11 TO 12	NONE	2 TO 1 5 TO 4 8 TO 7 11 TO 10
P	2 TO 3 5 TO 6 8 TO 9 11 TO 12	OFF	2 TO 1 5 TO 4 8 TO 7 11 TO 10
R	2 TO 3 5 TO 6 (MOM) 8 TO 9 11 TO 12	NONE	2 TO 1 5 TO 4 8 TO 7 11 TO 10
PA	2 TO 3 5 TO 6 8 TO 9 11 TO 12	2 TO 3 5 TO 6 8 TO 7 11 TO 10	2 TO 1 5 TO 4 8 TO 7 11 TO 10

NOTE:
DESIGNATION NUMBERS ARE FOR REFERENCE ONLY AND DO NOT APPEAR ON THE SWITCHES.

2

OUTLINE DRAWING
SPECIFICATIONS ARE SUBJECT TO CHANGES WITHOUT NOTICE

THIS IS A C.A.D. GENERATED DRAWING. DO NOT MAKE MANUAL REVISIONS TO MASTER.

REV	2
REVISIONS	REVISED & REDRAWN ECO# 392-95 SEP 6-22-95 APP'D: [Signature]

TOLERANCES (EXCEPT AS NOTED) ANGULAR = ±1° DECIMAL .XX = DECIMAL .XXX = ±.010 DECIMAL .XXXX = AUGAT CONFIDENTIAL This document contains information which is the exclusive property of Augat Inc. Distribution, reproduction or use by others is not permitted without the expressed written consent of Augat Inc.	THIRD ANGLE PROJECTION	UNLESS OTHERWISE SPECIFIED DIMENSIONS ARE IN INCHES DO NOT SCALE PRINT	ORIGINAL DATE OF DRAWING: 5-22-80
	FILE NAME: 40031OUT DIRECTORY: TINSWCH	DRAWN: R.WICIEL DATE: 5-22-80	MATERIAL: SEE SPECIFICATIONS
FINISH: SEE SPECIFICATIONS	APPROVED: KJ DATE: 5-22-80	CODE IDENT. NO. 91506 DWG. SIZE C	AUGAT 452 JOHN DIETSCH BLVD. ATTLEBORO FALLS, MASS. 02763 INC.
NEXT ASSY:	TITLE: OUTLINE DRAWING SUBMINIATURE TOGGLE SWITCH 4 POLE - P.C. (TT41(*)G-PC-1)	DWG. NO. 40031SD PRODUCT CODE: A51	REV. 2

DWG. NO.	40031SD	REV.	2
SCALE:	SHEET 1 OF 1		